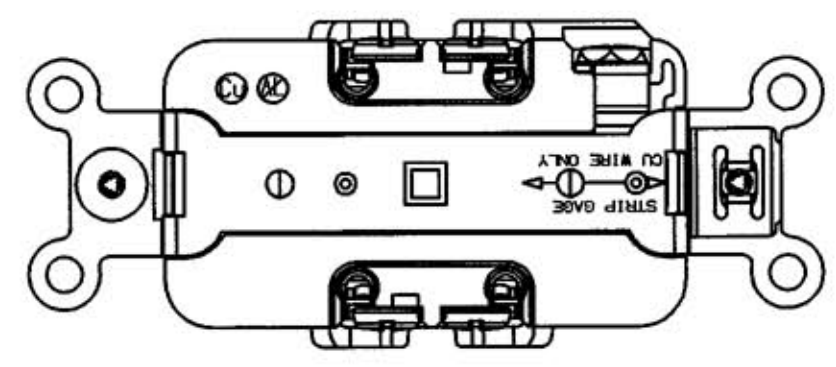
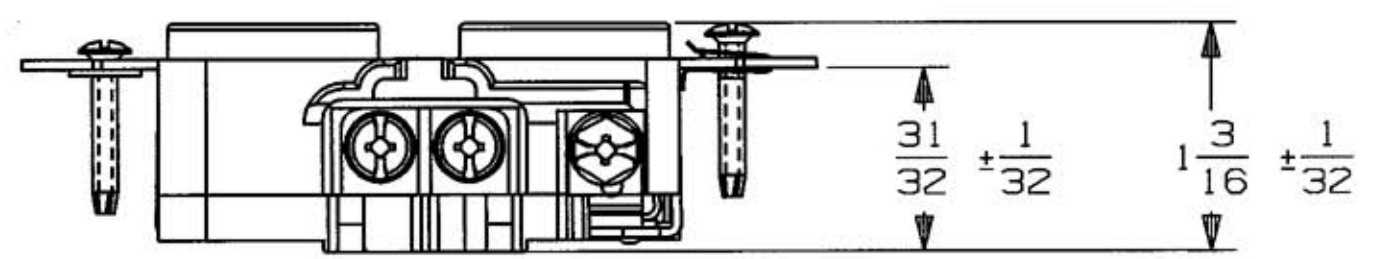
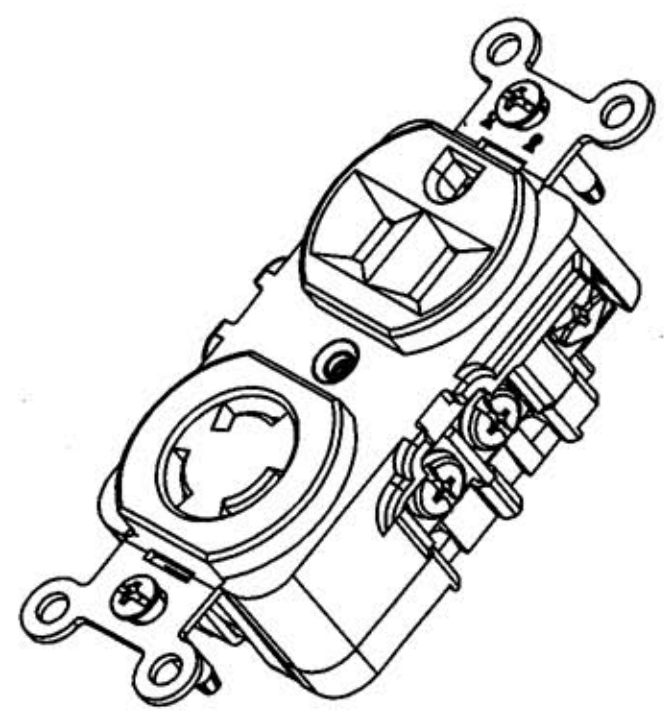
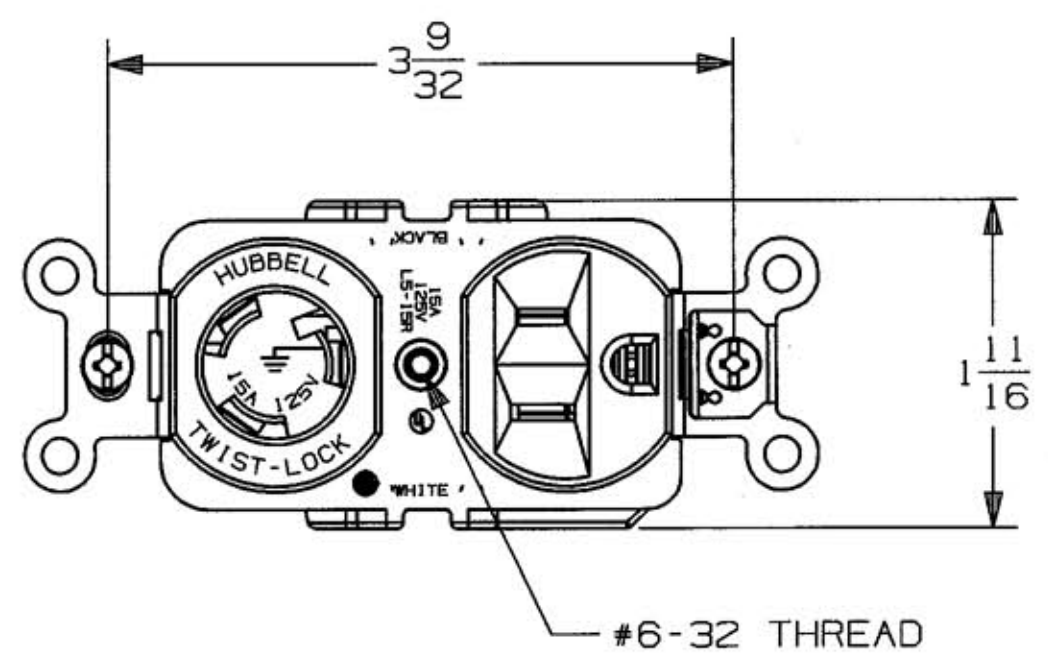


M-4394 3



CATALOG NUMBER	BASE CONFIGURATION	BARRIER	FEED CONFIGURATION
HBL4792	BACK AND SIDE WIRE	NONE	1 FEED 1 RETURN
HBL4794	SIDE WIRE ONLY	1	2 FEEDS 1 RETURN
HBL4795	SIDE WIRE ONLY	2	2 FEEDS 2 RETURNS
HBL7371	SIDE WIRE ONLY	1	2 FEEDS 1 RETURN

DESCRIPTION	MATERIAL	FINISH
BODY & BASE	PET	
MOUNTING BRIDGE	.050 BRASS	
RIVET	BRASS	
5 CONTACT SPRINGS	.031BRASS	
1 CONTACT SPRING	.031 BRONZE	
BINDING PLATE	.031 BRASS	NICKEL PLATE
BINDING PLATE	.031 BRASS	
SPLIT BINDING PLATE	.031 BRASS	NICKEL PLATE
SPLIT BINDING PLATE	.031 BRASS	
BARRIER	PHENOLIC	
2 BINDING SCREWS	BRASS	
2 BINDING SCREWS	BRASS	NICKEL PLATE
HEX GROUND SCREW	BRASS	GREEN

SYM	REVISIONS	APP	DATE
3	CHANGE VIEWS TO SHOW TRI-DRIVE SCREWS.DCN10294 GPK	DVB	11/5/02
2	REDRAWN TO CAD TO INCLUDE NEW HBL CAT NOS PER ECN 5805	PJT	2-9-98

THE DESIGN AND DIMENSIONS OF THE PRODUCT SHOWN ON THIS DRAWING ARE SUBJECT TO CHANGE WITHOUT NOTICE

TITLE 15A 125V 3 WIRE GROUNDING COMBINATION STRAIGHT BLADE & TWIST LOCK SLOTS DUPLEX RECEPTACLE

TOLERANCES UNLESS OTHERWISE SPECIFIED	WIRING DEVICE-KELLEMS HUBBELL INCORPORATED BRIDGEPORT, CT	
FRACTIONS ± 1/64	DR. BY PJT	APP. BY
DECIMALS ± .005	TR. BY	SCALE 1:1
ANGLES ± 2°	CHK'D BY	DATE 2-9-98

DIMENSION SHEET FOR CAT. NO. SEE TABLE

REPAIRABLE NON-REPAIRABLE

B M-4394

3