

NQ/NQM Panelboards and QONQ Load Centers Information Manual

**Para los tableros de alumbrado NQ/NQM y
centros de carga QONQ**

Boletín de instrucciones

**Pour panneaux de distribution NQ/NQM et
centres de distribution QONQ**

Directives d'utilisation



Instruction Bulletin

Boletín de instrucciones

Directives d'utilisation

80043-712-06 Rev. 04

02/2019

Retain for future use. /

Conservar para uso futuro. /

À conserver pour usage ultérieur.



by **Schneider** Electric

NQ/NQM Panelboards and QONQ Load Centers

Information Manual

Class 1640

ENGLISH

Instruction Bulletin

80043-712-06 Rev. 04

02/2019

Retain for future use.



by Schneider Electric

Hazard Categories and Special Symbols



Read these instructions carefully and look at the equipment to become familiar with the device before trying to install, operate, service, or maintain it. The following special messages may appear throughout this bulletin or on the equipment to warn of potential hazards or to call attention to information that clarifies or simplifies a procedure.

The addition of either symbol to a “Danger” or “Warning” safety label indicates that an electrical hazard exists which will result in personal injury if the instructions are not followed.

This is the safety alert symbol. It is used to alert you to personal injury hazards. Obey all safety messages that follow this symbol to avoid possible injury or death.

DANGER

DANGER indicates an imminently hazardous situation which, if not avoided, **will result in death or serious injury.**

WARNING

WARNING indicates a potentially hazardous situation which, if not avoided, **can result in death or serious injury.**

CAUTION

CAUTION indicates a potentially hazardous situation which, if not avoided, **can result in minor or moderate injury.**

NOTICE

NOTICE is used to address practices not related to physical injury. The safety alert symbol is not used with this signal word.

NOTE: Provides additional information to clarify or simplify a procedure.

Please Note

Electrical equipment should be installed, operated, serviced, and maintained only by qualified personnel. No responsibility is assumed by Schneider Electric for any consequences arising out of the use of this material.

Table of Contents

Introduction	5
Safety Precautions	5
Installation	6
Interior Mounting for Square D Brand Enclosures	6
Surface Mounting (Enclosure Mounted on Wall)	7
Flush Mounting (Enclosure Recessed in Wall)	7
Neutral Bonding Strap/Cable Installation	9
100 or 250 A Maximum NQ Panelboards	9
400 or 600 A Maximum NQ Panelboards and QONQ Load Centers	11
QO and QOB Circuit Breaker Installation and Removal	13
QO and QOB Breaker Installation	14
QO and QOB Breaker Removal	14
Circuit Breaker Reset Instructions	16
Interior Trim Preparation	17
Appendix 1: Specifications	18
Typical Wiring	18
Integral Main or Sub-Feed:	
DJ, FI, KI, H, J, LA, LC, LH, QB, QD, QG, QJ, QO(B)VH	19
Panelboard Ratings	23
CE Marking	33
Appendix 2: Accessory Kits	34
Equipment Ground Bar Kits	34
Oversized Lug Kits for 100–250 A Panelboards	35
Sub-Feed Lug Kits for 100–400 A Panelboards	35
Main Lug Kits	36

List of Tables

Table 1:	Panelboard Typical Wiring	18
Table 2:	Series Connected Breaker Ratings (RMS Symmetrical)	23
Table 3:	NQ Panel Mission Critical Breaker Selectivity	38
Table 4:	Short Circuit Current Rating for Main Lug Interiors with Sub-Feed or Feed-Through Lugs	39
Table 5:	Equipment Ground Bar Kits Specifications	40
Table 6:	Oversized Lug Kits for 100–250 A Panelboards Specifications	41
Table 7:	Sub-Feed Lug Kits for 100–400 A Panelboards Specifications	41
Table 8:	Mechanical Lug Kits — Aluminum	42
Table 9:	Mechanical Lug Kits — Copper	42
Table 10:	Versa-Crimp® Compression Lug Kits — Aluminum	42
Table 11:	Versa-Crimp® Compression Lug Kits — Copper	43

List of Figures

Figure 1:	Interior Mounting of Square D Brand Enclosures	8
Figure 2:	Bonding Strap Installation — 100 or 250 A Maximum NQ Panelboards	11
Figure 3:	Bonding Cable Installation — 400 or 600 A Maximum NQ Panelboards and QONQ Load Centers	12
Figure 4:	QO and QOB Circuit Breaker Installation and Removal	15
Figure 5:	Circuit Breaker Handle Positions	16
Figure 6:	Interior Trim Diagram	17
Figure 7:	NQ/NQM 100–225 A Main Lugs or 100–250 A Main Breaker Diagram	19
Figure 8:	NQ Panelboard or QONQ Load Center 400–600 A Main Lugs or Main Circuit Breaker with or without Feed-Through Lugs Diagram	20
Figure 9:	NQ Panelboard or QONQ Load Center 400–600 A Main Circuit Breaker with Feed-Through Lugs or Sub-Feed Circuit Breakers Diagram	21
Figure 10:	Typical NQ Panelboard with Split Bus Diagram	22

Introduction

This bulletin contains instructions for installing Square D™ brand NQ circuit breaker panelboards and QONQ load centers. These panelboards and load centers are Underwriters Laboratories (cULus) listed and accept QO™ and QOB branch circuit breakers.



For technical support on the installation of this panelboard, contact the Schneider Electric Customer Information Center at 1-888-778-2733.



See the labels on the equipment for rating and safety information. Additional equipment labels are provided with this document.

Safety Precautions

DANGER

HAZARD OF ELECTRIC SHOCK, EXPLOSION, OR ARC FLASH

- Apply appropriate personal protective equipment (PPE) and follow safe electrical work practices. See NFPA 70E, CSA Z462, or NOM-029-STPS.
- This equipment must only be installed and serviced by qualified electrical personnel.
- Turn OFF all power supplying this equipment before working on or inside the equipment.
- Always use a properly rated voltage sensing device to confirm all power is OFF.
- Read and understand this entire instruction bulletin and the included NEMA PB 1.1 standards publication before installing, operating, or maintaining this equipment.
- Local codes vary, but are adopted and enforced to promote safe electrical installations. A permit may be needed to do electrical work, and some codes may require an inspection of the electrical work.
- Replace all devices, doors, and covers before turning ON power to this equipment.

Failure to follow these instructions will result in death or serious injury.



WARNING: This product can expose you to chemicals including Nickel compounds, which are known to the State of California to cause cancer, and Bisphenol A (BPA), which is known to the State of California to cause birth defects or other reproductive harm. For more information go to www.P65Warnings.ca.gov.

Installation

This section provides instructions for the following NQ panelboard and QONQ load center procedures:

- “Interior Mounting for Square D Brand Enclosures” on page 6
- “Neutral Bonding Strap/Cable Installation” on page 9
- “QO and QOB Circuit Breaker Installation and Removal” on page 13
- “Circuit Breaker Reset Instructions” on page 16
- “Interior Trim Preparation” on page 17

Interior Mounting for Square D Brand Enclosures

A separate standards publication, titled “General Instructions for Proper Installation, Operation, and Maintenance of Panelboards Rated 600 Volts or Less” (NEMA PB1.1), has been provided with this equipment. Familiarize yourself with the content of this document before proceeding with any of the following procedures.

If you did not receive a copy of this document, or if you have any questions regarding this equipment, contact your local distributor or Schneider Electric representative.

NOTICE

HAZARD OF EQUIPMENT DAMAGE DUE TO LOOSE CONNECTIONS

- Ensure all connections are properly tightened.
- Refer to the torque information label provided on the panelboard before tightening the connections.

Failure to follow these instructions can result in equipment damage.

To properly mount and install the NQ panelboard or QONQ load center interior, please refer to the NEMA PB 1.1 standards publication, and follow the instructions below for either “Surface Mounting (Enclosure Mounted on Wall)” on page 7” or “Flush Mounting (Enclosure Recessed in Wall)” on page 7.”

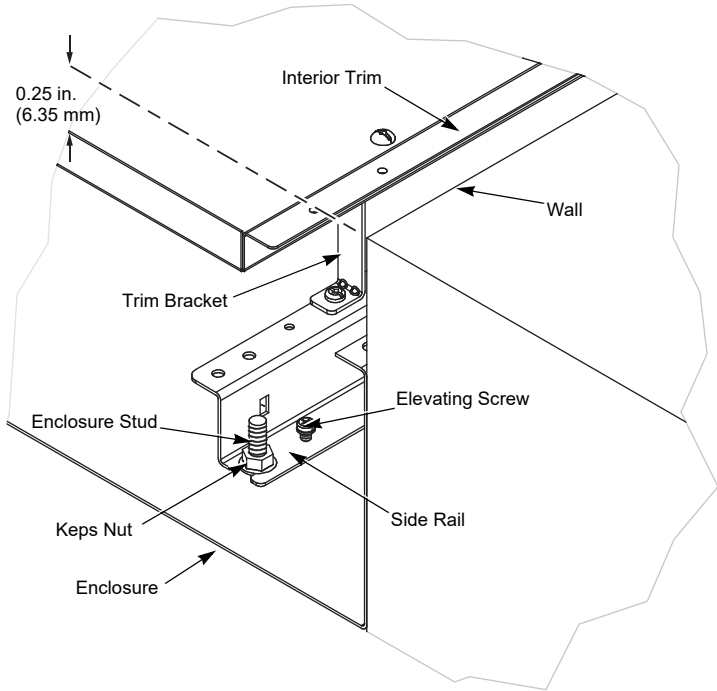
Surface Mounting (Enclosure Mounted on Wall)

1. Mount the enclosure as instructed in the NEMA PB 1.1 standards publication.
2. Remove the interior trim from the trim brackets.
3. Install the interior as described below:
 - a. Set the interior on the enclosure studs. An elevating screw is not required (See Figure 1 on page 8).
 - b. Tighten the Keps nuts against the interior side rails until the rails are against the back of the enclosure.
 - c. Remount the interior trim after wiring.
4. If used as service entrance equipment, neutral bonding is required. See the “Neutral Bonding Strap/Cable Installation” instructions on page 9.
5. Apply equipment labels (located in the bag assembly) as directed by the instructions on the back of the equipment label sheet.

Flush Mounting (Enclosure Recessed in Wall)

1. Mount the enclosure as instructed in the NEMA PB 1.1 standards publication.
2. Remove the interior trim from the trim brackets.
3. Install the interior as described below:
 - a. Thread the (4) 10-32 x 0.875 in. self-tapping, elevating screws provided with the flush trim into the side rails.
 - b. Set the interior on the enclosure studs (see Figure 1 on page 8). Place the keps nuts onto the enclosure studs, but do not tighten.
 - c. Adjust the screws so that the lip of the interior trim is approximately 0.25 inches (6.35 mm) from the wall line.
 - d. Tighten the keps nuts against the side rails.
 - e. Remount the interior trim after wiring.
4. If used as service entrance equipment, neutral bonding is required. See the “Neutral Bonding Strap/Cable Installation” instructions on page 9.
5. Apply equipment labels (located in the bag assembly) as directed by the instructions on the back of the equipment label sheet.

Figure 1: Interior Mounting of Square D Brand Enclosures



Neutral Bonding Strap/Cable Installation

The neutral bonding strap/cable should be used only when the panelboard is **installed** as service entrance equipment.

To properly bond the neutral to the panelboard, follow the instructions for either “100 or 250 A Maximum NQ Panelboards” or “400 or 600 A Maximum NQ Panelboards and QONQ Load Centers” below and on page 11, respectively.

DANGER

HAZARD OF ELECTRIC SHOCK, EXPLOSION, OR ARC FLASH

- Apply appropriate personal protective equipment (PPE) and follow safe electrical work practices. See NFPA 70E, CSA Z462, or NOM-029-STPS.
- Turn OFF all power supplying this equipment before working on or inside the equipment.
- The main bonding strap/cable should be used only when the panelboard is installed as service entrance equipment.
- Do not mix the mounting screws with the interior trim screws.

Failure to follow these instructions will result in death or serious injury.

NOTE: The bonding strap/cable parts are found in the bag assembly provided with the interior.

100 or 250 A Maximum NQ Panelboards

To install a neutral bonding strap on a 100 or 250 A maximum NQ panelboard, refer to Figure 2 and follow the instructions below.

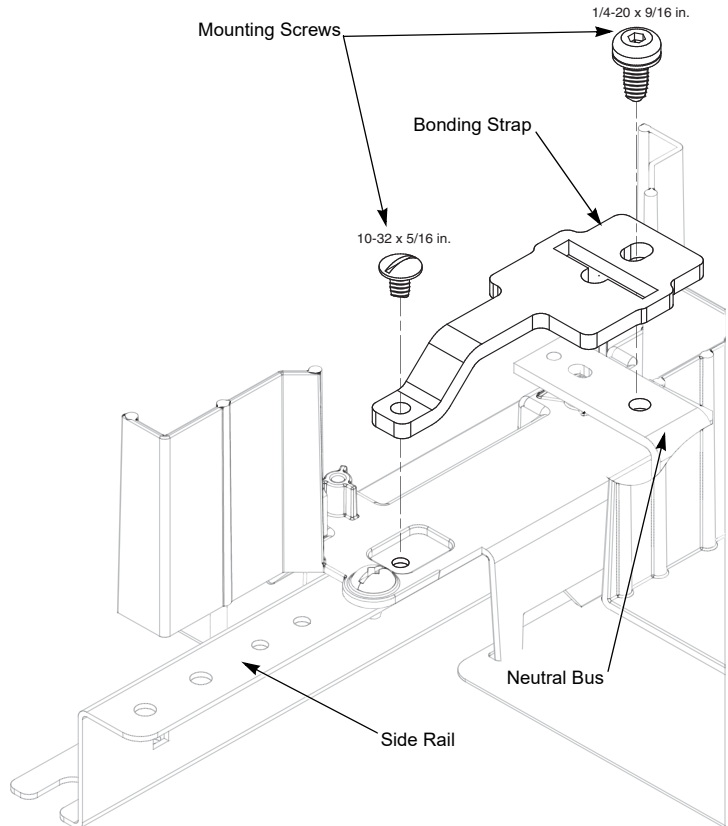
1. Align the bonding strap on the side rail, as pictured.

NOTE: For some applications, it may be necessary to remove the lug (not pictured) before installing the bonding strap.

2. Insert the two mounting screws, as pictured. Tighten the 10-32 screw to 10–12 lb-in (1.1–1.4 N•m) and the 1/4-20 to 25–30 lb-in (2.8–3.4 N•m).

NOTE: If the lug was removed in Step 1 above, reinstall it on top of the bonding strap. Use the 1/4-20 screw x 11/16 in. lug mounting screw on applications with feed-through lug, sub-feed lug, sub-feed breaker, or 200% neutral applications. Use the 1/4-20 screw x 7/8 in lug mounting screw on 225 A applications with 200% neutrals and with feed-thru lugs, sub-feed lugs, or sub-feed circuit breakers. Lug mounting screws are provided in the bonding strap bag assembly.

**Figure 2: Bonding Strap Installation —
100 or 250 A Maximum NQ Panelboards**



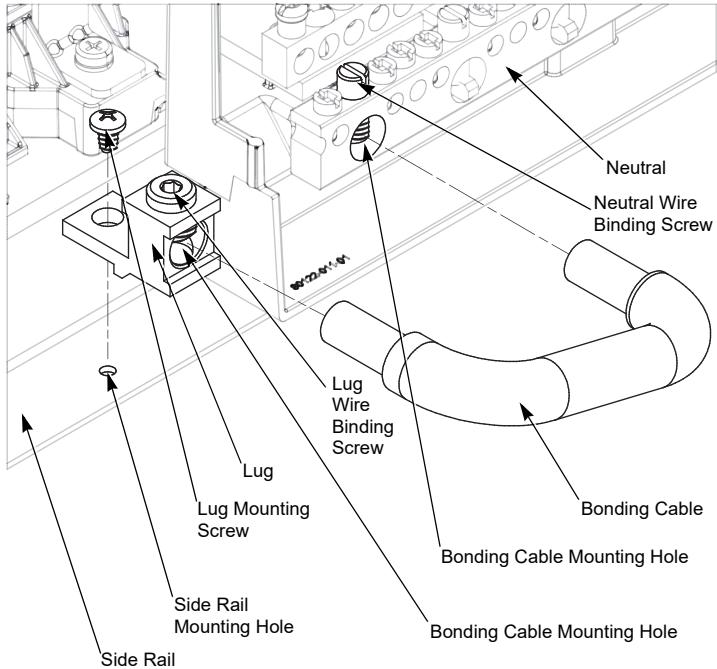
400 or 600 A Maximum NQ Panelboards and QONQ Load Centers

To install a neutral bonding cable on a 400 or 600 A maximum NQ panelboard and QONQ load center, refer to Figure 3 and follow the instructions below.

1. Align the lug on the side rail mounting hole, as pictured.
2. Tighten the lug mounting screw against the side rail to 10–12 lb-in (1.1–1.4 N•m).

3. Align the bonding cable, as pictured, and insert it into the lug and neutral mounting holes.
4. Tighten both the lug wire binding screw and the neutral wire binding screw to 45–50 lb-in (5.1–5.6 N•m).

**Figure 3: Bonding Cable Installation — 400 or 600 A
Maximum NQ Panelboards and QONQ Load Centers**



QO and QOB Circuit Breaker Installation and Removal

DANGER

HAZARD OF ELECTRIC SHOCK, EXPLOSION, OR ARC FLASH

- Apply appropriate personal protective equipment (PPE) and follow safe electrical work practices. See NFPA 70E, CSA Z462, or NOM-029-STPS.
- This equipment must only be installed and serviced by qualified electrical personnel.
- Turn OFF all power supplying this equipment before working on or inside equipment.
- Always use a properly rated voltage sensing device to confirm that all power is OFF.
- All unused spaces must be filled with blank fillers.
- Replace all devices, doors, and covers before turning ON power to this equipment.

Failure to follow these instructions will result in death or serious injury.

QO and QOB Breaker Installation

Refer to Figure 4 on page 15 for the following instructions:

1. Turn OFF all power to the panelboard.
2. Turn the breaker OFF.
3. Remove the interior trim.
4. Snap the wire terminal end of the circuit breaker onto the mounting rail.
5. Engage the branch connector.

For QO Circuit Breakers:

- a. Push inward until the plug-on jaws fully engage the branch connector.

For QOB Circuit Breakers:

- a. Push inward until the breaker connector is centered on the branch connector mounting hole. Engage the screw into the branch connector hole and tighten it to the torque values shown on the interior wiring and torque diagram.

6. Install the load wire.
7. Reinstall the interior trim.

QO and QOB Breaker Removal

Refer to Figure 4 on page 15 for the following instructions:

1. Turn OFF all power to the panelboard.
2. Remove the interior trim.
3. Remove the load wire.
4. Disengage the branch connector.

For QO Circuit Breakers:

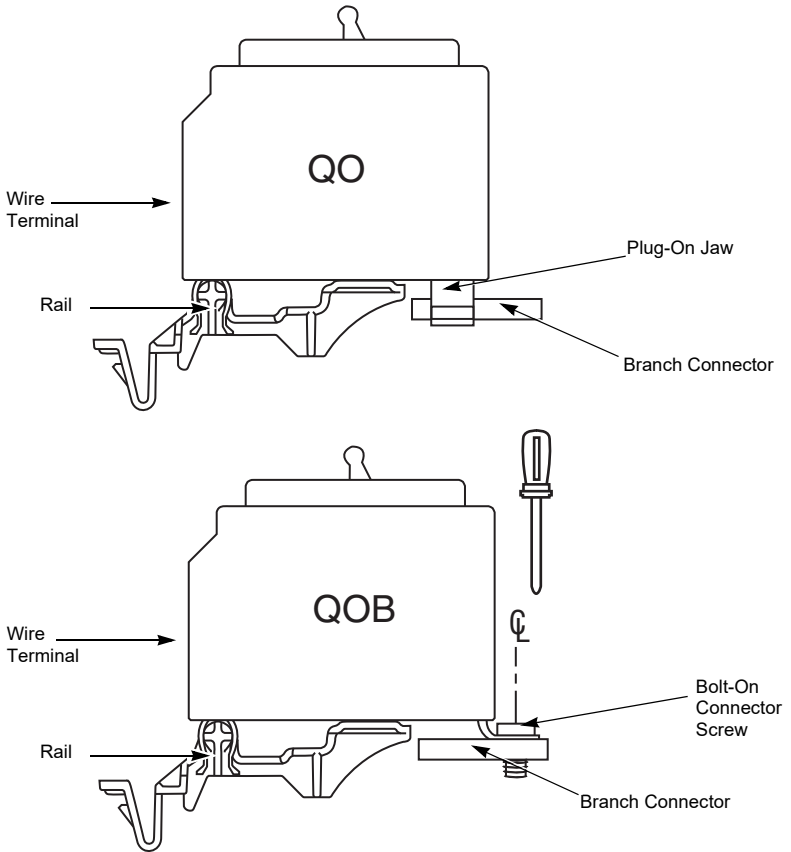
- a. Pull outward until the plug-on jaws fully disengage the branch connector.

For QOB Circuit Breakers:

- a. Loosen the screw in the breaker connector and pull the breaker off of the branch connector.

5. Snap the wire terminal end of the circuit breaker off of the mounting rail.
6. Reinstall the interior trim.

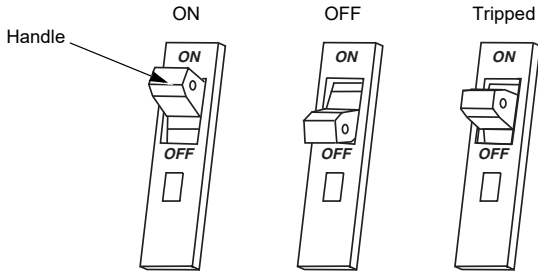
Figure 4: QO and QOB Circuit Breaker Installation and Removal



Circuit Breaker Reset Instructions

If the circuit breaker is tripped, the handle will be at the mid-position between ON and OFF. To reset the circuit breaker, push the handle to the OFF position, then to the ON position.

Figure 5: Circuit Breaker Handle Positions



Interior Trim Preparation

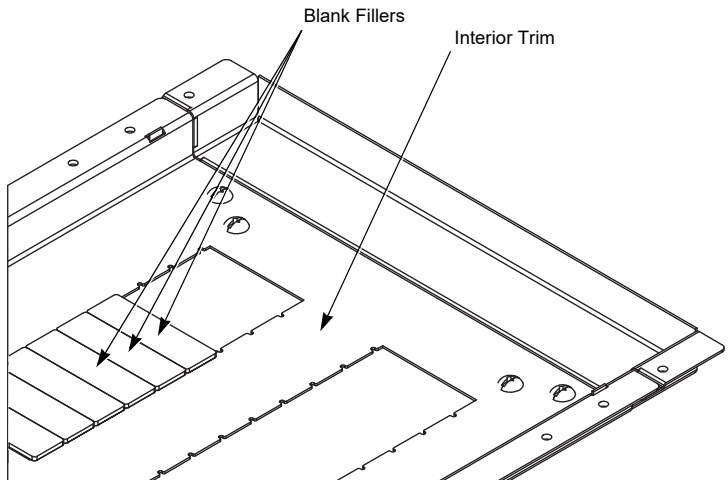
⚠ DANGER

HAZARD OF ELECTRIC SHOCK, EXPLOSION, OR ARC FLASH

- Apply appropriate personal protective equipment (PPE) and follow safe electrical work practices. See NFPA 70E, CSA Z462, or NOM-029-STPS.
- Before energizing the panelboard, all unused spaces must be filled with blank fillers.
- Replace all devices, doors, and covers before energizing this equipment.

Failure to follow these instructions will result in death or serious injury.

Figure 6: Interior Trim Diagram



NOTE: The back of the interior trim lists the catalog number for its corresponding compatible blank fillers.

Appendix 1: Specifications

Typical Wiring

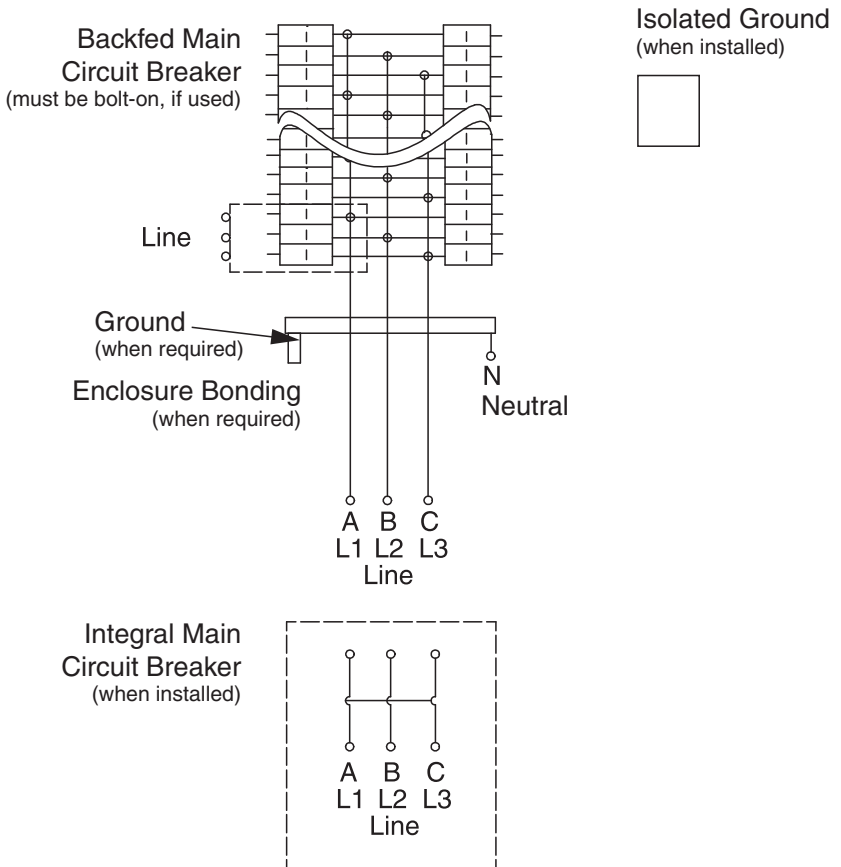
Table 1: Panelboard Typical Wiring¹

Voltage AC	1-Phase Panelboards		3-Phase Panelboards	
	Phase	Wires	Phase	Wires
208Y/120	—	—	3	4
120/240	1	3	—	—
240 ²	1	2	3	3
240 ³	1	3	—	—
240/120 ⁴	—	—	3	4 Delta

- ¹ Additional information is provided on the panelboard. See the main circuit breaker rating, if used.
- ² For this system, the neutral is not used and only circuit breakers rated 240 V AC minimum should be used. Do not use circuit breakers rated 120 V or 120/240 V AC.
- ³ For a grounded “B” phase system, only circuit breakers rated 240 V AC minimum should be used. Do not use circuit breakers rated 120 V or 120/240 V AC.
- ⁴ When wiring for a delta system, phases “A” and “C” must be 120 V to neutral, phase “B” 208 V to neutral. Connect only circuit breakers rated 240 V AC minimum. Do not use circuit breakers rated 120 V or 120/240 V to “B” phase.

Integral Main or Sub-Feed:
DJ, FI, KI, H, J, LA, LC, LH, QB, QD, QG, QJ, QO(B)VH

Figure 7: NQ/NQM 100–225 A Main Lugs or 100–250 A Main Breaker Diagram



ENGLISH

Figure 8: NQ Panelboard or QONQ Load Center 400–600 A Main Lugs or Main Circuit Breaker with or without Feed-Through Lugs Diagram

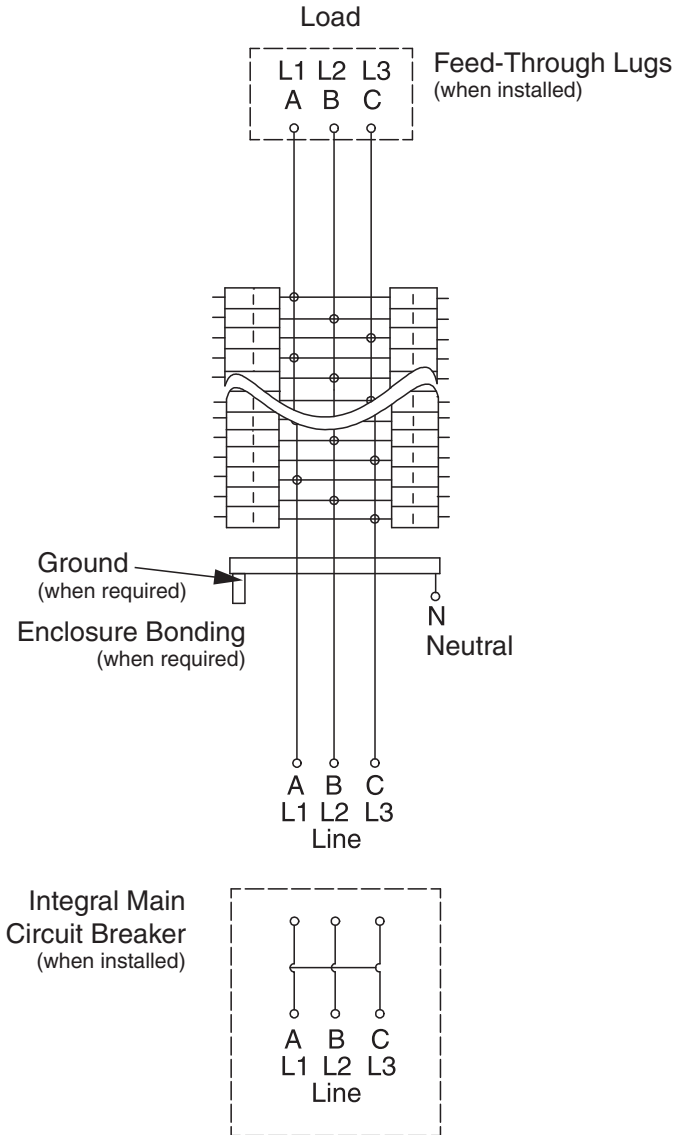
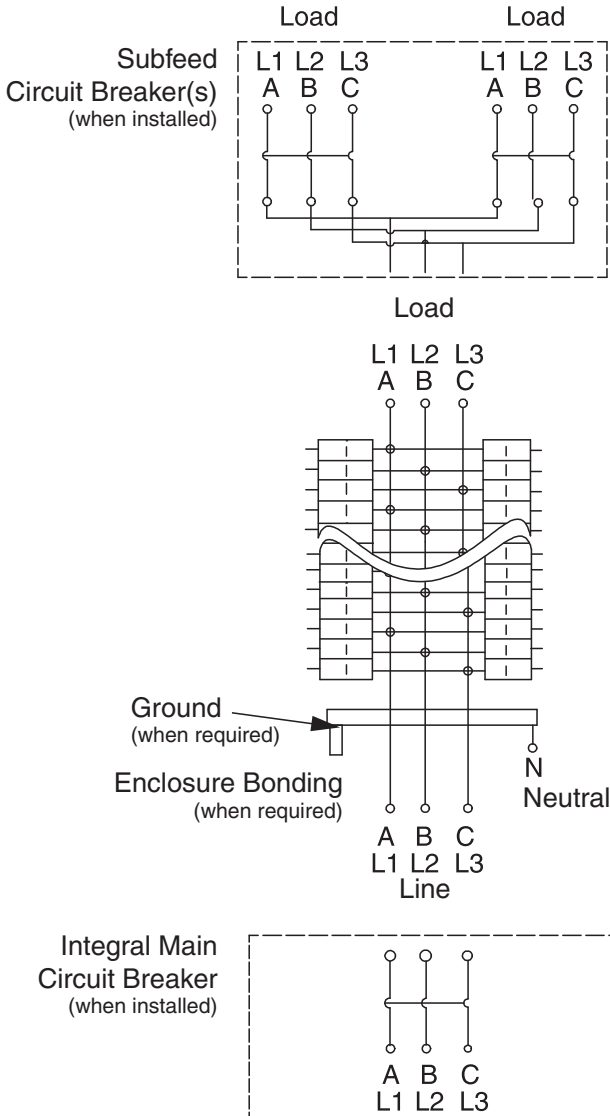
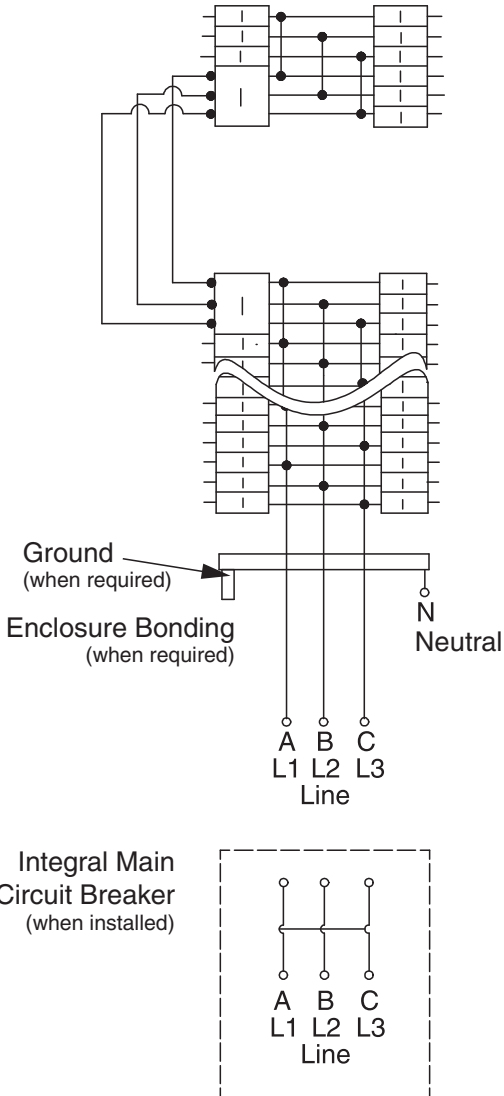


Figure 9: NQ Panelboard or QONQ Load Center 400–600 A Main Circuit Breaker with Feed-Through Lugs or Sub-Feed Circuit Breakers Diagram



ENGLISH

Figure 10: Typical NQ Panelboard with Split Bus Diagram



Panelboard Ratings

Refer to NEC section 110-22 and CEC rule 14-014 for more information. The series rated system label is located in the bag assembly.

Table 2: Series Connected Breaker Ratings (RMS Symmetrical)

Max. System Voltage AC 1, 2	Max. Short Circuit Current Rating	Square D Brand Integral or Remote Main Circuit Breakers and Remote Main Fuses ^{3, 4, 5, 6,}	Square D Brand Branch Circuit Breaker Catalog Designation and Allowable Ampere Ranges ^{7, 8, 9}			
			Type	1 Pole	2 Pole	3 Pole
120/240 1P/3W 208Y/120 3P/4W 240/120 3P/4W	18,000	LA/LH MC	QO (B)	15-30 A	15-30 A	—
	22,000	QO (B) VH QOB-VH	QO (B)	15-70 A	15-125 A	—
			QO (B) GFI	15-30 A	15-60 A	—
			QO (B) EPD	15-30 A	15-60 A	—
			QO (B) PL	15-30 A	15-60 A	—
			QO (B) AFI	15-20 A	—	—
			QO (B) CAFI	15-20 A	15-20 A	—
			QO (B) DF	15-20 A	—	—
	25,000	QD	QO (B)	15-70 A	15-125 A	—
			QOB-VH	—	150 A	—
			QO (B) PL	15-30 A	15-60 A	—
			QO (B) GFI	15-30 A	15-60 A	—
			QO (B) EPD	15-30 A	15-60 A	—
			QO (B) AFI	15-20 A	—	—
			QO (B) CAFI	15-20 A	15-20 A	—
		QO (B) DF	15-20 A	—	—	
		ED, FD	QO (B)	15-70 A	15-125 A	—
			QO (B) GFI	15-30 A	15-60 A	—
			QO (B) EPD	15-30 A	15-60 A	—
			QO (B) AFI	15-20 A	—	—
			QO (B) CAFI	15-20 A	15-20 A	—
	QO (B) DF		15-20 A	—	—	
	BD, HD, JD, LD	QO (B)	15-70 A	15-125 A	—	
		QOB-VH	—	150 A	—	
		QO (B) PL	15-30 A	15-60 A	—	
		QO (B) GFI	15-30 A	15-60 A	—	
		QO (B) AFI	15-20 A	—	—	

Continued on next page

Table 2: Series Connected Breaker Ratings (RMS Symmetrical) (continued)

Max. System Voltage AC 1, 2	Max. Short Circuit Current Rating	Square D Brand Integral or Remote Main Circuit Breakers and Remote Main Fuses ^{3, 4, 5, 6,}	Square D Brand Branch Circuit Breaker Catalog Designation and Allowable Ampere Ranges ^{7, 8, 9}				
			Type	1 Pole	2 Pole	3 Pole	
120/240 1P/3W 208Y/120 3P/4W 240/120 3P/4W	25,000	BD, HD, JD, LD	QO (B) CAFI	15–20 A	15–20 A	—	
			QO (B) DF	15–20 A	—	—	
	42,000	LA, MA	QO (B)	15–30 A	15–30 A	—	
			LC 400 A	QO (B)	15–70 A	15–70 A	—
		LC 600 A	QO (B) GFI	15–30 A	15–60 A	—	
			QO (B) EPD	15–30 A	15–60 A	—	
			LC 400 A	QO (B)	15–30 A	15–30 A	—
				QO (B) GFI	15–30 A	15–60 A	—
	65,000	LC 600 A	QO (B) EPD	15–30 A	15–60 A	—	
			QO (B) VH	15–70 A	15–125 A	—	
			QOB-VH	—	150 A	—	
			QO (B) GFI	15–30 A	—	—	
		DJ-W 150–600 A MC	QO (B) EPD	15–30 A	—	—	
			QO (B) AFI	15–20 A	—	—	
			QO (B) CAFI	15–20 A	15–20 A	—	
			QO (B) DF	15–20 A	—	—	
			QG	QO (B)	15–70 A	15–100 A	—
				QO (B) VH	15–70 A	15–125 A	—
	QOB-VH	—		150 A	—		
	QO (B) GFI	15–30 A		15–60 A	—		
	QO (B) PL	15–30 A		15–60 A	—		
	QO (B) AFI	15–20 A		—	—		
	QO (B) CAFI	15–20 A	15–20 A	—			
		QO (B) DF	15–20 A	—	—		

Continued on next page

ENGLISH

Table 2: Series Connected Breaker Ratings (RMS Symmetrical) (continued)

Max. System Voltage AC 1, 2	Max. Short Circuit Current Rating	Square D Brand Integral or Remote Main Circuit Breakers and Remote Main Fuses ^{3, 4, 5, 6,}	Square D Brand Branch Circuit Breaker Catalog Designation and Allowable Ampere Ranges ^{7, 8, 9}			
			Type	1 Pole	2 Pole	3 Pole
120/240 1P/3W 208Y/120 3P/4W 240/120 3P/4W	65,000	EG, FG	QO (B)	15-70 A	15-125 A	—
			QO (B) GFI	15-30 A	15-60 A	—
			QO (B) EPD	15-30 A	15-60 A	—
			QO (B) EPE	—	—	—
			QO (B) AFI	15-20 A	—	—
			QO (B) CAFI	15-20 A	15-20 A	—
		BG, HG, JG, LG	QO (B) DF	15-20 A	—	—
			QO (B)	15-70 A	15-125 A	—
			QOB-VH	—	150 A	—
			QO (B) PL	15-30 A	15-60 A	—
			QO (B) GFI	15-30 A	15-60 A	—
			QO (B) EPD	15-30 A	15-60 A	—
	100,000	FC, KC	QO (B) AFI	15-20 A	—	—
			QO (B) CAFI	15-20 A	15-20 A	—
		DJ 400 A	QO (B) DF	15-20 A	—	—
			QO (B)	15-70 A	15-125 A	—
			QOB-VH	—	150 A	—
			QO (B) GFI	15-30 A	15-60 A	—
			QO (B) EPD	15-30 A	15-60 A	—
			QO (B) AFI	15-20 A	—	—
		QJ	QO (B) CAFI	15-20 A	15-20 A	—
			QO (B) DF	15-20 A	—	—
			QO (B)	15-70 A	15-125 A	—
			QOB-VH	—	150 A	—
QO (B) PL	15-30 A		15-60 A	—		
QO (B) GFI	15-30 A		15-60 A	—		
QO (B) EPD	15-30 A	15-60 A	—			
QO (B) AFI	15-20 A	—	—			
QO (B) CAFI	15-20 A	15-20 A	—			
QO (B) DF	15-20 A	—	—			

Continued on next page

Table 2: Series Connected Breaker Ratings (RMS Symmetrical) (continued)

Max. System Voltage AC 1, 2	Max. Short Circuit Current Rating	Square D Brand Integral or Remote Main Circuit Breakers and Remote Main Fuses ^{3, 4, 5, 6,}	Square D Brand Branch Circuit Breaker Catalog Designation and Allowable Ampere Ranges ^{7, 8, 9}				
			Type	1 Pole	2 Pole	3 Pole	
120/240 1P/3W 208Y/120 3P/4W 240/120 3P/4W	100,000	EJ	QO (B)	15–70 A	15–125 A	—	
			QO (B) GFI	15–30 A	15–60 A	—	
			QO (B) EPD	15–30 A	15–60 A	—	
			QO (B) AFI	15–20 A	—	—	
			QO (B) CAFI	15–20 A	15–20 A	—	
			QO (B) DF	15–20 A	—	—	
		FJ	QO (B)	15–70 A	15–125 A	—	
		BJ, HJ, JJ	QO (B)	15–70 A	15–125 A	—	
			QOB-VH	—	150 A	—	
			QO (B) PL	15–30 A	15–60 A	—	
			QO (B) GFI	15–30 A	15–60 A	—	
			QO (B) EPD	15–30 A	15–60 A	—	
			QO (B) AFI	15–20 A	—	—	
			QO (B) CAFI	15–20 A	15–20 A	—	
			QO (B) DF	15–20 A	—	—	
		LJ	QO (B)	15–70 A	15–125 A	—	
			QOB-VH	—	150 A	—	
			QO (B) GFI	—	15–60 A	—	
			QO (B) EPD	—	15–60 A	—	
			QO (B) AFI	15–20 A	—	—	
			QO (B) CAFI	15–20 A	15–20 A	—	
		QO (B) DF	15–20 A	—	—		
		125,000	HL, JL	QO (B)	15–70 A	15–125 A	—
				QOB-VH	—	150 A	—
	QO (B) PL			15–30 A	15–60 A	—	
	QO (B) GFI			15–30 A	15–60 A	—	
	QO (B) EPD			15–30 A	15–60 A	—	
	QO (B) AFI			15–20 A	—	—	
QO (B) CAFI	15–20 A			15–20 A	—		
QO (B) DF	15–20 A			—	—		

Continued on next page

ENGLISH

Table 2: Series Connected Breaker Ratings (RMS Symmetrical) (continued)

Max. System Voltage AC 1, 2	Max. Short Circuit Current Rating	Square D Brand Integral or Remote Main Circuit Breakers and Remote Main Fuses ^{3, 4, 5, 6,}	Square D Brand Branch Circuit Breaker Catalog Designation and Allowable Ampere Ranges ^{7, 8, 9}			
			Type	1 Pole	2 Pole	3 Pole
120/240 1P/3W 208Y/120 3P/4W 240/120 3P/4W	200,000	HR, JR	QO (B)	15–70 A	15–125 A	—
			QO (B) GFI	15–30 A	15–60 A	—
			QO (B) EPD	15–30 A	15–60 A	—
			QO (B) AFI	15–20 A	—	—
			QO (B) CAFI	15–20 A	15–20 A	—
			QO (B) DF	15–20 A	—	—
240 1P/2W	25,000	QD, BD, HD, JD, LD	QO (B) H	—	15–100 A	—
	42,000	LA, MA	QDL	—	70–225 A	—
	65,000	DJ 400 A, QG, BG, HG, JG, LG	QO (B) H	—	15–100 A	—
	100,000	DJ 400 A, BJ, HJ, JJ, LJ	QO (B) H	—	15–100 A	—
	125,000	HL, JL	QO (B) H	—	15–100 A	—
208Y/120 3P/4W	18,000	LA/LH MC	QO (B)	—	—	15–30 A
	22,000	QO (B) VH, QOB-VH	QO (B) GFI	—	—	15–50 A
	25,000	QD, ED, FD, BD, HD, JD	QO (B) GFI	—	—	15–50 A
		LD	QO (B) GFI	—	—	15–30 A
	65,000	DJ-W 150–600 A MC	QO (B) VH	—	—	15–100 A
			QOB-VH	—	—	110–150 A
		QG, EG, FG, BG, HG, JG	QO (B) GFI	—	—	15–50 A
		LC, DG, DJ, DL, LG	QO (B) GFI	—	—	15–30 A
	100,000	DJ 400 A	QO (B) VH	—	—	15–100 A
			QOB-VH	—	—	110–150 A
		QJ	QO (B)	—	—	15–30 A
			QO (B) VH	—	—	15–100 A
			QOB-VH	—	—	110–150 A
QO (B) PL			—	—	15–30 A	
QO (B) GFI			—	—	15–50 A	
QO (B) EPD			—	—	15–50 A	
QO (B) EPE			—	—	15–50 A	
EJ, BJ, HJ, JJ	QO (B) GFI	—	—	15–50 A		

Continued on next page

Table 2: Series Connected Breaker Ratings (RMS Symmetrical) (continued)

Max. System Voltage AC 1, 2	Max. Short Circuit Current Rating	Square D Brand Integral or Remote Main Circuit Breakers and Remote Main Fuses ^{3, 4, 5, 6,}	Square D Brand Branch Circuit Breaker Catalog Designation and Allowable Ampere Ranges ^{7, 8, 9}				
			Type	1 Pole	2 Pole	3 Pole	
240/120 3P/4W 240 3P/3W	22,000	QO (B) VH QOB-VH	QO (B)	—	—	15–100 A	
			QO (B) EPD	—	—	15–50 A	
			QO (B) EPE	—	—	15–50 A	
	25,000	QD	QO (B)	—	—	15–30 A	
			QO (B) VH	—	—	15–100 A	
			QOB-VH	—	—	110–150 A	
			QO (B) PL	—	—	15–30 A	
			QO (B) EPD	—	—	15–50 A	
			QO (B) EPE	—	—	15–50 A	
			ED, FD	QO (B)	—	—	15–100 A
		QO (B) EPD	—	—	15–50 A		
		QO (B) EPE	—	—	15–50 A		
		BD, HD, JD	QO (B)	—	—	15–100 A	
			QOB-VH	—	—	110–150 A	
			QO (B) PL	—	—	15–30 A	
			QO (B) EPD	—	—	15–50 A	
			QO (B) EPE	—	—	15–50 A	
			LD	QO (B) VH	—	—	15–100 A
				QOB-VH	—	—	110–150 A
		QO (B) EPD		—	—	15–30 A	
		QO (B) EPE		—	—	15–30 A	
	42,000	LA, MA	QDL	—	—	70–225 A	
			QO (B) VH	—	—	15–30 A	
		LC	QO (B) VH	—	—	15–100 A	
		MG	QOB-VH	—	—	110–150 A	
	65,000	LC 400 A	QO (B) VH	—	—	15–100 A	
			QO (B) VH	—	—	15–30 A	
		LC 600 A	QO (B) EPD	—	—	15–30 A	
			QO (B) EPE	—	—	15–30 A	
		DJ 400 A	QO (B) VH	—	—	15–100 A	
QOB-VH			—	—	110–150 A		

Continued on next page

Table 2: Series Connected Breaker Ratings (RMS Symmetrical) (continued)

Max. System Voltage AC 1, 2	Max. Short Circuit Current Rating	Square D Brand Integral or Remote Main Circuit Breakers and Remote Main Fuses ^{3, 4, 5, 6,}	Square D Brand Branch Circuit Breaker Catalog Designation and Allowable Ampere Ranges ^{7, 8, 9}				
			Type	1 Pole	2 Pole	3 Pole	
240/120 3P/4W 240 3P/3W	65,000	DJ, DG, DL 150-600 A	QO (B) EPD	—	—	15-30 A	
			QO (B) EPE	—	—	15-30 A	
		QG	QO (B)	—	—	15-30 A	
			QO (B) VH	—	—	15-100 A	
			QOB-VH	—	—	110-150 A	
			QO (B) PL	—	—	15-30 A	
		EG, FG	QO (B)	—	—	15-100 A	
			QOB-VH	—	—	110-125 A	
			QO (B) EPD	—	—	15-50 A	
			QO (B) EPE	—	—	15-50 A	
		BG, HG, JG	QO (B)	—	—	15-100 A	
			QOB-VH	—	—	110-150 A	
			QO (B) PL	—	—	15-30 A	
			QO (B) EPD	—	—	15-50 A	
			QO (B) EPE	—	—	15-50 A	
		LG	QO (B) VH	—	—	15-100 A	
			QOB-VH	—	—	110-150 A	
			QO (B) EPD	—	—	15-30 A	
			QO (B) EPE	—	—	15-30 A	
		100,000	FC, KC	QO (B)	—	—	15-100 A
				QO (B)	—	—	15-100 A
			EJ	QOB-VH	—	—	110-125A
				QO (B) EPD	—	—	15-50 A
				QO (B) EPE	—	—	15-50 A
	QO (B)			—	—	15-100 A	
	FJ		QOB-VH	—	—	110-125A	
			QO (B)	—	—	15-100 A	
	BJ, HJ, JJ		QOB-VH	—	—	110-150 A	
			QO (B) PL	—	—	15-30 A	
			QO (B) EPD	—	—	15-50 A	
QO (B) EPE			—	—	15-50 A		
QO (B) VH			—	—	15-100 A		
LJ	QOB-VH		—	—	110-150 A		

Continued on next page

Table 2: Series Connected Breaker Ratings (RMS Symmetrical) (continued)

Max. System Voltage AC 1, 2	Max. Short Circuit Current Rating	Square D Brand Integral or Remote Main Circuit Breakers and Remote Main Fuses ^{3, 4, 5, 6,}	Square D Brand Branch Circuit Breaker Catalog Designation and Allowable Ampere Ranges ^{7, 8, 9}			
			Type	1 Pole	2 Pole	3 Pole
240/120 3P/4W 240 3P/3W	125,000	HL, JL	QO (B)	—	—	15–100 A
			QOB-VH	—	—	110–150 A
			QO (B) PL	—	—	15–30 A
			QO (B) EPD	—	—	15–50 A
	200,000	FI, KI, HR, JR	QO (B) EPE	—	—	15–50 A
			QO (B)	—	—	15–100 A
120/240 1P/3W 208Y/120 3P/4W 240/120 3P/4W	42,000	400 A Max. Class T3 Fuses	QO (B) VH	15–70 A	15–125 A	—
		65,000	400 A Max. Class J Fuses	QO (B) VH	15–70 A	15–125 A
	QO (B) AFI			15–20 A	—	—
	QO (B) CAFI			15–20 A	15–20 A	—
	QO (B) DF			15–20 A	—	—
	100,000	400 A Max. Class T6 Fuses	QO (B) VH	15–70 A	15–125 A	—
			QOB-VH	—	150 A	—
			QO (B) AFI	15–20 A	—	—
			QO (B) CAFI	15–20 A	15–20 A	—
	200,000	200 A Max. Class T3 Fuses	QO (B) DF	15–20 A	—	—
			QO (B)	15–70 A	15–125 A	—
			QO (B) GFI	15–30 A	15–60 A	—
			QO (B) EPD	15–30 A	15–60 A	—
	200,000	200 A Max. Class T6 or J Fuses	QO (B) AFI	15–20 A	—	—
			QO (B) CAFI	15–20 A	15–20 A	—
			QO (B) DF	15–20 A	—	—
QO (B)			15–70 A	15–125 A	—	
200,000	400 A Max. Class T3 Fuses	QO (B) GFI	15–30 A	15–60 A	—	
		QO (B) EPD	15–30 A	15–60 A	—	
		QO (B) EPD	15–30 A	15–60 A	—	

Continued on next page

Table 2: Series Connected Breaker Ratings (RMS Symmetrical) (continued)

Max. System Voltage AC 1, 2	Max. Short Circuit Current Rating	Square D Brand Integral or Remote Main Circuit Breakers and Remote Main Fuses ^{3, 4, 5, 6,}	Square D Brand Branch Circuit Breaker Catalog Designation and Allowable Ampere Ranges ^{7, 8, 9}			
			Type	1 Pole	2 Pole	3 Pole
208Y/120 3P/4W	65,000	400 A Max. Class J	QO (B) GFI	—	—	15–50 A
	100,000	200 A Max. Class T3	QO (B) GFI	—	—	15–50 A
	200,000	200 A Max. Class T6 or J Fuses	QO (B) GFI	—	—	15–50 A
		400 A Max. Class T3 Fuses	QO (B) GFI	—	—	15–50 A
240/120 3P/4W 240 3P/3W	50,000	600 A Max. Class T3 Fuses	QO (B) VH	—	—	15–30 A
	65,000	400 A Max. Class J Fuses	QO (B) VH	—	—	15–100 A
		400 A Max. Class T6 Fuses	QO (B) VH	—	—	15–100 A
	100,000	200 A Max. Class T3 Fuses	QOB-VH	—	—	110–150 A
			QO (B)	—	—	15–100 A
			QO (B) EPD	—	—	15–50 A
	200,000	200 A Max. Class T6 or J Fuses	QO (B) EPE	—	—	15–50 A
			QO (B)	—	—	15–100 A
			QO (B) EPD	—	—	15–50 A
		400 A Max. Class T3 Fuses	QO (B) EPE	—	—	15–50 A
			QO (B)	—	—	15–100 A
			QO (B) EPD	—	—	15–50 A
QO (B) EPE	—	—	15–50 A			

- 1 Series Ratings listed at higher system voltages apply to lower system voltages (Example: 240 3P/3W covers 208Y/120 3P/4W).
- 2 Short circuit tests are conducted at 100–105% of the maximum rated voltage of the panelboard.
- 3 "MC" denotes Mission Critical circuit breakers.
- 4 To achieve selective coordination, the rating of the DJ Main circuit breaker must be at least two times greater than the ampere rating of any branch circuit breaker.
- 5 Where LG is shown, LJ and LL can be used.
- 6 Unless otherwise noted, main breakers can be applied at the maximum available amperage rating.
- 7 Suffixes HID, SWD, and SWN may also be applied to the applicable branch circuit breakers shown above. Suffix SWN may not be applied in combination with LC main breakers.
- 8 Where QO(B) circuit breakers are shown above, QO(B)H, QO(B)VH, and QH(B) circuit breakers may also be used.
- 9 Two-pole CAFI circuit breakers cannot be used on 208Y/120V systems.

Table 3: NQ Panel Mission Critical Breaker Selectivity

Maximum SCCR (RMS Symmetrical)	Integral or Remote Main Circuit Breakers	Branch Circuit Breakers			
		Type ¹	1-pole	2-pole	3-pole
Fully Rated and Selective to 10 kA at 208Y/120 Vac or at 240/120 Vac	J-W, 250 A L-W, 250 A	QO(B)	10-70	10-125	10-125
		QO(B)-H			
		QO(B)-VH			
		QH			
Series Rated and Selective to 12 kA at 208Y/120 Vac or at 240/120 Vac	J-W, 250 A	QO(B)	10-70	10-125	10-60
		QO(B)-H			
		QO(B)-VH			
		QH			
Series Rated and Selective to 15 kA at 208Y/120 Vac or at 240/120 Vac	J-W, 250 A	QO(B)	10-60	10-60	10-30
		QO(B)-H			
		QO(B)-VH			
		QH			
Series Rated and Selective to 18 kA at 208Y/120 Vac or at 240/120 Vac	J-W, 250 A	QO(B)	10-30	10-30	—
		QO(B)-H			
		QO(B)-VH			
		QH			
	L-W, 250 A	QO(B)	10-60	10-60	10-60
		QO(B)-H			
		QO(B)-VH			
		QH			
Series Rated and Selective to 30 kA at 208Y/120 Vac or at 240/120 Vac	L-W, 400 A L-W, 600 A	QO(B)	15-70	15-150	15-150
		QO(B)-H			
		QO(B)-VH			
		QH			

¹ Including AFI, CAFI, EPD and GFI Circuit Breakers

Table 4: Short Circuit Current Rating¹ for Main Lug Interiors with Sub-Feed or Feed-Through Lugs

Maximum System Voltage AC	Maximum Current Rating	Branch Circuits ²	Application	Adder ³	Maximum Short Circuit Current Rating ⁴
240	100	18, 30	SFL and FTL	—	10,000
	225	30, 42, 54, 72, 84, 96	SFL	6 inches (152.4 mm)	
		42		—	
		30, 54, 72, 84, 96	FTL	6 inches (152.4 mm)	
	400	30, 42, 54, 72, 84	SFL	—	25,000
		96		—	10,000
		30, 84	FTL	—	25,000
		96		—	10,000
		42, 54, 72		6 inches (152.4 mm)	25,000
		30, 42, 54, 72, 84		FTL	
	600	96	10,000		

- ¹ This rating applies to main lug interiors, equipped with sub-feed or feed-through lugs, where the device feeding the interior is unknown or not a Square D brand device. Use of a Square D brand main circuit breaker ahead of these lugs will result in a rating equal to the rating of the breaker. Short circuit tests are conducted at 100–105% of the maximum rated voltage of the panelboard.
- ² 96 circuits with SPD has 84 usable branch circuits.
- ³ The adder is the additional length of the enclosure.
- ⁴ RMS symmetrical amperes, for three cycles.

CE Marking

- Interiors with the "CE" mark meet the IEC 61439-1 and IEC 61439-2 standards.
- Main lug interiors with the "CE" mark have been tested to withstand 10,000 RMS symmetrical amperes for 30 cycles.
- Interiors with the "CE" mark are only approved for use with QOXD or QOBXD branch circuit breakers which carry the "CE" mark.

Appendix 2: Accessory Kits

An assortment of field-installable accessory kits are available for NQ panelboards:

- Equipment Ground Bar Kits
- Oversized Lug Kits for 100–250 A Panelboards
- Sub-Feed Lug Kits for 100–400 A Panelboards
- Main Lug Kits
 - Mechanical Lug Kits—Aluminum
 - Mechanical Lug Kits—Copper
 - Versa-Crimp Compression Lug Kits—Aluminum
 - Versa-Crimp Compression Lug Kits—Copper

Equipment Ground Bar Kits


Equipment ground bar kits, suitable for copper or aluminum wire, meet the grounding needs of NQ panelboards and QONQ load centers.

Table 5: Equipment Ground Bar Kits Specifications

Panelboard		Use Ground Bar Kit Catalog Number	
Branch Circuit	Mains Rating	Aluminum ¹	Copper ²
1–42	600 A Maximum	(1) PK27GTA	(1) PK27GTACU
54–84		(2) PK27GTA	(2) PK27GTACU

¹ Aluminum bars suitable for 60° C or 75° C Copper or Aluminum conductors.

² Copper bars suitable for 60° C or 75° C Copper conductors.

NOTE: Ground bar mounting locations are identified by the ground symbol  stamped into the back wall of the enclosure.

Oversized Lug Kits for 100–250 A Panelboards

Oversized lug kits are available for applications where termination conductors of 3 AWG or larger are required for the neutral.

Table 6: Oversized Lug Kits for 100–250 A Panelboards Specifications

Circuit Breaker Rating	Kit Catalog Number	Wire Range
70 A	QO70AN	(1) 10–2 Al ([1] 5.76–33.6 mm ²) (1) 14–4 Cu ([1] 2.08–21.1 mm ²)
80–125 A	Q1100AN	(1) 4–1/0 Al/Cu ([1] 42.4–53.5 mm ²)
125–150 A	Q1150AN	(1) 1–4/0 Al/Cu ([1] 42.4–107 mm ²)

Sub-Feed Lug Kits for 100–400 A Panelboards

Sub-feed main lugs are available for 100, 225, or 400 A applications.

Table 7: Sub-Feed Lug Kits for 100–400 A Panelboards Specifications

Main Amps	Kit Catalog Number	Maximum Circuits
100	NQSFL1	18, 30
225	NQSFL2	30 ¹ , 42 ¹ , 54 ¹ , 72 ¹ , 84 ¹
400	NQSFL4	30, 42, 54, 72, 84

¹ These panels require an additional 6 inches (152.4 mm) for the box and trim, for proper wire bending space.

Main Lug Kits

Table 8: Mechanical Lug Kits — Aluminum

Panelboard Amps	Kit Catalog Number	Wire Range
100	Standard	#6–2/0 AWG (13.3–67.43 mm ²)
225	Standard	#6–350 kcmil (13.3–177.3 mm ²)
400	Standard	(1) 1/0–750 kcmil (2) 1/0–350 kcmil ([1] 53.48–380 mm ²) ([2] 53.48–177.3 mm ²)
600	Standard	(2) 1/0–750 kcmil ([2] 53.48–380 mm ²)
	NQALM6A	(3) #6–250 kcmil ([3] 13.3–127 mm ²)

Table 9: Mechanical Lug Kits — Copper

Panelboard Amps	Kit Catalog Number	Wire Range
100	NQCUM1	#6–2/0 AWG (13.3–67.43 mm ²)
225	NQCUM2	#6–250 kcmil (13.3–127 mm ²)
400	NQCUM4	(1) 1/0–750 kcmil (2) 1/0–350 kcmil ([1] 53.48–380 mm ²) ([2] 53.48–177.3 mm ²)
600	NQCUM6	

Table 10: Versa-Crimp® Compression Lug Kits — Aluminum

Panelboard Amps	Kit Catalog Number	Wire Range	Crimp Tool
100	NQALV1	#8–1/0 AWG (8.36–53.48 mm ²)	VC6 (All)
225	NQALV2	#4–300 kcmil (21.15–152 mm ²)	
400	NQALV4	(2) 2/0–500 kcmil ([2] 67.43–253.4 mm ²)	VC6-3, VC6-FT
600	NQALV6		

Table 11: Versa-Crimp® Compression Lug Kits — Copper

Panelboard Amps	Kit Catalog Number	Wire Range	Crimp Tool
100	NQCUV1	#6–1/0 AWG (13.30–53.48 mm ²)	VC6 (All), VC7 (All)
225	NQCUV2	2/0–300 kcmil (67.43–152 mm ²)	VC6-3, VC7, VC6-FT, VC7-FT
400	NQCUV4	400–750 kcmil (202.7–380 mm ²)	VC6-FT, VC7-FT, VC8
600	NQCUV6	(2) 250–500 kcmil ([2] 126.7–253.4 mm ²)	VC6-3, VC7, VC6-FT, VC7-FT

Schneider Electric USA, Inc.
1415 S. Roselle Road
Palatine, IL 60067 USA
1-888-SquareD (1-888-778-2733)
www.us.SquareD.com

Electrical equipment should be installed, operated, serviced, and maintained only by qualified personnel. No responsibility is assumed by Schneider Electric for any consequences arising out of the use of this material.

© 2007–2016 Schneider Electric All Rights Reserved
Schneider Electric and Square D are trademarks owned by Schneider Electric Industries SAS or its affiliated companies. All other trademarks are the property of their respective owners.

80043-712-06 Rev. 04, 02/2019
Replaces 80043-712-06

Para los tableros de alumbrado NQ/NQM centros de carga QONQ



Boletín de instrucciones
Clase 1640

Boletín de instrucciones

80043-712-06 Rev. 04

02/2019

Conservar para uso futuro.

ESPAÑOL



by Schneider Electric

Categorías de riesgos y símbolos especiales



Asegúrese de leer detenidamente estas instrucciones y realice una inspección visual del equipo para familiarizarse con él antes de instalarlo, hacerlo funcionar o prestarle servicio de mantenimiento. Los siguientes mensajes especiales pueden aparecer en este boletín o en el equipo para advertirle sobre peligros potenciales o llamar su atención sobre cierta información que clarifica o simplifica un procedimiento.

La adición de cualquiera de estos símbolos a una etiqueta de seguridad de “Peligro” o “Advertencia” indica la existencia de un peligro eléctrico que podrá causar lesiones personales si no se observan las instrucciones.

Este es el símbolo de alerta de seguridad. Se usa para avisar sobre peligros potenciales de lesiones. Respete todos los mensajes de seguridad con este símbolo para evitar posibles lesiones o la muerte.

PELIGRO

PELIGRO indica una situación de peligro inminente que, si no se evita, **podrá** causar la muerte o lesiones serias.

ADVERTENCIA

ADVERTENCIA indica una situación potencialmente peligrosa que, si no se evita, **puede** causar la muerte o lesiones serias.

PRECAUCIÓN

PRECAUCIÓN indica una situación potencialmente peligrosa que, si no se evita, **puede** causar lesiones menores o moderadas.

AVISO

AVISO se usa para hacer notar prácticas no relacionadas con lesiones físicas. El símbolo de alerta de seguridad no se usa con esta palabra de indicación.

NOTA: Proporciona información adicional para clarificar o simplificar un procedimiento.

Observe que

Solamente el personal especializado deberá instalar, hacer funcionar y prestar servicios de mantenimiento al equipo eléctrico. Schneider Electric no asume responsabilidad alguna por las consecuencias emergentes de la utilización de este material.

Contenido

Introducción	5
Precauciones de seguridad	5
Instalación	6
Montaje de interiores en gabinetes marca Square D	6
Montaje de sobreponer (gabinete montado en la pared)	7
Montaje de empotrar (gabinete empotrado en la pared)	7
Instalación de la barra o cable de conexión del neutro	9
Tableros de alumbrado NQ de 100 ó 250 A como máximo	9
Centros de carga QONQ y tableros de alumbrado NQ de 400 ó 600 A como máximo	11
Instalación y desmontaje del interruptor automático QO y QOB	13
Instalación de los interruptores automáticos QO y QOB	14
Desmontaje del interruptor automático QO y QOB	14
Instrucciones para restablecer el interruptor automático	16
Preparación del marco interior	17
Anexo 1: Especificaciones	18
Alambrado típico	18
Interruptor automático principal o de subalimentación:	
DJ, FI, KI, H, J, LA, LC, LH, QB, QD, QG, QJ, QO(B)VH	19
Valores nominales del tablero	23
Marcado CE	33
Anexo 2: Accesorios	34
Kits de barra de tierra del equipo	34
Kits de zapatas extra grande para los tableros de 100 a 250 A	35
Kits de zapatas de subalimentación para los tableros de 100 a 400 A	35
Kits de zapatas principales	36

Lista de tablas

Tabla 1:	Alambrado típico del tablero de alumbrado	18
Tabla 2:	Valores nominales de los interruptores automáticos conectados en serie (simétrico rcm)	23
Tabla 3:	Selectividad de interruptores automáticos para aplicaciones críticas en tableros NQ	39
Tabla 4:	Corriente nominal de cortocircuito para los interiores tipo zapatas principales equipados con zapatas de subalimentación o de paso	40
Tabla 5:	Especificaciones de los kits de barra de tierra del equipo	41
Tabla 6:	Especificaciones de los kits de zapatas extra grande para los tableros de 100 a 250 A	42
Tabla 7:	Especificaciones de los kits de zapatas de subalimentación para los tableros de 100 a 400 A	42
Tabla 8:	Kits de zapatas mecánicas — Aluminio	43
Tabla 9:	Kits de zapatas mecánicas — Cobre	43
Tabla 10:	Kits de zapatas de compresión Versa-Crimp® — Aluminio	43
Tabla 11:	Kits de zapatas de compresión Versa-Crimp — Cobre	44

Lista de figuras

Figura 1:	Montaje del interior en gabinetes marca Square D	8
Figura 2:	Instalación de la barra de conexión del neutro—Tableros de alumbrado NQ de 100 ó 250 A como máximo	11
Figura 3:	Instalación del cable de conexión del neutro—Centros de carga QONQ y tableros de alumbrado NQ de 400 ó 600 A como máximo	12
Figura 4:	Instalación y desmontaje de los interruptores automáticos QO y QOB	15
Figura 5:	Posiciones de la palanca del interruptor automático	16
Figura 6:	Diagrama del marco interior	17
Figura 7:	Diagrama del tablero con zapatas principales NQ/NQM de 100–225 A o interruptor automático principal de 100–250 A	19
Figura 8:	Diagrama del tablero NQ o centro de carga QONQ con zapatas principales de 400–600 A o interruptor automático principal con o sin zapatas de paso	20
Figura 9:	Diagrama del tablero NQ o centro de carga QONQ con interruptor automático principal de 400–600 A con zapatas de paso o interruptores automáticos de subalimentación	21
Figura 10:	Diagrama del tablero de alumbrado NQ típico con barras divididas	22

Introducción

Este boletín contiene las instrucciones de instalación de los centros de carga QONQ y de los tableros de alumbrado NQ de interruptores automáticos marca Square D™. Estos centros de carga y tableros de alumbrado han sido registrados con Underwriters Laboratories (cULus) y aceptan interruptores automáticos derivados QO™ y QOB.

NOTA: Para obtener asistencia técnica sobre la instalación de este tablero de alumbrado, póngase en contacto con el centro de información al cliente de Schneider Electric llamando al 1-888-778-2733 (en EUA).

NOTA: Consulte las etiquetas en el equipo para obtener información de seguridad y valores nominales. Con este documento se incluyen etiquetas adicionales del equipo.

Precauciones de seguridad

PELIGRO

PELIGRO DE DESCARGA ELÉCTRICA, EXPLOSIÓN O DESTELLO POR ARQUEO

- Utilice equipo de protección personal (EPP) apropiado y siga las prácticas de seguridad eléctrica establecidas por su Compañía, consulte la norma 70E de NFPA, Z462 de CSA y NOM-029-STPS.
- Solamente el personal eléctrico calificado deberá instalar y prestar servicio de mantenimiento a este equipo.
- Desenergice (O) el equipo antes de realizar cualquier trabajo dentro o fuera de él.
- Siempre utilice un dispositivo detector de tensión adecuado para confirmar la desenergización del equipo.
- Asegúrese de leer y entender todo el contenido de este boletín de instrucciones así como la publicación de normas NEMA PB 1.1 (incluida) antes de instalar, hacer funcionar o prestar servicio de mantenimiento a este equipo.
- Las normas locales varían, se aceptan y hacen cumplir para fomentar la seguridad en instalaciones eléctricas. Es posible que necesite un permiso para realizar el trabajo eléctrico, y en algunos casos, algunos reglamentos pueden requerir una inspección del trabajo eléctrico efectuado.
- Vuelva a colocar todos los dispositivos, las puertas y las cubiertas antes de volver a energizar el equipo.

El incumplimiento de estas instrucciones podrá causar la muerte o lesiones serias.



ADVERTENCIA: Este producto puede exponerle a químicos incluyendo compuestos de níquel, que son conocidos por el Estado de California como causantes de cáncer, y Bisfenol A (BPA), que es conocido por el Estado de California como causante de defectos de nacimiento u otros daños reproductivos. Para mayor información, visite www.P65Warnings.ca.gov.

Instalación

Esta sección proporciona instrucciones para los siguientes procedimientos de los tableros NQ y de los centros de carga QONQ:

- Montaje de interiores en gabinetes marca Square D
- "Instalación de la barra o cable de conexión del neutro" en la página 9
- "Instalación y desmontaje del interruptor automático QO y QOB" en la página 13
- "Instrucciones para restablecer el interruptor automático" en la página 16
- "Preparación del marco interior" en la página 17

Montaje de interiores en gabinetes marca Square D

Con este equipo, se ha incluido (por separado) la publicación de normas NEMA PB1.1 "Instrucciones generales apropiadas de instalación, funcionamiento y servicios de mantenimiento de tableros de alumbrado de 600 V o menos". Familiarícese con el contenido de este documento antes de continuar con los siguientes procedimientos.

Si no recibió una copia de esta publicación, o si tiene alguna pregunta con respecto al equipo, póngase en contacto con su distribuidor o representante local de Schneider Electric.

AVISO

PELIGRO DE DAÑO AL EQUIPO DEBIDO A CONEXIONES FLOJAS

- Asegúrese de que todas las conexiones estén bien apretadas.
- Consulte la etiqueta de información de par de apriete incluida con el tablero antes de apretar las conexiones.

El incumplimiento de estas instrucciones puede causar daño al equipo.

Para montar e instalar correctamente el interior de un tablero NQ o centro de carga QONQ, consulte la publicación de normas NEMA PB 1.1, y siga las instrucciones a continuación para “Montaje de sobreponer (gabinete montado en la pared)” en la página 7 o “Montaje de empotrar (gabinete empotrado en la pared)” en la página 7.

Montaje de sobreponer (gabinete montado en la pared)

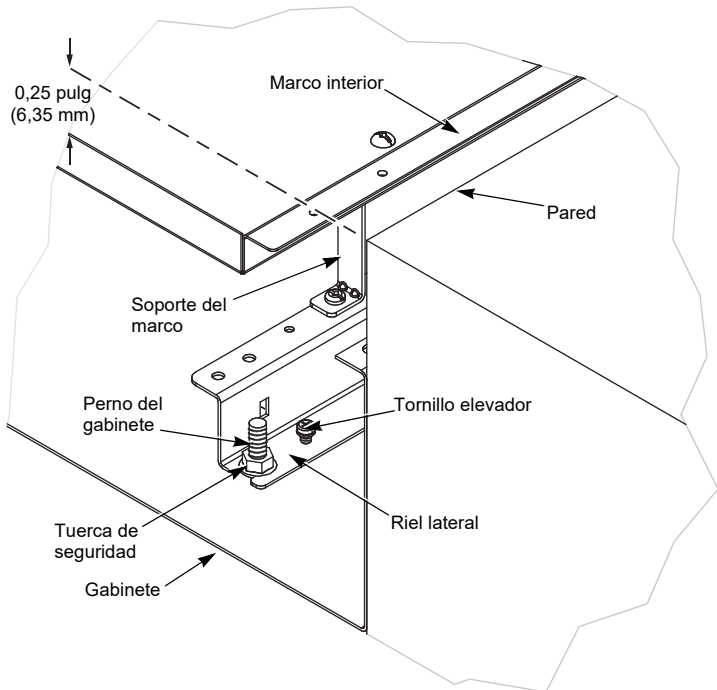
1. Monte el gabinete como se indica en la publicación de normas NEMA PB 1.1.
2. Retire el marco interior de sus soportes.
3. Instale el interior como se describe a continuación:
 - a. Coloque el interior sobre los pernos del gabinete. No es necesario un tornillo elevador (vea la figura 1 en la página 8).
 - b. Apriete las tuercas de seguridad en los rieles laterales del interior hasta que los rieles estén bien apoyados en la parte trasera del gabinete.
 - c. Vuelva a montar el marco interior después de realizar el alambrado.
4. Si se utiliza como equipo de entrada de acometida, será necesaria una conexión del neutro. Consulte las instrucciones en “Instalación de la barra o cable de conexión del neutro” en la página 9.
5. Coloque las etiquetas del equipo (situadas en la bolsa de accesorios) siguiendo las instrucciones de la etiqueta colocada en la parte trasera del marco interior.

Montaje de empotrar (gabinete empotrado en la pared)

1. Monte el gabinete como se indica en la publicación de normas NEMA PB 1.1.
2. Retire el marco interior de sus soportes.
3. Instale el interior como se describe a continuación:
 - a. Rosque los (4) tornillos elevadores autorroscantes de 10-32 x 0,875 pulg. (incluidos con el marco para empotrar) en los rieles laterales.
 - b. Coloque el interior sobre los pernos del gabinete (vea la figura 1 en la página 8). Coloque las tuercas de seguridad sobre los pernos del gabinete, sin apretarlas.

- c. Ajuste los tornillos de manera que el reborde del marco interior se encuentre 0,25 pulg (6,35 mm) de la pared.
 - d. Apriete las tuercas de seguridad en los rieles laterales.
 - e. Vuelva a montar el marco interior después de realizar el alumbrado.
4. Si se utiliza como equipo de entrada de acometida, será necesaria una conexión del neutro. Consulte las instrucciones en "Instalación de la barra o cable de conexión del neutro" en la página 9.
 5. Coloque las etiquetas del equipo (situadas en la bolsa de accesorios) siguiendo las instrucciones de la etiqueta colocada en la parte trasera del marco interior.

Figura 1: Montaje del interior en gabinetes marca Square D



Instalación de la barra o cable de conexión del neutro

La barra o el cable de conexión del neutro deberá usarse sólo cuando el tablero de alumbrado ha sido **instalado** como equipo de acometida.

Para conectar correctamente el neutro al tablero, siga las instrucciones para Tableros de alumbrado NQ de 100 ó 250 A como máximo o Centros de carga QONQ y tableros de alumbrado NQ de 400 ó 600 A como máximo en las páginas 9 y 11, respectivamente.

PELIGRO

PELIGRO DE DESCARGA ELÉCTRICA, EXPLOSIÓN O DESTELLO POR ARQUEO

- Utilice equipo de protección personal (EPP) apropiado y siga las prácticas de seguridad eléctrica establecidas por su Compañía, consulte la norma 70E de NFPA, Z462 de CSA y NOM-029-STPS.
- Desenergice el equipo antes de realizar cualquier trabajo dentro o fuera de él.
- La barra/cable de conexión del neutro deberá usarse sólo cuando el tablero de alumbrado ha sido instalado como equipo de acometida.
- No mezcle los tornillos de montaje con los tornillos del marco interior.

El incumplimiento de estas instrucciones podrá causar la muerte o lesiones serias.

NOTA: Las piezas de la barra o cable de conexión del neutro se encuentran en la bolsa de accesorios incluida con el interior.

Tableros de alumbrado NQ de 100 ó 250 A como máximo

Para instalar la barra de conexión del neutro en un tablero NQ de 100 ó 250 A como máximo, consulte la figura 2 en la página 11 y siga las instrucciones a continuación.

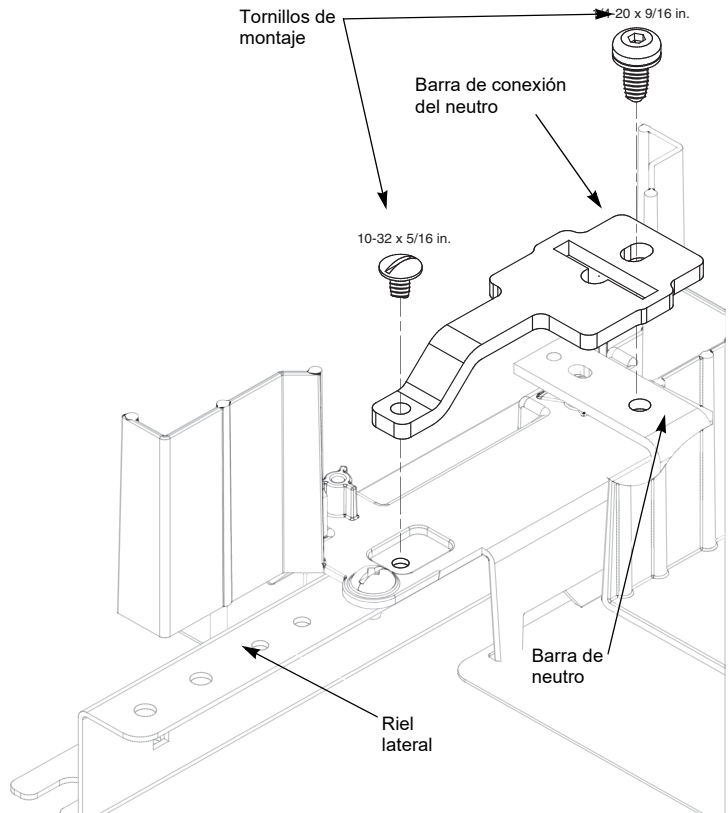
1. Alinee la barra en el riel lateral, como se ilustra.

NOTA: En algunas aplicaciones, tal vez sea necesario retirar la zapata (no ilustrada) antes de instalar la barra de conexión del neutro.

2. Inserte los dos tornillos de montaje, como se ilustra. Apriete el tornillo de 10-32 de 1,1–1,4 N•m (10–12 lbs-pulg) y el tornillo de 1/4-20 de 2,8–3,4 N•m (25–30 lbs-pulg).

NOTA: Si la zapata fue retirada en el paso 1 arriba, vuélvala a instalar encima de la barra de conexión del neutro. Utilice el tornillo de montaje de zapatas de 1/4-20 x 11/16 pulg. en aplicaciones con zapata de paso, zapata de subalimentación, interruptor automático de subalimentación, o bien, con aplicaciones de neutro al 200%. Utilice el tornillo de montaje de zapatas de 1/4-20 x 7/8 pulg. en aplicaciones de 225 A con el neutro al 200% y con zapatas de paso, zapatas de subalimentación o interruptores automáticos de subalimentación. Los tornillos de montaje de la zapata vienen incluidos en la bolsa de accesorios de la barra.

**Figura 2: Instalación de la barra de conexión del neutro—
Tableros de alumbrado NQ de 100 ó 250 A como máximo**



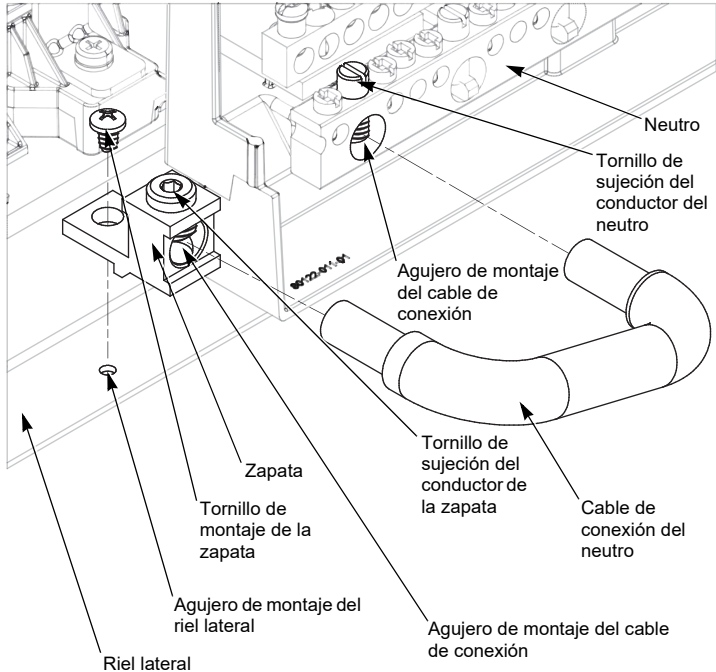
Centros de carga QONQ y tableros de alumbrado NQ de 400 ó 600 A como máximo

Para instalar un cable de conexión del neutro en un centro de carga QONQ y tablero NQ de 400 ó 600 A como máximo, consulte la figura 3 y siga las instrucciones a continuación.

1. Alinee la zapata en el agujero de montaje del riel lateral, como se ilustra.
2. Apriete el tornillo de montaje de la zapata en el riel lateral de 1,1 a 1,4 N•m (10 a 12 lbs-pulg).

3. Alinee el cable de conexión del neutro, como se ilustra, e insértelo en la zapata y agujeros de montaje del neutro.
4. Apriete ambos tornillos de sujeción del conductor del neutro y del conductor de la zapata de 5,1 a 5,6 N•m (45 a 50 lbs-pulg).

Figura 3: Instalación del cable de conexión del neutro—Centros de carga QONQ y tableros de alumbrado NQ de 400 ó 600 A como máximo



Instalación y desmontaje del interruptor automático QO y QOB

PELIGRO

PELIGRO DE DESCARGA ELÉCTRICA, EXPLOSIÓN O DESTELLO POR ARQUEO

- Utilice equipo de protección personal (EPP) apropiado y siga las prácticas de seguridad eléctrica establecidas por su Compañía, consulte la norma 70E de NFPA, Z462 de CSA y NOM-029-STPS.
- Solamente el personal eléctrico calificado deberá instalar y prestar servicio de mantenimiento a este equipo.
- Desenergice el equipo antes de realizar cualquier trabajo en él.
- Siempre utilice un dispositivo detector de tensión adecuado para confirmar la desenergización del equipo.
- Todos los espacios sin utilizar deben cubrirse con placas de relleno.
- Vuelva a colocar todos los dispositivos, las puertas y las cubiertas antes de volver a energizar el equipo.

El incumplimiento de estas instrucciones podrá causar la muerte o lesiones serias.

Instalación de los interruptores automáticos QO y QOB

Consulte la figura 4 en la página 15 para completar las siguientes instrucciones.

1. Desenergice (Off/O) el tablero.
2. Mueva la palanca del interruptor automático QO(B) a la posición de abierto (Off/O).
3. Retire el marco interior.
4. Encaje en el riel de montaje el extremo del interruptor automático correspondiente a la terminal de alambrado del lado de carga.
5. Enganche el conector del lado de línea.

Para los interruptores automáticos QO:

- a. Empuje hacia dentro hasta que las mordazas enchufables se enganchen completamente en el conector del lado de línea.

Para los interruptores automáticos QOB:

- a. Empuje hacia adentro hasta que el conector del interruptor automático esté centrado con el agujero de montaje del conector. Enganche el tornillo en el agujero del conector y apriételo en los valores de par de apriete especificados en los diagramas de alambrado del interior.

6. Instale el conductor de carga.
7. Vuelva a instalar el marco interior.

Desmontaje del interruptor automático QO y QOB

Consulte la figura 4 en la página 15 para completar las siguientes instrucciones.

1. Desenergice (Off/O) el tablero.
2. Retire el marco interior.
3. Retire el conductor de carga.
4. Desenganche el conector derivado.

Para los interruptores automáticos QO:

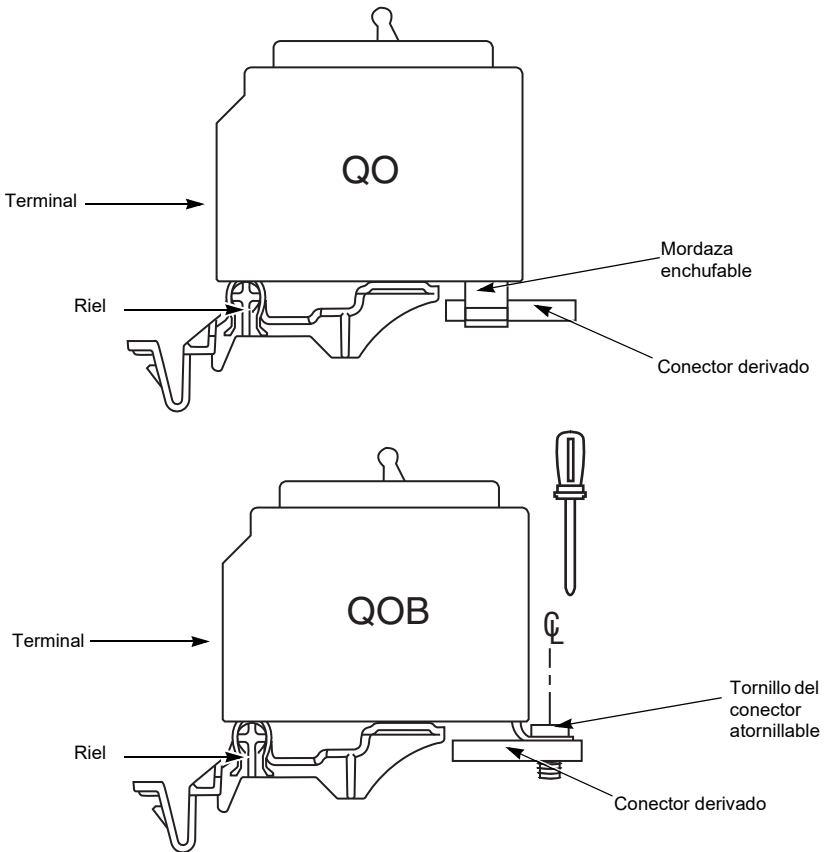
- a. Jale hacia fuera hasta que las mordazas enchufables se desenganchen completamente del conector del lado de línea.

Para los interruptores automáticos QOB:

- a. Afloje el tornillo en el conector del interruptor automático y desengánchelo del conector del lado de línea.

5. Desenganche el extremo del interruptor automático correspondiente a la terminal del riel de montaje .
6. Vuelva a instalar el marco interior.

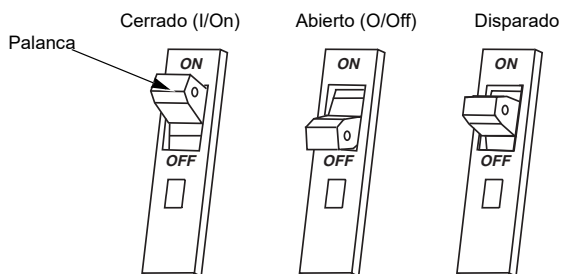
Figura 4: Instalación y desmontaje de los interruptores automáticos QO y QOB



Instrucciones para restablecer el interruptor automático

Si se dispara el interruptor automático, la palanca se encontrará en la posición intermedia entre la posición de abierto (O/Off) y cerrado (I/On). Para restablecer el interruptor automático, mueva la palanca a la posición de abierto (O/Off) y luego a la posición de cerrado (I/On).

Figura 5: Posiciones de la palanca del interruptor automático



Preparación del marco interior

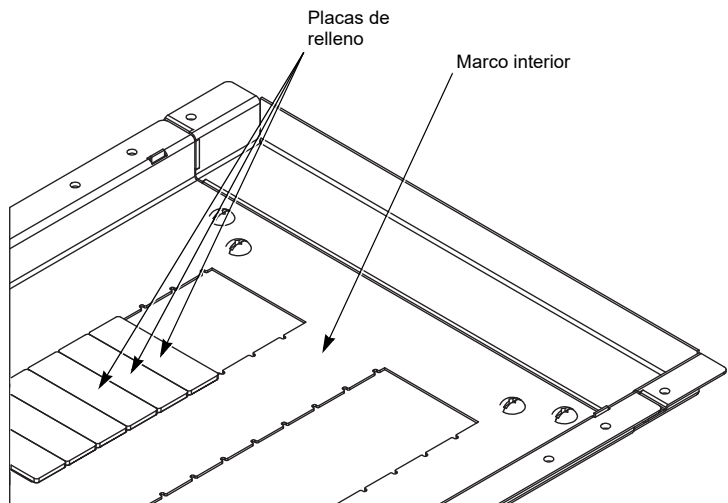
⚠ PELIGRO

PELIGRO DE DESCARGA ELÉCTRICA, EXPLOSIÓN O DESTELLO POR ARQUEO

- Utilice equipo de protección personal (EPP) apropiado y siga las prácticas de seguridad eléctrica establecidas por su Compañía, consulte la norma 70E de NFPA, Z462 de CSA y NOM-029-STPS.
- Antes de energizar el tablero de alumbrado, todos los espacios sin utilizar deben cubrirse con placas de relleno.
- Vuelva a colocar todos los dispositivos, las puertas y las cubiertas antes de energizar este equipo.

El incumplimiento de estas instrucciones podrá causar la muerte o lesiones serias.

Figura 6: Diagrama del marco interior



NOTA: La parte posterior del marco interior contiene una lista de números de catálogo para las placas de relleno compatibles correspondientes.

Anexo 1: Especificaciones

Alambrado típico

Tabla 1: Alambrado típico del tablero de alumbrado¹

Tensión de ~ (c.a.)	Tableros de alumbrado de 1 fase		Tableros de alumbrado de 3 fases	
	Fase	Conductores	Fase	Conductores
208Y/120	—	—	3	4
120/240	1	3	—	—
240 ²	1	2	3	3
240 ³	1	3	—	—
240/120 ⁴	—	—	3	4, delta

- ¹ El tablero de alumbrado incluye información adicional. Consulte el valor nominal del interruptor automático principal, si se usa.
- ² Para este sistema no se utiliza el neutro y sólo se deben utilizar interruptores automáticos de 240 V~ (c.a.) como mínimo. No utilice interruptores automáticos de 120 ó 120/240 V~ (c.a.).
- ³ Para un sistema con fase "B" conectada a tierra, sólo se deben utilizar interruptores automáticos de 240 V~ (c.a.) como mínimo. No utilice interruptores automáticos de 120 ó 120/240 V~ (c.a.).
- ⁴ Cuando las conexiones son para un sistema delta, las fases "A" y "C" deben ser de 120 V a neutro, la fase "B" de 208 V a neutro. Conecte sólo interruptores automáticos de 240 V~ (c.a.) como mínimo. No utilice interruptores automáticos de 120 ó 120/240 V en la fase "B".

Interruptor automático principal o de subalimentación:
DJ, FI, KI, H, J, LA, LC, LH, QB, QD, QG, QJ, QO(B)VH

Figura 7: Diagrama del tablero con zapatas principales NQ/NQM de 100–225 A o interruptor automático principal de 100–250 A

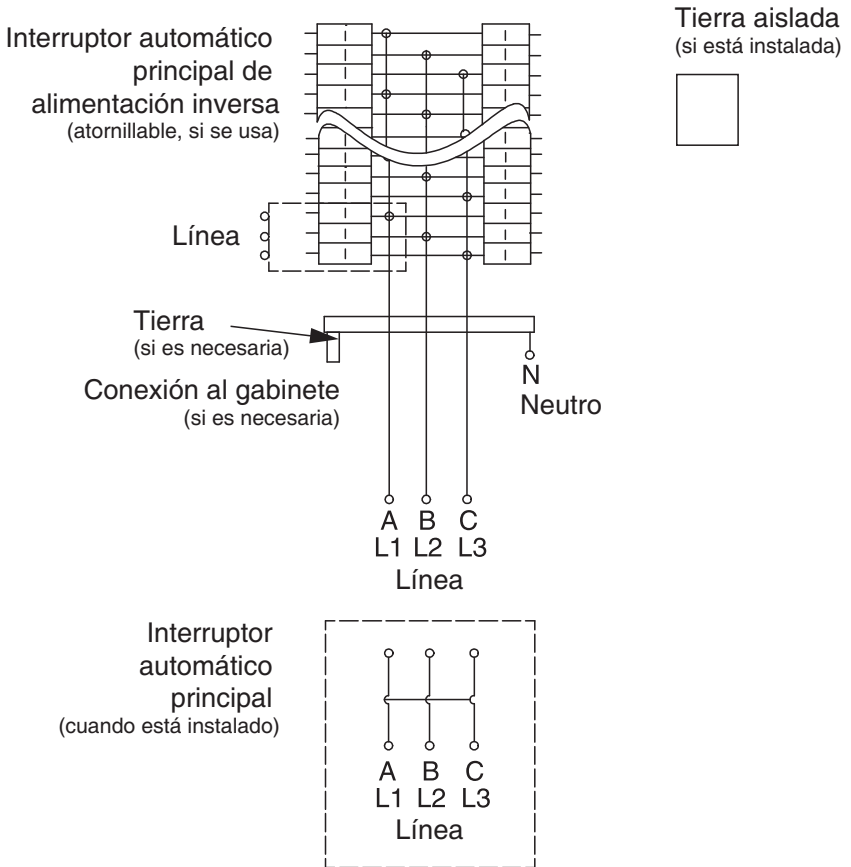


Figura 8: Diagrama del tablero NQ o centro de carga QONQ con zapatas principales de 400–600 A o interruptor automático principal con o sin zapatas de paso

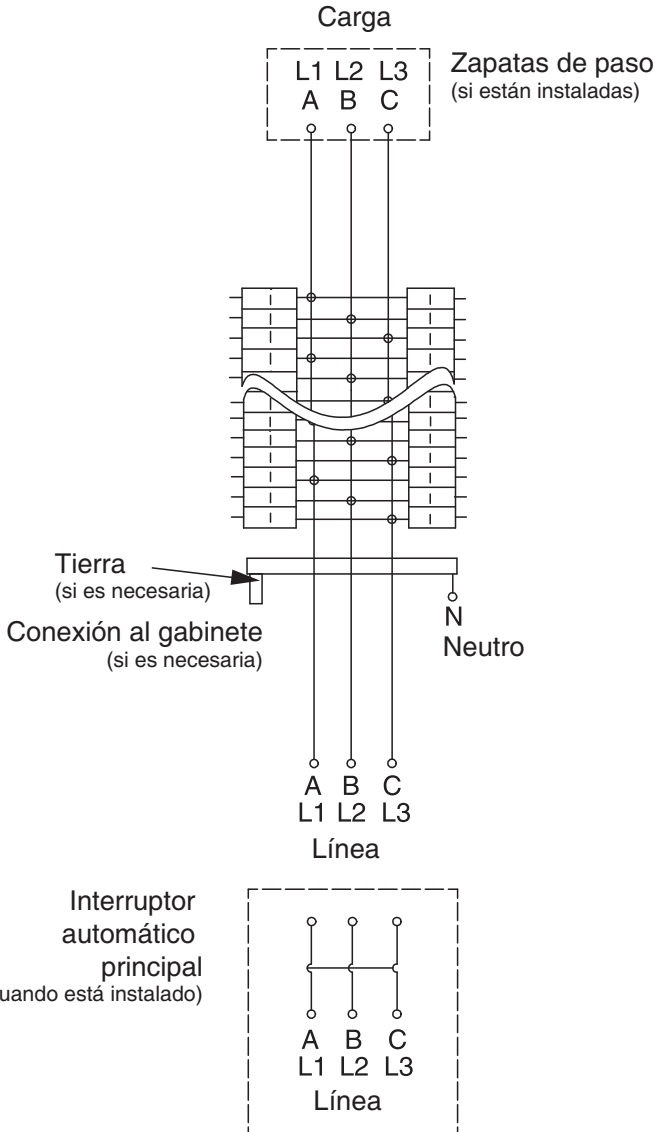
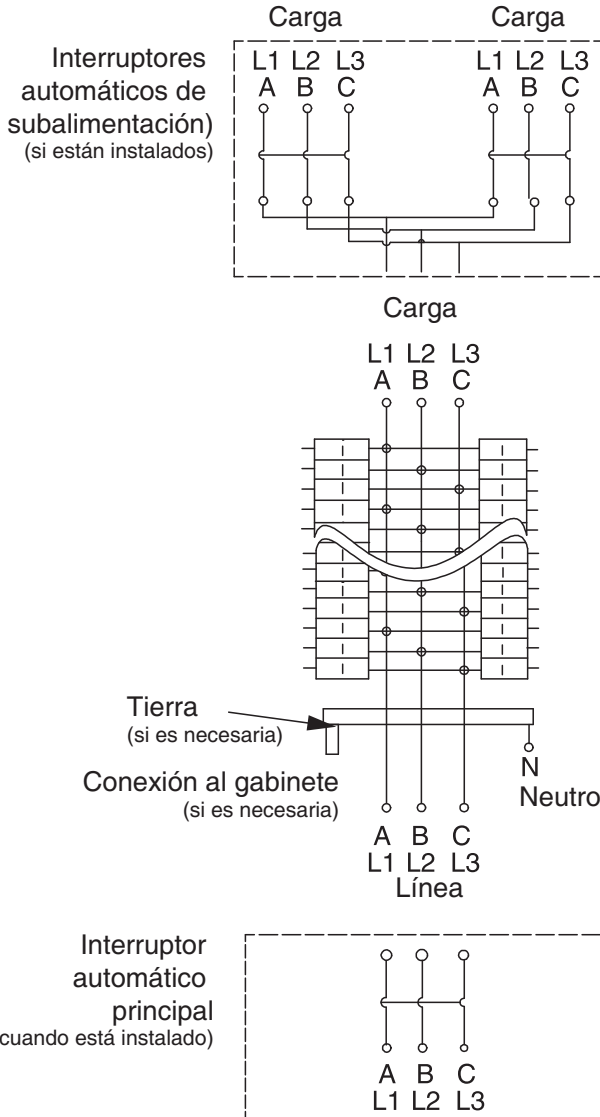
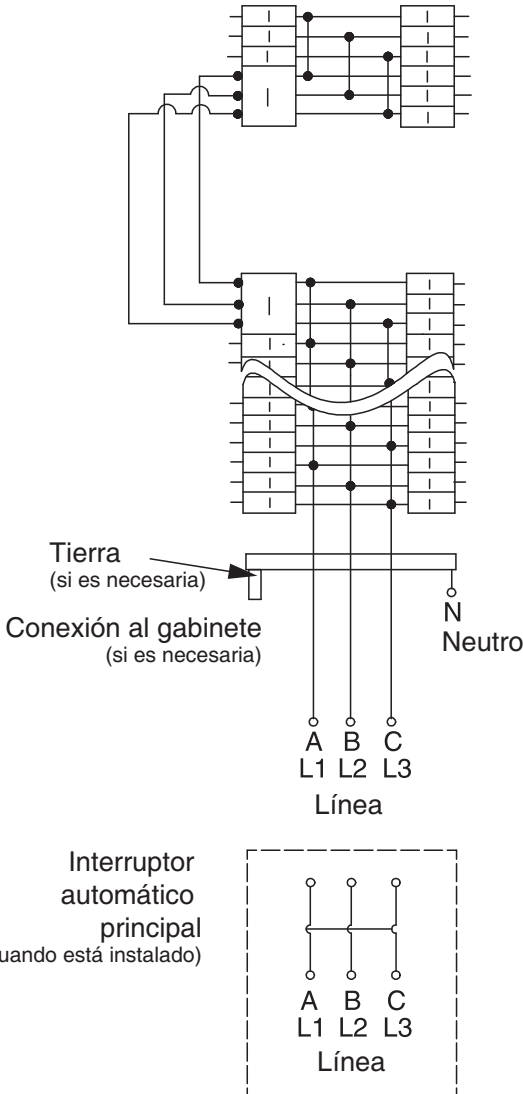


Figura 9: Diagrama del tablero NQ o centro de carga QONQ con interruptor automático principal de 400–600 A con zapatas de paso o interruptores automáticos de subalimentación



ESPAÑOL

Figura 10: Diagrama del tablero de alumbrado NQ típico con barras divididas



Valores nominales del tablero

Consulte la sección 110-22 del NEC y de la NOM-001-SEDE y la norma 14-014 de CEC para obtener más información. La etiqueta del sistema en serie se encuentra en la bolsa de accesorios.

Table 2: Valores nominales de disyuntores conectados en serie (RMS simétrico)

Tensión CA máxima del sistema ^{1, 2}	Corriente de cortocircuito nominal máxima	Disyuntores principales integrales o remotos y fusibles principales remotos, marca Square D ^{3, 4, 5, 6}	Designación de número de catálogo e intervalos de corriente permitidos de disyuntores de derivación de la marca Square D ^{7, 8, 9}			
			Tipo	Unipolar	Bipolar	Tripolar
120/240 1P/3W 208Y/120 3P/4W 240/120 3P/4W	18,000	LA/LH MC	QO (B)	15-30 A	15-30 A	—
	22,000	QO (B) VH QOB-VH	QO (B)	15-70 A	15-125 A	—
			QO (B) GFI	15-30 A	15-60 A	—
			QO (B) EPD	15-30 A	15-60 A	—
			QO (B) PL	15-30 A	15-60 A	—
			QO (B) AFI	15-20 A	—	—
			QO (B) CAFI	15-20 A	15-20 A	—
			QO (B) DF	15-20 A	—	—
	25,000	QD	QO (B)	15-70 A	15-125 A	—
			QOB-VH	—	150 A	—
			QO (B) PL	15-30 A	15-60 A	—
			QO (B) GFI	15-30 A	15-60 A	—
			QO (B) EPD	15-30 A	15-60 A	—
			QO (B) AFI	15-20 A	—	—
			QO (B) CAFI	15-20 A	15-20 A	—
		QO (B) DF	15-20 A	—	—	
		ED, FD	QO (B)	15-70 A	15-125 A	—
			QO (B) GFI	15-30 A	15-60 A	—
			QO (B) EPD	15-30 A	15-60 A	—
			QO (B) AFI	15-20 A	—	—
			QO (B) CAFI	15-20 A	15-20 A	—
			QO (B) DF	15-20 A	—	—
	BD, HD, JD, LD		QO (B)	15-70 A	15-125 A	—
		QOB-VH	—	150 A	—	
		QO (B) PL	15-30 A	15-60 A	—	
		QO (B) GFI	15-30 A	15-60 A	—	
		QO (B) EPD	15-30 A	15-60 A	—	
		QO (B) AFI	15-20 A	—	—	

Continued on next page

Table 2: Valores nominales de disyuntores conectados en serie (RMS simétrico) (continuación)

Tensión CA máxima del sistema ^{1, 2}	Corriente de cortocircuito nominal máxima	Disyuntores principales integrales o remotos y fusibles principales remotos, marca Square D ^{3, 4, 5, 6}	Designación de número de catálogo e intervalos de corriente permitidos de disyuntores de derivación de la marca Square D ^{7, 8, 9}			
			Tipo	Unipolar	Bipolar	Tripolar
ESPAÑOL 120/240 1P/3W 208Y/120 3P/4W 240/120 3P/4W	25,000	BD, HD, JD, LD	QO (B) CAFI	15-20 A	15-20 A	—
			QO (B) DF	15-20 A	—	—
	42,000	LA, MA LC 400 A LC 600 A	QO (B)	15-30 A	15-30 A	—
			QO (B)	15-70 A	15-70 A	—
			QO (B) GFI	15-30 A	15-60 A	—
			QO (B) EPD	15-30 A	15-60 A	—
			QO (B)	15-30 A	15-30 A	—
			QO (B) GFI	15-30 A	15-60 A	—
	65,000	LC 400 A	QO (B) EPD	15-30 A	15-60 A	—
			QO (B) VH	15-70 A	15-125 A	—
			QOB-VH	—	150 A	—
			QO (B) GFI	15-30 A	—	—
			QO (B) EPD	15-30 A	—	—
			QO (B) AFI	15-20 A	—	—
		LC 600 A	QO (B) CAFI	15-20 A	15-20 A	—
			QO (B) DF	15-20 A	—	—
			QO (B)	15-70 A	15-100 A	—
			QO (B) VH	15-70 A	15-125 A	—
			QO (B) GFI	15-30 A	15-60 A	—
			QO (B) EPD	15-30 A	15-60 A	—
		DJ-W 150-600 A MC	QO (B) AFI	15-20 A	—	—
			QO (B) CAFI	15-20 A	15-20 A	—
	QO (B) DF		15-20 A	—	—	
	QO (B)		15-70 A	15-125 A	—	
	QO (B) VH		15-70 A	15-125 A	—	
	QOB-VH		—	150 A	—	
	QO (B) GFI		15-30 A	15-60 A	—	
	QO (B) PL		15-30 A	15-60 A	—	
QG	QO (B) AFI	15-20 A	—	—		
	QO (B) CAFI	15-20 A	15-20 A	—		
	QO (B) DF	15-20 A	—	—		

Continued on next page

Table 2: Valores nominales de disyuntores conectados en serie (RMS simétrico) (continuación)

Tensión CA máxima del sistema ^{1, 2}	Corriente de cortocircuito nominal máxima	Disyuntores principales integrales o remotos y fusibles principales remotos, marca Square D ^{3, 4, 5, 6}	Designación de número de catálogo e intervalos de corriente permitidos de disyuntores de derivación de la marca Square D ^{7, 8, 9}			
			Tipo	Unipolar	Bipolar	Tripolar
120/240 1P/3W 208Y/120 3P/4W 240/120 3P/4W	65,000	EG, FG	QO (B)	15-70 A	15-125 A	—
			QO (B) GFI	15-30 A	15-60 A	—
			QO (B) EPD	15-30 A	15-60 A	—
			QO (B) EPE	—	—	—
			QO (B) AFI	15-20 A	—	—
			QO (B) CAFI	15-20 A	15-20 A	—
			QO (B) DF	15-20 A	—	—
		BG, HG, JG, LG	QO (B)	15-70 A	15-125 A	—
			QOB-VH	—	150 A	—
			QO (B) PL	15-30 A	15-60 A	—
			QO (B) GFI	15-30 A	15-60 A	—
			QO (B) EPD	15-30 A	15-60 A	—
			QO (B) AFI	15-20 A	—	—
			QO (B) CAFI	15-20 A	15-20 A	—
	100,000	FC, KC	QO (B)	15-70 A	15-100 A	—
			QO (B)	15-70 A	15-125 A	—
		DJ 400 A	QOB-VH	—	150 A	—
			QO (B) GFI	15-30 A	15-60 A	—
			QO (B) EPD	15-30 A	15-60 A	—
			QO (B) AFI	15-20 A	—	—
			QO (B) CAFI	15-20 A	15-20 A	—
			QO (B) DF	15-20 A	—	—
		QJ	QO (B)	15-70 A	15-125 A	—
			QOB-VH	—	150 A	—
			QO (B) PL	15-30 A	15-60 A	—
			QO (B) GFI	15-30 A	15-60 A	—
			QO (B) EPD	15-30 A	15-60 A	—
			QO (B) AFI	15-20 A	—	—
QO (B) CAFI	15-20 A		15-20 A	—		
QO (B) DF	15-20 A		—	—		

Continued on next page

Table 2: Valores nominales de disyuntores conectados en serie (RMS simétrico) (continuación)

Tensión CA máxima del sistema ^{1, 2}	Corriente de cortocircuito nominal máxima	Disyuntores principales integrales o remotos y fusibles principales remotos, marca Square D ^{3, 4, 5, 6}	Designación de número de catálogo e intervalos de corriente permitidos de disyuntores de derivación de la marca Square D ^{7, 8, 9}			
			Tipo	Unipolar	Bipolar	Tripolar
120/240 1P/3W 208Y/120 3P/4W 240/120 3P/4W	100,000	EJ	QO (B)	15-70 A	15-125 A	—
			QO (B) GFI	15-30 A	15-60 A	—
			QO (B) EPD	15-30 A	15-60 A	—
			QO (B) AFI	15-20 A	—	—
			QO (B) CAFI	15-20 A	15-20 A	—
			QO (B) DF	15-20 A	—	—
		FJ	QO (B)	15-70 A	15-125 A	—
		BJ, HJ, JJ	QO (B)	15-70 A	15-125 A	—
			QOB-VH	—	150 A	—
			QO (B) PL	15-30 A	15-60 A	—
			QO (B) GFI	15-30 A	15-60 A	—
			QO (B) EPD	15-30 A	15-60 A	—
			QO (B) AFI	15-20 A	—	—
		LJ	QO (B) CAFI	15-20 A	15-20 A	—
			QO (B) DF	15-20 A	—	—
			QO (B)	15-70 A	15-125 A	—
			QOB-VH	—	150 A	—
			QO (B) GFI	—	15-60 A	—
	QO (B) EPD		—	15-60 A	—	
	125,000	HL, JL	QO (B) AFI	15-20 A	—	—
			QO (B) CAFI	15-20 A	15-20 A	—
			QO (B) DF	15-20 A	—	—
			QO (B)	15-70 A	15-125 A	—
			QOB-VH	—	150 A	—
			QO (B) PL	15-30 A	15-60 A	—
			QO (B) GFI	15-30 A	15-60 A	—
			QO (B) EPD	15-30 A	15-60 A	—
	QO (B) AFI	15-20 A	—	—		
QO (B) CAFI	15-20 A	15-20 A	—			
QO (B) DF	15-20 A	—	—			

Continued on next page

Table 2: Valores nominales de disyuntores conectados en serie (RMS simétrico) (continuación)

Tensión CA máxima del sistema ^{1, 2}	Corriente de cortocircuito nominal máxima	Disyuntores principales integrales o remotos y fusibles principales remotos, marca Square D ^{3, 4, 5, 6}	Designación de número de catálogo e intervalos de corriente permitidos de disyuntores de derivación de la marca Square D ^{7, 8, 9}			
			Tipo	Unipolar	Bipolar	Tripolar
120/240 1P/3W 208Y/120 3P/4W 240/120 3P/4W	200,000	HR, JR	QO (B)	15-70 A	15-125 A	—
			QO (B) GFI	15-30 A	15-60 A	—
			QO (B) EPD	15-30 A	15-60 A	—
			QO (B) AFI	15-20 A	—	—
			QO (B) CAFI	15-20 A	15-20 A	—
			QO (B) DF	15-20 A	—	—
240 1P/2W	25,000	QD, BD, HD, JD, LD	QO (B) H	—	15-100 A	—
	42,000	LA, MA	QDL	—	70-225 A	—
	65,000	DJ 400 A, QG, BG, HG, JG, LG	QO (B) H	—	15-100 A	—
	100,000	DJ 400 A, BJ, HJ, JJ, LJ	QO (B) H	—	15-100 A	—
	125,000	HL, JL	QO (B) H	—	15-100 A	—
208Y/120 3P/4W	18,000	LA/LH MC	QO (B)	—	—	15-30 A
	22,000	QO (B) VH, QOB-VH	QO (B) GFI	—	—	15-50 A
	25,000	QD, ED, FD, BD, HD, JD	QO (B) GFI	—	—	15-50 A
		LD	QO (B) GFI	—	—	15-30 A
	65,000	DJ-W 150-600 A MC	QO (B) VH	—	—	15-100 A
			QOB-VH	—	—	110-150 A
		QG, EG, FG, BG, HG, JG	QO (B) GFI	—	—	15-50 A
		LC, DG, DJ, DL, LG	QO (B) GFI	—	—	15-30 A
	100,000	DJ 400 A	QO (B) VH	—	—	15-100 A
			QOB-VH	—	—	110-150 A
		QJ	QO (B)	—	—	15-30 A
			QO (B) VH	—	—	15-100 A
			QOB-VH	—	—	110-150 A
QO (B) PL			—	—	15-30 A	
QO (B) GFI			—	—	15-50 A	
QO (B) EPD			—	—	15-50 A	
QO (B) EPE			—	—	15-50 A	
QO (B) GFI			—	—	15-50 A	
EJ, BJ, HJ, JJ	QO (B) GFI	—	—	15-50 A		

Continued on next page

Table 2: Valores nominales de disyuntores conectados en serie (RMS simétrico) (continuación)

Tensión CA máxima del sistema ^{1, 2}	Corriente de cortocircuito nominal máxima	Disyuntores principales integrales o remotos y fusibles principales remotos, marca Square D ^{3, 4, 5, 6}	Designación de número de catálogo e intervalos de corriente permitidos de disyuntores de derivación de la marca Square D ^{7, 8, 9}			
			Tipo	Unipolar	Bipolar	Tripolar
240/120 3P/4W 240 3P/3W	22,000	QO (B) VH QOB-VH	QO (B)	—	—	15-100 A
			QO (B) EPD	—	—	15-50 A
			QO (B) EPE	—	—	15-50 A
	25,000	QD	QO (B)	—	—	15-30 A
			QO (B) VH	—	—	15-100 A
			QOB-VH	—	—	110-150 A
			QO (B) PL	—	—	15-30 A
			QO (B) EPD	—	—	15-50 A
			QO (B) EPE	—	—	15-50 A
		ED, FD	QO (B)	—	—	15-100 A
			QO (B) EPD	—	—	15-50 A
			QO (B) EPE	—	—	15-50 A
		BD, HD, JD	QO (B)	—	—	15-100 A
			QOB-VH	—	—	110-150 A
			QO (B) PL	—	—	15-30 A
			QO (B) EPD	—	—	15-50 A
		LD	QO (B) EPE	—	—	15-50 A
			QO (B) VH	—	—	15-100 A
			QOB-VH	—	—	110-150 A
			QO (B) EPD	—	—	15-30 A
		42,000	LA, MA	QO (B) EPE	—	—
	QDL			—	—	70-225 A
	LC		QO (B) VH	—	—	15-30 A
	65,000	MG	QO (B) VH	—	—	15-100 A
		LC 400 A	QOB-VH	—	—	110-150 A
			QO (B) VH	—	—	15-100 A
			QO (B) EPD	—	—	15-30 A
LC 600 A		QO (B) EPD	—	—	15-30 A	
		QO (B) EPE	—	—	15-30 A	
DJ 400 A		QO (B) VH	—	—	15-100 A	
	QOB-VH	—	—	110-150 A		

Continued on next page

Table 2: Valores nominales de disyuntores conectados en serie (RMS simétrico) (continuación)

Tensión CA máxima del sistema ^{1, 2}	Corriente de cortocircuito nominal máxima	Disyuntores principales integrales o remotos y fusibles principales remotos, marca Square D ^{3, 4, 5, 6}	Designación de número de catálogo e intervalos de corriente permitidos de disyuntores de derivación de la marca Square D ^{7, 8, 9}				
			Tipo	Unipolar	Bipolar	Tripolar	
240/120 3P/4W 240 3P/3W	65,000	DJ, DG, DL 150-600 A	QO (B) EPD	—	—	15-30 A	
			QO (B) EPE	—	—	15-30 A	
		QG	QO (B)	—	—	15-30 A	
			QO (B) VH	—	—	15-100 A	
			QOB-VH	—	—	110-150 A	
			QO (B) PL	—	—	15-30 A	
		EG, FG	QO (B)	—	—	15-100 A	
			QOB-VH	—	—	110-125 A	
			QO (B) EPD	—	—	15-50 A	
			QO (B) EPE	—	—	15-50 A	
		BG, HG, JG	QO (B)	—	—	15-100 A	
			QOB-VH	—	—	110-150 A	
			QO (B) PL	—	—	15-30 A	
			QO (B) EPD	—	—	15-50 A	
			QO (B) EPE	—	—	15-50 A	
		LG	QO (B) VH	—	—	15-100 A	
			QOB-VH	—	—	110-150 A	
			QO (B) EPD	—	—	15-30 A	
			QO (B) EPE	—	—	15-30 A	
		100,000	FC, KC	QO (B)	—	—	15-100 A
				QO (B) EPE	—	—	15-50 A
			EJ	QO (B)	—	—	15-100 A
				QOB-VH	—	—	110-125 A
				QO (B) EPD	—	—	15-50 A
	QO (B) EPE			—	—	15-50 A	
	FJ		QO (B)	—	—	15-100 A	
			QOB-VH	—	—	110-125 A	
	BJ, HJ, JJ		QO (B)	—	—	15-100 A	
			QOB-VH	—	—	110-150 A	
			QO (B) PL	—	—	15-30 A	
			QO (B) EPD	—	—	15-50 A	
			QO (B) EPE	—	—	15-50 A	
LJ	QO (B) VH		—	—	15-100 A		
	QOB-VH		—	—	110-150 A		

Continued on next page

ESPAÑOL

Table 2: Valores nominales de disyuntores conectados en serie (RMS simétrico) (continuación)

Tensión CA máxima del sistema ^{1, 2}	Corriente de cortocircuito nominal máxima	Disyuntores principales integrales o remotos y fusibles principales remotos, marca Square D ^{3, 4, 5, 6}	Designación de número de catálogo e intervalos de corriente permitidos de disyuntores de derivación de la marca Square D ^{7, 8, 9}					
			Tipo	Unipolar	Bipolar	Tripolar		
240/120 3P/4W 240 3P/3W	125,000	HL, JL	QO (B)	—	—	15-100 A		
			QOB-VH	—	—	110-150 A		
			QO (B) PL	—	—	15-30 A		
			QO (B) EPD	—	—	15-50 A		
			QO (B) EPE	—	—	15-50 A		
	200,000	FI, KI, HR, JR	QO (B)	—	—	15-100 A		
			QOB-VH	—	—	110-150 A		
	120/240 1P/3W 208Y/120 3P/4W 240/120 3P/4W	42,000	Fusibles de clase T3 de 400 A máx.	QO (B) VH	15-70 A	15-125 A	—	
				QO (B) VH	15-70 A	15-125 A	—	
		65,000	Fusibles de clase J de 400 A máx.	QO (B) AFI	15-20 A	—	—	
QO (B) CAFI				15-20 A	15-20 A	—		
QO (B) DF				15-20 A	—	—		
QO (B) VH				15-70 A	15-125 A	—		
Fusibles de clase T6 de 400 A máx.			QOB-VH	—	150 A	—		
			QO (B) AFI	15-20 A	—	—		
			QO (B) CAFI	15-20 A	15-20 A	—		
			QO (B) DF	15-20 A	—	—		
			100,000	Fusibles de clase T3 de 200 A máx.	QO (B)	15-70 A	15-125 A	—
					QO (B) GFI	15-30 A	15-60 A	—
QO (B) EPD		15-30 A			15-60 A	—		
QO (B) AFI		15-20 A			—	—		
QO (B) CAFI		15-20 A			15-20 A	—		
QO (B) DF		15-20 A			—	—		
200,000	Fusibles de clase T6 o J de 200 A máx.	QO (B)	15-70 A	15-125 A	—			
		QO (B) GFI	15-30 A	15-60 A	—			
		QO (B) EPD	15-30 A	15-60 A	—			
		QO (B)	15-70 A	15-125 A	—			
	Fusibles de clase T3 de 400 A máx.	QO (B) GFI	15-30 A	15-60 A	—			
		QO (B) EPD	15-30 A	15-60 A	—			

Continued on next page

Table 2: Valores nominales de disyuntores conectados en serie (RMS simétrico) (continuación)

Tensión CA máxima del sistema ^{1, 2}	Corriente de cortocircuito nominal máxima	Disyuntores principales integrales o remotos y fusibles principales remotos, marca Square D ^{3, 4, 5, 6}	Designación de número de catálogo e intervalos de corriente permitidos de disyuntores de derivación de la marca Square D ^{7, 8, 9}			
			Tipo	Unipolar	Bipolar	Tripolar
208Y/120 3P/4W	65,000	de clase J de 400 A máx.	QO (B) GFI	—	—	15-50 A
	100,000	de clase T3 de 200 A máx.	QO (B) GFI	—	—	15-50 A
	200,000	Fusibles de clase T6 o J de 200 A máx.	QO (B) GFI	—	—	15-50 A
		Fusibles de clase T3 de 400 A máx.	QO (B) GFI	—	—	15-50 A
240/120 3P/4W 240 3P/3W	50,000	Fusibles de clase T3 de 600 A máx.	QO (B) VH	—	—	15-30 A
	65,000	Fusibles de clase J de 400 A máx.	QO (B) VH	—	—	15-100 A
			QO (B) VH	—	—	15-100 A
		Fusibles de clase T6 de 400 A máx.	QOB-VH	—	—	110-150 A
	100,000	Fusibles de clase T3 de 200 A máx.	QO (B)	—	—	15-100 A
			QO (B) EPD	—	—	15-50 A
			QO (B) EPE	—	—	15-50 A
	200,000	Fusibles de Clase T6 o J de 200 A máx.	QO (B)	—	—	15-100 A
			QO (B) EPD	—	—	15-50 A
			QO (B) EPE	—	—	15-50 A
		Fusibles de clase T3 de 400 A máx.	QO (B)	—	—	15-100 A
			QO (B) EPD	—	—	15-50 A
QO (B) EPE			—	—	15-50 A	

¹ Las clasificaciones de serie que figuran con tensiones de sistema mas elevadas se aplican para tensiones de sistema más bajas (ejemplo: 240 3P/3W abarca 208Y/120 3P/4W).

² Las pruebas de cortocircuito se realizan al 100-105 % de la tensión nominal máxima del tablero.

³ "MC" indica disyuntores de misión crítica.

⁴ Para lograr una coordinación selectiva, la clasificación del disyuntor principal DJ debe ser al menos dos veces mayor que la corriente nominal de cualquier disyuntor de derivación.

⁵ El tipo LG mostrado puede sustituirse por LJ y LL.

⁶ A menos que se indique de otro modo, los disyuntores principales se pueden aplicar con la corriente nominal máxima disponible.

⁷ Los sufijos HID, SWD y SWN pueden aplicarse también a los disyuntores de derivación correspondientes que se muestran arriba. El sufijo SWN no puede aplicarse en combinación con disyuntores principales LC.

⁸ Los disyuntores QO(B) mostrados arriba pueden sustituirse por los disyuntores QO(B)H, QO(B)VH y QH(B).

⁹ En los sistemas 208Y/120V no se pueden usar disyuntores CAFI bipolares.

Tabla 3: Selectividad de interruptores automáticos para aplicaciones críticas en tableros NQ

SCCR máxima (simétricos rcm)	Interruptores automáticos principales integral o remoto	Interruptores automáticos derivados			
		Tipo ¹	1-polo	2-polos	3-polos
Valor nominal total y selectivo hasta 10 kA en 208 Y/120 V~ o en 240/120 V~	J-W, 250 A L-W, 250 A	QO(B)	10-70	10-125	10-125
		QO(B)-H			
		QO(B)-VH			
		QH			
Valor nominal en serie y selectivo hasta 12 kA en 208Y/120 V~ o en 240/120 V~	J-W, 250 A	QO(B)	10-70	10-125	10-60
		QO(B)-H			
		QO(B)-VH			
		QH			
Valor nominal en serie y selectivo hasta 15 kA en 208Y/120 V~ o en 240/120 V~	J-W, 250 A	QO(B)	10-60	10-60	10-30
		QO(B)-H			
		QO(B)-VH			
		QH			
Valor nominal en serie y selectivo hasta 18 kA en 208Y/120 V~ o en 240/120 V~	J-W, 250 A	QO(B)	10-30	10-30	—
		QO(B)-H			
		QO(B)-VH			
		QH			
	L-W, 250 A	QO(B)	10-60	10-60	10-60
		QO(B)-H			
		QO(B)-VH			
		QH			
Valor nominal en serie y selectivo hasta 30 kA en 208Y/120 V~ o en 240/120 V~	L-W, 400 A L-W, 600 A	QO(B)	15-70	15-150	15-150
		QO(B)-H			
		QO(B)-VH			
		QH			

¹ Incluyendo los interruptores automáticos AFI, CAFI, EPD y GFI.

Tabla 4: Corriente nominal de cortocircuito para los interiores tipo zapatas principales equipados con zapatas de subalimentación o de paso¹

Tensión máxima del sistema, ~ (c.a.)	Corriente nominal máxima	Circuitos derivados	Aplicación	Adicionador ²	Corriente nominal máxima de cortocircuito ³
240	100	18, 30	SFL and FTL	—	10,000
	225	30, 42, 54, 72, 84, 96	SFL	6 pulgadas (152.4 mm)	
		42	FTL	—	
		30, 54, 72, 84, 96		6 pulgadas (152.4 mm)	
	400	30, 42, 54, 72, 84	SFL	—	25,000
		96		—	10,000
		30, 84	FTL	—	25,000
		96		—	10,000
		42, 54, 72		6 pulgadas (152.4 mm)	25,000
	600	30, 42, 54, 72, 84	FTL	12 pulgadas (304.8 mm)	10,000
		96			

¹ Estos valores nominales son aplicables para los interiores con zapatas principales, equipados con zapatas de subalimentación o de paso, donde el dispositivo que alimenta al interior es desconocido o no es de marca Square D. El uso de un interruptor automático principal marca Square D frente a estas zapatas producirá un valor nominal igual al del interruptor. Las pruebas de cortocircuito son conducidas entre el 100 y 105% de la tensión nominal máxima del tablero de alumbrado.

² El adicionador es la longitud adicional del gabinete.

³ Amperes simétricos de rcm para tres ciclos.

Marcado CE

- Interiores con el marcado "CE" cumplen con las normas IEC 61439-1 e IEC 61439-2.
- Los interiores con zapatas principales y marcado "CE" han sido probados para soportar 10 000 amperes simétricos rcm durante 30 ciclos.
- Los interiores con el marcado "CE" sólo están aprobados para su uso con interruptores automáticos derivados QOXD o QOBXD que llevan el marcado "CE".

Anexo 2: Accesorios

Se encuentran disponibles una variedad de accesorios de instalación en campo para los tableros de alumbrado NQ:

- Kits de barra de tierra del equipo
- Kits de zapatas extra grande para los tableros de 100 a 250 A
- Kits de zapatas de subalimentación para los tableros de 100 a 400 A
- Kits de zapatas principales
 - Kits de zapatas mecánicas — Aluminio
 - Kits de zapatas mecánicas — Cobre
 - Kits de zapatas de compresión Versa-Crimp®— Aluminio
 - Kits de zapatas de compresión Versa-Crimp — Cobre

Kits de barra de tierra del equipo


Los kits de barra de tierra del equipo son adecuados para conductores de cobre o aluminio y cumplen con los requisitos de conexión a tierra de los tableros NQ y centros de carga QONQ.

Tabla 5: Especificaciones de los kits de barra de tierra del equipo

Tablero de alumbrado		Utilice el kit de barra de puesta a tierra con número de catálogo	
Número de circuitos	Capacidad nominal	Aluminio ¹	Cobre ²
1–42	600 A máx.	(1) PK27GTA	(1) PK27GTACU
54–84		(2) PK27GTA	(2) PK27GTACU

¹ Barras de aluminio adecuadas para conductores de Cu o Al para 60° C o 75° C

² Barras de cobre adecuadas para conductores de Cu para 60° C o 75° C

NOTA: Las ubicaciones de montaje de la barra de puesta a tierra han sido identificadas por el símbolo de tierra  estampado en la pared trasera del gabinete.

Kits de zapatas extra grande para los tableros de 100 a 250 A

Se encuentran disponibles kits de zapatas extra grande para aplicaciones donde el neutro requiere conductores de terminación de 3 AWG o de tamaño mayor.

Tabla 6: Especificaciones de los kits de zapatas extra grande para los tableros de 100 a 250 A

Valor nominal del interruptor automático	No. de catálogo del kit	Tamaño del conductor
70 A	QO70AN	(1) 10–2 Al (1) 5,76–33,6 mm ² (1) 14–4 Cu (1) 2,08–21,1 mm ²
80–125 A	Q1100AN	(1) 4–1/0 Al/Cu (1) 42,4–53,5 mm ²
125–150 A	Q1150AN	(1) 1–4/0 Al/Cu (1) 42,4–107 mm ²

Kits de zapatas de subalimentación para los tableros de 100 a 400 A

Se encuentran disponibles kits de zapatas principales de subalimentación para las aplicaciones de 100, 225 ó 400 A.

Tabla 7: Especificaciones de los kits de zapatas de subalimentación para los tableros de 100 a 400 A

Capacidad nominal de las barras (A)	No. de catálogo del kit	Cantidad máxima de circuitos
100	NQSFL1	18, 30
225	NQSFL2	30 ¹ , 42 ¹ , 54 ¹ , 72 ¹ , 84 ¹
400	NQSFL4	30, 42, 54, 72, 84

¹ Estos tableros requieren una longitud adicional de 152,4 mm (6 pulgadas) para el gabinete y marco para tener el espacio necesario para el doblez de los conductores.

Kits de zapatas principales

Tabla 8: Kits de zapatas mecánicas — Aluminio

Capacidad nominal del tablero (A)	No. de catálogo del kit	Tamaño del conductor
100	Estándar	#6-2/0 AWG 13,3-67,43 mm ²
225	Estándar	#6-350 kcmil 13,3-177,3 mm ²
400	Estándar	(1) 1/0-750 kcmil (2) 1/0-350 kcmil (1) 53,48-380 mm ² (2) 53,48-177,3 mm ²
600	Estándar	(2) 1/0-750 kcmil (2) 53,48-380 mm ²
	NQALM6A	(3) #6-250 kcmil (3) 13,3-127 mm ²

Tabla 9: Kits de zapatas mecánicas — Cobre

Capacidad nominal del tablero (A)	No. de catálogo del kit	Tamaño del conductor
100	NQCUM1	#6-2/0 AWG 13,3-67,43 mm ²
225	NQCUM2	#6-250 kcmil 13,3-127 mm ²
400	NQCUM4	(1) 1/0-750 kcmil (2) 1/0-350 kcmil
600	NQCUM6	(1) 53,48-380 mm ² (2) 53,48-177,3 mm ²

Tabla 10: Kits de zapatas de compresión Versa-Crimp® — Aluminio

Capacidad nominal del tablero (A)	No. de catálogo del kit	Tamaño del conductor	Herramienta de compresión
100	NQALV1	#8-1/0 AWG 8,36-53,48 mm ²	VC6 (todos)
225	NQALV2	#4-300 kcmil 21,15-152 mm ²	
400	NQALV4	(2) 2/0-500 kcmil	VC6-3, VC6-FIT
600	NQALV6	(2) 67,43-253,4 mm ²	

Tabla 11: Kits de zapatas de compresión Versa-Crimp — Cobre

Capacidad nominal del tablero (A)	No. de catálogo del kit	Tamaño del conductor	Herramienta de compresión
100	NQCUV1	#6–1/0 AWG 13,30–53,48 mm ²	VC6 (todos), VC7 (todos)
225	NQCUV2	2/0–300 kcmil 67,43–152 mm ²	VC6-3, VC7, VC6-FT, VC7-FT
400	NQCUV4	400–750 kcmil 202,7–380 mm ²	VC6-FT, VC7-FT, VC8
600	NQCUV6	(2) 250–500 kcmil (2) 126,7–253,4 mm ²	VC6-3, VC7, VC6-FT, VC7-FT

Importado en México por:

Schneider Electric México, S.A. de C.V.

Calz. J. Rojo Gómez 1121-A

Col. Gpe. del Moral 09300 México, D.F.

Tel. 55-5804-5000

www.schneider-electric.com.mx

Solamente el personal especializado deberá instalar, hacer funcionar y prestar servicios de mantenimiento al equipo eléctrico. Schneider Electric no asume responsabilidad alguna por las consecuencias emergentes de la utilización de este material.

© 2007–2016 Schneider Electric Reservados todos los derechos

Schneider Electric y Square D son marcas comerciales de Schneider Electric Industries SAS o sus compañías afiliadas. Todas las otras marcas comerciales son propiedad de sus respectivos propietarios.

80043-712-06 Rev. 04, 02/2019

Reemplaza 80043-712-06

Pour panneaux de distribution NQ/NQM et centres de distribution QONQ

Directives d'utilisation
Classe 1640

Directives d'utilisation

80043-712-06 Rev. 04
02/2019

À conserver pour usage ultérieur.



FRANÇAIS



by Schneider Electric

Catégories de dangers et symboles spéciaux



Lisez soigneusement ces directives et examinez l'appareillage afin de vous familiariser avec lui avant son installation, son fonctionnement ou son entretien. Les messages spéciaux qui suivent peuvent apparaître dans ce document ou sur l'appareillage. Ils vous avertissent de dangers potentiels ou attirent votre attention sur des renseignements pouvant éclaircir ou simplifier une procédure.

L'ajout de l'un ou l'autre des symboles à une étiquette de sécurité « Danger » ou « Avertissement » vous indique qu'un danger électrique existe et qu'il pourra y avoir des blessures corporelles si les directives ne sont pas suivies.

Ceci est le symbole d'une alerte de sécurité. Il sert à vous avertir d'un danger potentiel de blessures corporelles. Respectez toutes les consignes de sécurité accompagnant ce symbole pour éviter toute situation potentielle de blessure ou de mort.

DANGER

DANGER indique une situation de danger imminent qui, si elle n'est pas évitée, **entraînera** la mort ou des blessures graves.

AVERTISSEMENT

AVERTISSEMENT indique une situation de danger potentiel qui, si elle n'est pas évitée, **peut entraîner** la mort ou des blessures graves.

ATTENTION

ATTENTION indique une situation de danger potentiel qui, si elle n'est pas évitée, **peut entraîner** des blessures mineures ou modérées.

AVIS

AVIS est utilisé pour commenter des pratiques sans rapport avec les blessures physiques. Le symbole d'alerte de sécurité n'est pas employé avec ce mot de signalement.

REMARQUE : Fournit des renseignements complémentaires pour clarifier ou simplifier une procédure.

Veillez noter

Seul un personnel qualifié doit effectuer l'installation, l'utilisation, l'entretien et la maintenance du matériel électrique. Schneider Electric n'assume aucune responsabilité des conséquences éventuelles découlant de l'utilisation de cette documentation.

Table des matières

Introduction	5
Mesures de sécurité	5
Installation	6
Montage de l'intérieur pour coffrets de la marque Square D	6
Montage en surface (coffret monté sur un mur)	7
Montage encastré (coffret encastré dans le mur)	8
Installation du câble/tresse de mise à la masse du neutre	10
Panneaux de distribution NQ de 100 ou 250 A au maximum	10
Centres de distribution QONQ et panneaux de distribution NQ de 400 ou 600 A au max.	12
Installation et démontage des disjoncteurs QO et QOB	14
Installation des disjoncteurs QO et QOB	15
Démontage des disjoncteurs QO et QOB	15
Directives de réarmement du disjoncteur	17
Préparation de la garniture intérieure	18
Annexe 1 : Spécifications	19
Câblage typique	19
Disjoncteur principal intégré ou de sous-alimentation :	
DJ, FI, KI, H, J, LA, LC, LH, QB, QD, QG, QJ, QO(B)VH	20
Valeurs nominales du panneau de distribution	24
Marquage CE	34
Annexe 2 : Accessoires	35
Kits de barre de m.à.l.t. de l'appareil	35
Kits de cosses surdimensionnées pour les panneaux de distribution de 100 à 250 A	36
Kits de cosses de sous-alimentation pour les panneaux de distribution de 100 à 400 A	36
Kit de cosse principale	37

Liste des tableaux

Tableau 1 :	Câblage typique du panneau de distribution	18
Tableau 2 :	Val. nom. de disjoncteurs raccordés en série (RMS sym.)	23
Tableau 3 :	Sélectivité de disjoncteur critique pour panneau NQ	39
Tableau 4 :	Courant nominal de court-circuit pour intérieurs à cosses principales avec cosses de traversée ou de sous-alimentation	40
Tableau 5 :	Spécifications des kits de barre de m.à.l.t. de l'appareil	41
Tableau 6 :	Spécifications du kit de cosses surdimensionnées pour les panneaux de distribution de 100 à 250 A	42
Tableau 7 :	Spécifications du kit de cosses de sous-alimentation pour les panneaux de distribution de 100 à 400 A	42
Tableau 8 :	Kits de cosses mécaniques — Aluminum	43
Tableau 9 :	Kits de cosses mécaniques — Cuivre	43
Tableau 10 :	Kits de cosses à compression Versa-Crimp® — Aluminum	43
Tableau 11 :	Kits de cosses à compression Versa-Crimp — Cuivre	43

Liste des figures

Figure 1 :	Montage de l'intérieur des coffrets de la marque Square D	8
Figure 2 :	Installation de la tresse de mise à la masse — Panneaux de distribution NQ de 100 ou 250 A au maximum	11
Figure 3 :	Installation du câble de mise à la masse — Centres de distribution QONQ et panneaux de distribution NQ de 400 ou 600 A au maximum	12
Figure 4 :	Installation et démontage des disjoncteurs QO et QOB	15
Figure 5 :	Positions de la manette du disjoncteur	16
Figure 6 :	Schéma de la garniture intérieure	17
Figure 7 :	Schéma de cosses principales NQ/NQM de 100 à 225 A ou disjoncteur principal de 100 à 250 A	19
Figure 8 :	Schéma de panneau NQ ou centre de distribution QONQ à cosses principales ou disjoncteur principal de 400 à 600 A avec ou sans cosses de traversée	20
Figure 9 :	Schéma de panneau NQ ou centre de distribution QONQ à disjoncteur principal de 400 à 600 A avec cosses de traversée ou de disjoncteurs de sous-alimentation	21
Figure 10 :	Schéma de panneau de distribution NQ typique avec barre-bus fendue	22

Introduction

Ce bulletin contient les directives pour l'installation des centres de distribution QONQ et des panneaux de distribution NQ à disjoncteurs de la marque Square D^{MC}. Ces centres et panneaux de distribution sont inscrits UL (cULus) et acceptent les disjoncteurs de dérivation QO^{MC} et QOB.



Pour obtenir une assistance technique sur l'installation de ce panneau de distribution, contacter le centre d'informations à la clientèle Schneider Electric au 1-888-778-2733 (É.-U.).



Consulter les étiquettes sur l'appareil pour les renseignements de capacité et de sécurité. Des étiquettes supplémentaires pour l'appareil sont fournies avec ce document.

Mesures de sécurité

DANGER

RISQUE D'ÉLECTROCUTION, D'EXPLOSION OU ÉCLAIR D'ARC ÉLECTRIQUE

- Portez un équipement de protection personnelle (ÉPP) approprié et observez les méthodes de travail électrique sécuritaire. Voir NFPA 70E, CSA Z462 ou NOM-029-STPS.
- Seul un personnel qualifié doit effectuer l'installation et l'entretien de cet appareil.
- Coupez l'alimentation de l'appareil avant d'y travailler.
- Utilisez toujours un dispositif de détection de tension ayant une valeur nominale appropriée pour s'assurer que l'alimentation est coupée.
- Lisez et comprenez entièrement ces directives d'utilisation et la publication des normes NEMA PB 1.1 incluse avant d'installer, d'utiliser ou d'assurer l'entretien de cet appareil.
- Les codes locaux varient mais sont adoptés et appliqués pour assurer des installations électriques sécuritaires. C'est peut-être nécessaire d'avoir un permis pour exécuter des travaux sur des circuits électriques et certains codes peuvent exiger que le travail électrique accompli soit inspecté.
- Remplacez tous les dispositifs, les portes et les couvercles avant de mettre l'appareil sous tension.

Si ces directives ne sont pas respectées, cela entraînera la mort ou des blessures graves.



AVERTISSEMENT: Ce produit peut vous exposer à des agents chimiques, y compris composés de nickel, identifiés par l'État de Californie comme pouvant causer le cancer, et Bisphénol A (BPA) reconnu par l'État de Californie comme pouvant causer des malformations congénitales ou autres troubles de l'appareil reproducteur. Pour de plus amples informations, prière de consulter www.P65Warnings.ca.gov.

Installation

Cette section fournit les directives pour les procédures suivantes concernant les panneaux de distribution NQ et les centres de distribution QONQ :

- « Montage de l'intérieur pour coffrets de la marque Square D » ci-après.
- « Installation du câble/tresse de mise à la masse du neutre » à la page 10
- « Installation et démontage des disjoncteurs QO et QOB » à la page 14
- « Directives de réarmement du disjoncteur » à la page 17
- « Préparation de la garniture intérieure » à la page 18

Montage de l'intérieur pour coffrets de la marque Square D

Une publication séparée, intitulée « Directives générales pour l'installation, le fonctionnement et l'entretien des panneaux de distribution d'une valeur nominale de 600 V ou moins » (NEMA PB1.1) a été fournie avec cet appareil. Se familiariser avec le contenu de ce document avant d'entreprendre l'une quelconque des procédures ci-après.

Si un exemplaire de cette publication n'était pas joint, ou si des questions se posent concernant cet appareil, contacter le distributeur local ou un représentant de Schneider Electric.

AVIS

RISQUE DE DOMMAGES MATÉRIELS DUS À UN RACCORDEMENT DÉFAIT OU LÂCHE

- Assurez-vous que tous les raccordements sont correctement serrés.
- Reportez-vous à l'étiquette de renseignements sur les couples de serrage, placée sur le panneau de distribution, avant de serrer les raccordements.

Si ces directives ne sont pas respectées, cela peut entraîner des dommages matériels.

Pour monter et installer correctement l'intérieur du panneau de distribution NQ ou du centre de distribution QONQ, consulter la publication sur les normes NEMA PB 1.1 et observer les directives ci-après concernant « Montage en surface (coffret monté sur un mur) » ou « Montage encastré (coffret encastré dans le mur) ».

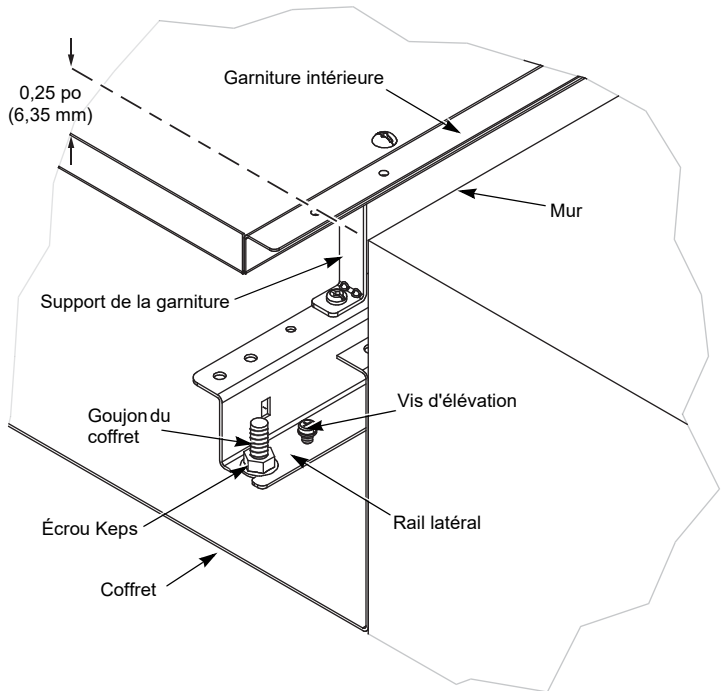
Montage en surface (coffret monté sur un mur)

1. Monter le coffret en suivant les directives de la publication des normes NEMA PB 1.1.
2. Enlever la garniture intérieure des supports de garniture.
3. Installer l'intérieur comme décrit ci-après :
 - a. Placer l'intérieur sur les goujons du coffret. Une vis d'élévation n'est pas nécessaire (voir la figure 1 à la 9).
 - b. Serrer les écrous Keps sur les rails latéraux de l'intérieur jusqu'à ce que les rails se trouvent contre l'arrière du coffret.
 - c. Remonter la garniture intérieure une fois le câblage effectué.
4. Si l'appareil est utilisé comme appareil d'entrée de service, une fixation (mise à la masse) du neutre est nécessaire. Voir les directives dans la section « Installation du câble/tresse de mise à la masse du neutre » à la page 10.
5. Poser les étiquettes de l'appareil (fournies dans le sac de l'assortiment) comme indiqué aux directives, au dos de la feuille d'étiquettes de l'appareil.

Montage encastré (coffret encastré dans le mur)

1. Monter le coffret comme indiqué dans la publication des normes NEMA PB 1.1.
2. Enlever la garniture intérieure des supports de garniture.
3. Installer l'intérieur comme décrit ci-après :
 - a. Visser les (4) vis d'élévation auto-taraudeuses de 10-32 x 0,875 po fournies avec la garniture encastrée dans les rails latéraux.
 - b. Placer l'intérieur sur les goujons du coffret (voir la figure 1 à la 9). Placer les écrous Keps sur les goujons du coffret, mais ne pas les serrer.
 - c. Ajuster les vis de façon à ce que le rebord de la garniture intérieure soit à environ 0,25 po (6,35 mm) du mur.
 - d. Serrer les écrous Keps sur les rails latéraux.
 - e. Remonter la garniture intérieure une fois le câblage effectué.
4. Si l'appareil est utilisé comme appareil d'entrée de service, une fixation (mise à la masse) du neutre est nécessaire. Voir les directives dans la section « Installation du câble/tresse de mise à la masse du neutre » à la page 10.
5. Poser les étiquettes de l'appareil (fournies dans le sac de l'assortiment) comme indiqué aux directives, au dos de la feuille d'étiquettes de l'appareil.

Figure 1 : Montage de l'intérieur des coffrets de la marque Square D



Installation du câble/tresse de mise à la masse du neutre

Le câble ou la tresse de mise à la masse du neutre ne doit être utilisé que lorsque le panneau de distribution est **installé** comme appareil de service.

Pour fixer correctement le neutre au panneau de distribution, suivre les directives pour « Panneaux de distribution NQ de 100 ou 250 A au maximum » ou pour « Centres de distribution QONQ et panneaux de distribution NQ de 400 ou 600 A au max. » aux pages 10 et 12, respectivement.

DANGER

RISQUE D'ÉLECTROCUTION, D'EXPLOSION OU ÉCLAIR D'ARC ÉLECTRIQUE

- Portez un équipement de protection personnelle (ÉPP) approprié et observez les méthodes de travail électrique sécuritaire. Voir NFPA 70E, CSA Z462 ou NOM-029-STPS.
- Coupez l'alimentation de l'appareil avant d'y travailler.
- La tresse ou le câble de mise à la masse principal ne doit être utilisé que lorsque le panneau de distribution est installé comme appareil de service.
- Ne mélangez pas les vis de montage avec les vis de la garniture intérieure.

Si ces directives ne sont pas respectées, cela entraînera la mort ou des blessures graves.

REMARQUE : Les pièces de la tresse ou du câble de mise à la masse se trouvent dans le sac de l'assortiment fourni avec l'intérieur.

Panneaux de distribution NQ de 100 ou 250 A au maximum

Pour installer une tresse de mise à la masse du neutre sur un panneau de distribution NQ de 100 ou 250 A au maximum, se reporter à la figure 2, 12, et suivre les directives ci-dessous.

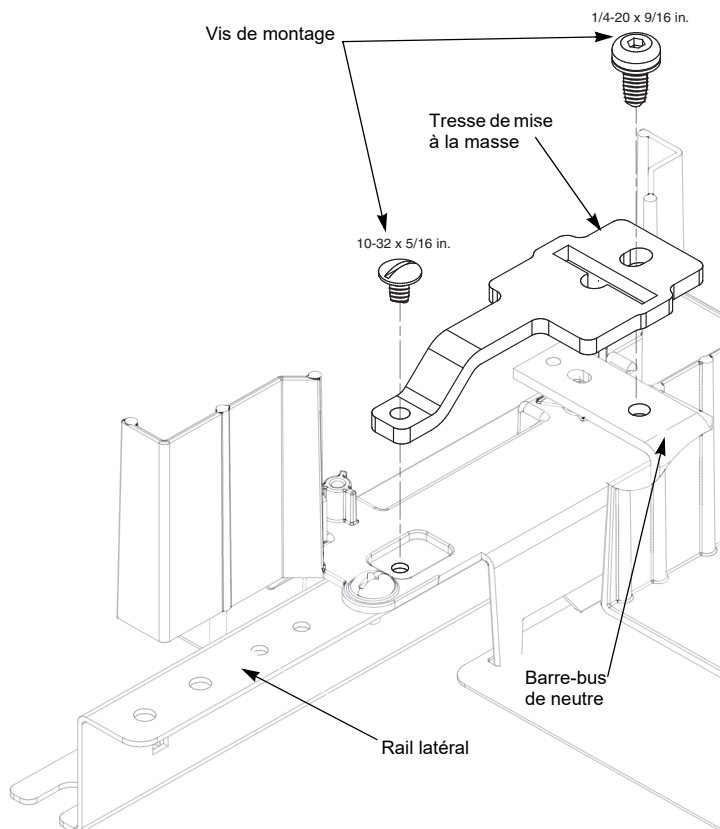
1. Aligner la tresse de mise à la masse sur le rail latéral, comme illustré.

REMARQUE : Pour certaines applications, il peut être nécessaire de retirer la cosse (non représentée) avant d'installer la tresse.

2. Insérer les deux vis de montage, comme illustré. Serrer la vis de 10-32 au couple de 1,1 à 1,4 N•m (10 à 12 lb-po) et la vis de 1/4-20 au couple de 2,86 à 3,4 N•m (25 à 30 lb-po).

REMARQUE : Si la cosse a été retirée au point 1 ci-dessus, la réinstaller sur le dessus de la tresse de mise à la masse. Utiliser la vis de montage de 1/4-20 x 11/16 po avec les applications à cosse de traversée, cosse de sous-alimentation, disjoncteur de sous-alimentation ou neutre de 200 %. Utiliser la vis de montage de cosse de 1/4-20 x 7/8 po sur des applications de 225 A avec un neutre de 200 % et avec cosses de traversée, cosses de sous-alimentation ou disjoncteurs de sous-alimentation. Les vis de montage de cosses sont fournies dans le sac de l'assortiment de la tresse de mise à la masse.

Figure 2 : Installation de la tresse de mise à la masse —
Panneaux de distribution NQ de 100 ou 250 A au maximum



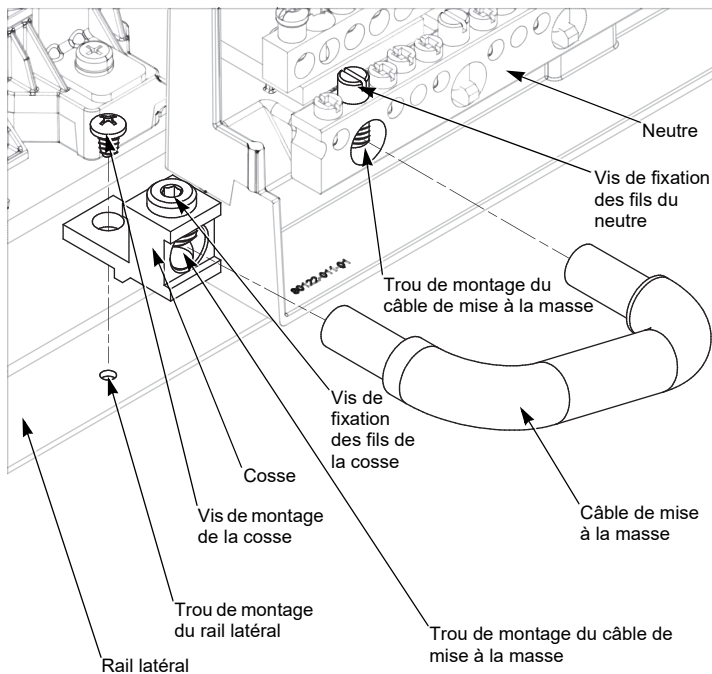
Centres de distribution QONQ et panneaux de distribution NQ de 400 ou 600 A au max.

Pour installer un câble de mise à la masse du neutre sur un panneau de distribution NQ de 400 ou 600 A maximum et un centre de distribution QONQ, se reporter à la figure 3 et suivre les directives ci-dessous.

1. Aligner la cosse sur le trou de montage du rail latéral, comme illustré.
2. Serrer la vis de montage de la cosse sur le rail latéral au couple de 1,1 à 1,4 N•m (10 à 12 lb-po).

3. Aligner le câble de mise à la masse, comme illustré, et l'insérer dans la cosse et les trous de montage du neutre.
4. Serrer la vis de fixation des fils de la cosse et la vis de fixation des fils du neutre au couple de 5,1 à 5,6 N•m (45 à 50 lb-po).

Figure 3 : Installation du câble de mise à la masse — Centres de distribution QONQ et panneaux de distribution NQ de 400 ou 600 A au maximum



Installation et démontage des disjoncteurs QO et QOB

DANGER

RISQUE D'ÉLECTROCUTION, D'EXPLOSION OU ÉCLAIR D'ARC ÉLECTRIQUE

- Portez un équipement de protection personnelle (ÉPP) approprié et observez les méthodes de travail électrique sécuritaire. Voir NFPA 70E, CSA Z462 ou NOM-029-STPS.
- Seul un personnel qualifié doit effectuer l'installation et l'entretien de cet appareil.
- Coupez l'alimentation de l'appareil avant d'y travailler.
- Utilisez toujours un dispositif de détection de tension ayant une valeur nominale appropriée pour s'assurer que l'alimentation est coupée.
- Tous les espaces inutilisés doivent être remplis avec des plaques de remplissage.
- Remplacez tous les dispositifs, les portes et les couvercles avant de mettre l'appareil sous tension.

Si ces directives ne sont pas respectées, cela entraînera la mort ou des blessures graves.

Installation des disjoncteurs QO et QOB

Pour les directives suivantes, consulter la figure 4 à la 16.

1. Couper (O) toutes les alimentations du panneau de distribution.
2. Mettre le disjoncteur hors tension (O).
3. Enlever la garniture intérieure.
4. Emboîter l'extrémité de la borne de raccordement du disjoncteur sur le rail de montage.
5. Engager le connecteur de dérivation.

Pour les disjoncteurs QO :

- a. pousser vers l'intérieur jusqu'à ce que les mâchoires enfichables s'engagent totalement dans le connecteur de dérivation.

Pour les disjoncteurs QOB :

- a. pousser vers l'intérieur jusqu'à ce que le connecteur du disjoncteur soit centré sur le trou de montage du connecteur de dérivation. Engager la vis dans le trou du connecteur de dérivation et serrer aux valeurs de couple indiquées sur le schéma de câblage et de couple de l'intérieur.

6. Installer le fil de charge.
7. Réinstaller la garniture intérieure.

Démontage des disjoncteurs QO et QOB

Pour les directives suivantes, consulter la figure 4 à la 16.

1. Couper (O) toutes les alimentations du panneau de distribution.
2. Enlever la garniture intérieure.
3. Retirer le fil de charge.
4. Dégager le connecteur de dérivation.

Pour les disjoncteurs QO :

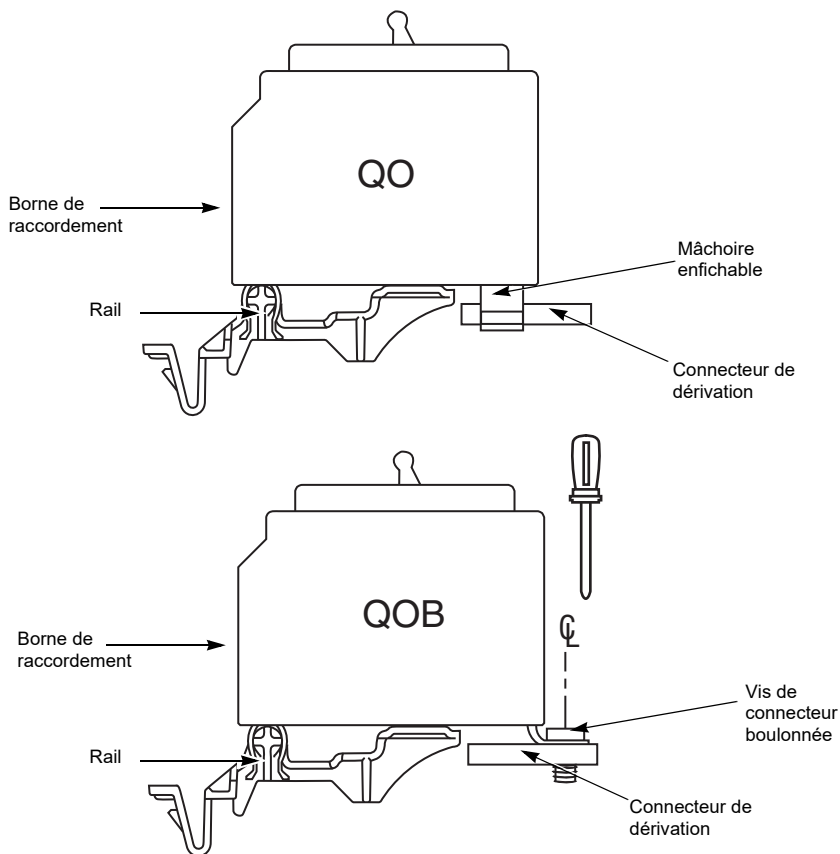
- a. Tirer vers l'extérieur jusqu'à ce que les mâchoires enfichables se dégagent totalement du connecteur de dérivation.

Pour les disjoncteurs QOB :

- a. Desserrer la vis du connecteur du disjoncteur et séparer le disjoncteur du connecteur de dérivation.

5. Déboîter du rail de montage l'extrémité de la borne de raccordement du disjoncteur.
6. Réinstaller la garniture intérieure.

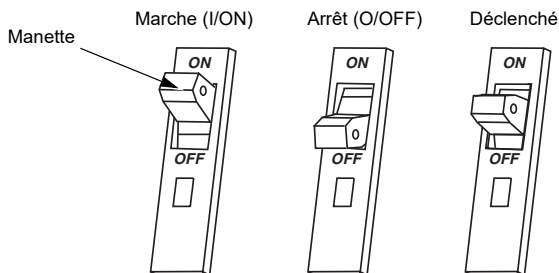
Figure 4 : Installation et démontage des disjoncteurs QO et QOB



Directives de réarmement du disjoncteur

Si le disjoncteur est déclenché, la manette se trouvera en position moyenne entre marche (I/ON) et arrêt (O/OFF). Pour réarmer le disjoncteur, mettre la manette à la position d'arrêt, puis à la position de marche.

Figure 5 : Positions de la manette du disjoncteur



Préparation de la garniture intérieure

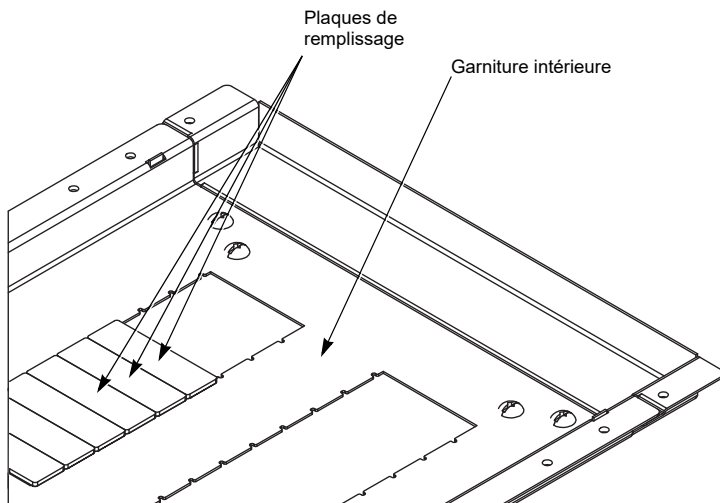
⚠ DANGER

RISQUE D'ÉLECTROCUTION, D'EXPLOSION OU ÉCLAIR D'ARC ÉLECTRIQUE

- Portez un équipement de protection personnelle (ÉPP) approprié et observez les méthodes de travail électrique sécuritaire. Voir NFPA 70E, CSA Z462 ou NOM-029-STPS.
- Avant de mettre le panneau de distribution sous tension, tous les espaces inutilisés doivent être remplis avec des plaques de remplissage.
- Remplacez tous les dispositifs, les portes et les couvercles avant de mettre l'appareil sous tension.

Si ces directives ne sont pas respectées, cela entraînera la mort ou des blessures graves.

Figure 6 : Schéma de la garniture intérieure



REMARQUE : L'arrière de la garniture intérieure donne la liste des numéros de catalogue des plaques de remplissage compatibles correspondants.

Annexe 1 : Spécifications

Câblage typique

Tableau 1 : Câblage typique du panneau de distribution¹

Tension ca	Panneaux de distribution monophasés		Panneaux de distribution triphasés	
	Phase	Fils	Phase	Fils
208Y/120	—	—	3	4
120/240	1	3	—	—
240 ²	1	2	3	3
240 ³	1	3	—	—
240/120 ⁴	—	—	3	4, en triangle

- ¹ Des informations supplémentaires sont fournies sur le panneau de distribution. Voir la valeur nominale du disjoncteur principal, si utilisé.
- ² Pour ce système, le neutre n'est pas utilisé et seuls les disjoncteurs à tension nominale minimale de 240 Vca doivent être utilisés. Ne pas utiliser des disjoncteurs d'une tension nominale de 120 V ou de 120/240 Vca.
- ³ Pour un système de phase « B » mis à la terre, seuls des disjoncteurs d'une tension nominale minimale de 240 Vca doivent être utilisés. Ne pas utiliser des disjoncteurs d'une tension nominale de 120 V ou de 120/240 Vca.
- ⁴ Lorsqu'elles sont câblées pour un système en triangle, les phases « A » et « C » doivent être de 120 V au neutre, la phase « B » doit être de 208 V au neutre. Raccorder seulement des disjoncteurs d'une tension nominale minimale de 240 Vca. Ne pas utiliser des disjoncteurs d'une tension nominale de 120 V ou 120/240 V pour la phase « B ».

Disjoncteur principal intégré ou de sous-alimentation :
DJ, FI, KI, H, J, LA, LC, LH, QB, QD, QG, QJ, QO(B)VH

Figure 7 : Schéma de cosses principales NQ/NQM de 100 à 225 A ou disjoncteur principal de 100 à 250 A

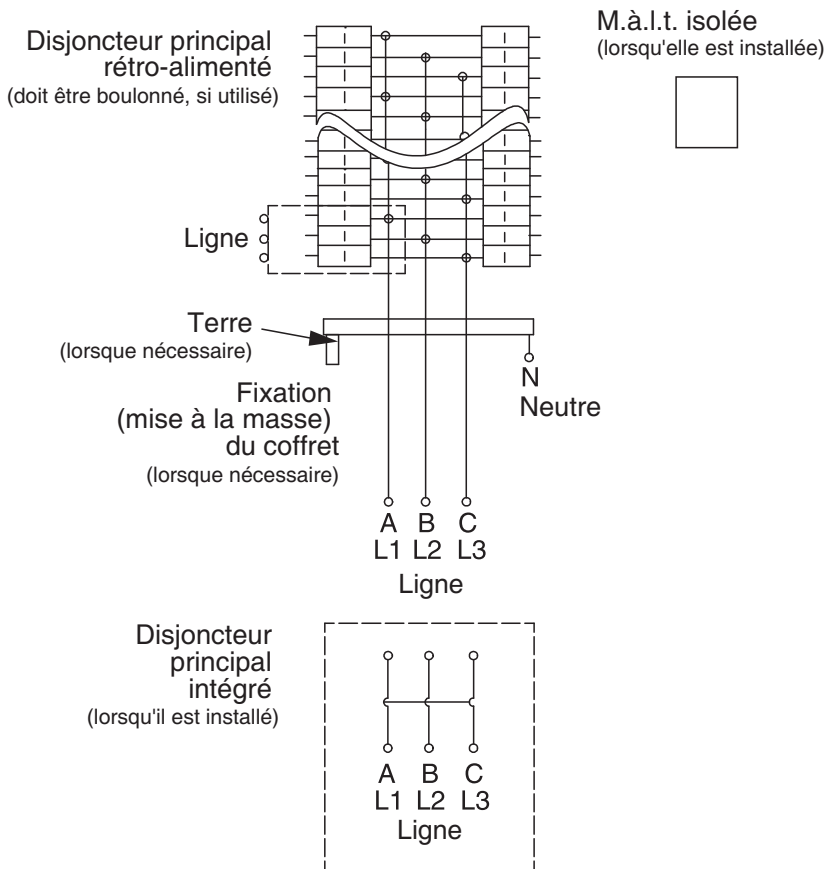


Figure 8 : Schéma de panneau NQ ou centre de distribution QONQ à cosses principales ou disjoncteur principal de 400 à 600 A avec ou sans cosses de traversée

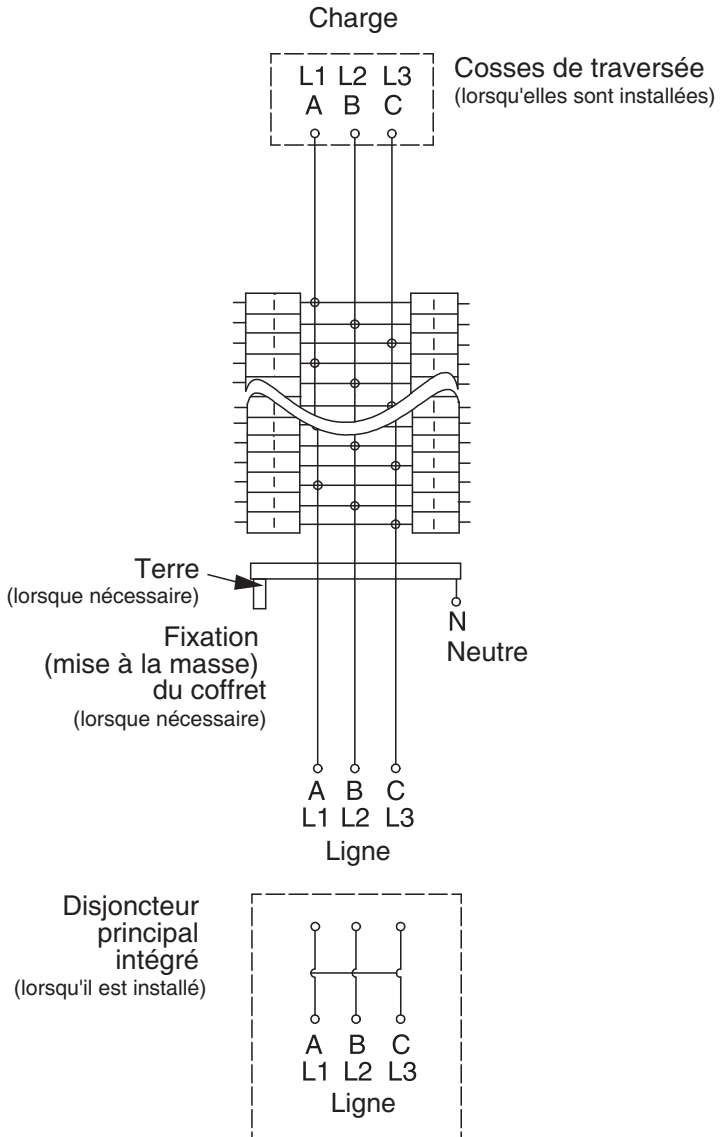


Figure 9 : Schéma de panneau NQ ou centre de distribution QONQ à disjoncteur principal de 400 à 600 A avec cosses de traversée ou de disjoncteurs de sous-alimentation

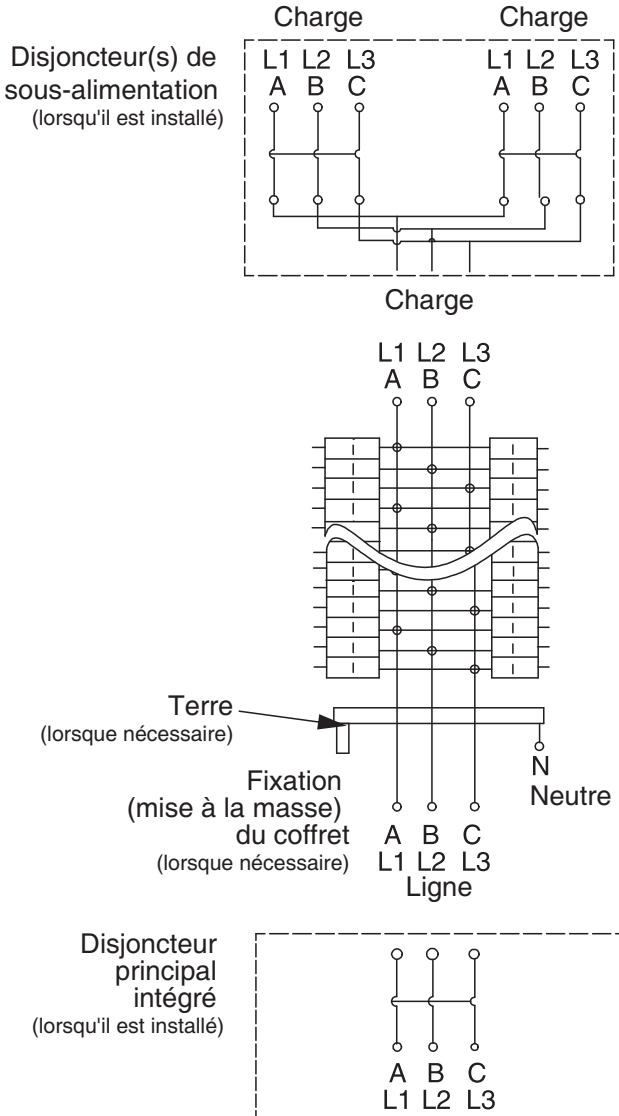
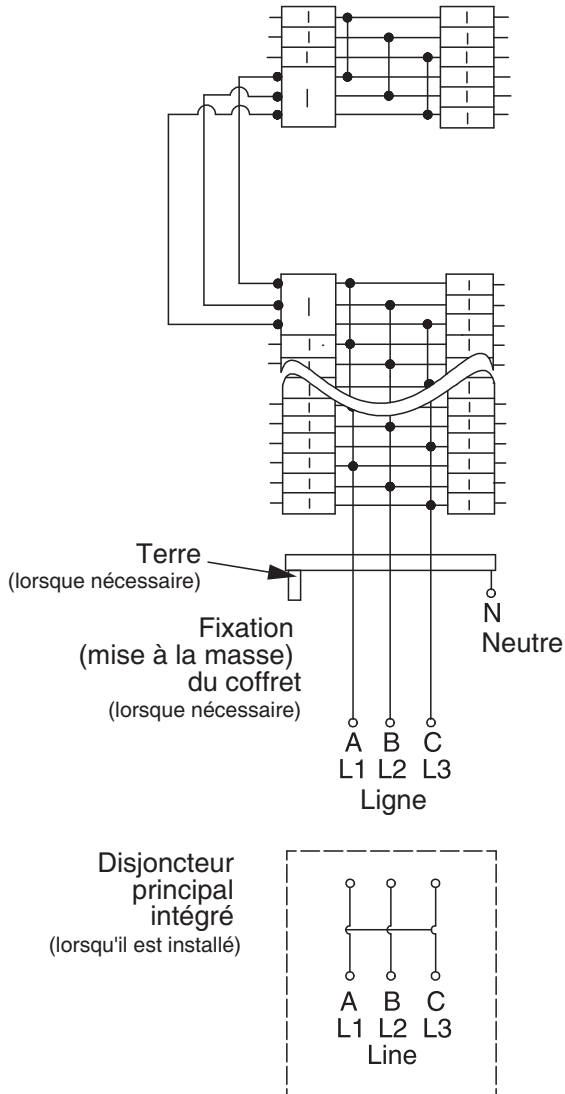


Figure 10 : Schéma de panneau de distribution NQ typique avec barre-bus fendue



Valeurs nominales du panneau de distribution

Se reporter au NEC (É.-U.) section 110-22, et au CCE règle 14-014 pour des informations supplémentaires. L'étiquette pour un système qualifié pour utilisation en série se trouve dans le sac de l'assortiment.

Table 2: Valeurs nominales de disjoncteurs raccordés en séries (RMS symétrique)

Tension ca Max. du système ^{1, 2}	Courant nominal de court-circuit max.	Disjoncteurs principaux intégrés ou à distance et fusibles principaux à distance de la marque Square D ^{3, 4, 5, 6,}	Désignation du catalogue des disjoncteurs de dérivation de la marque Square D et gammes d'intensité admissibles ^{7, 8, 9}				
			Type	1 pôle	2 pôles	3 pôles	
120/240 1P/3F 208Y/120 3P/4F 240/120 3P/4F	18 000	LA/LH MC	QO (B)	15-30 A	15-30 A	–	
	22 000	QO (B) VH QOB-VH	QO (B)	15-70 A	15-125 A	–	
			QO (B) GFI	15-30 A	15-60 A	–	
			QO (B) EPD	15-30 A	15-60 A	–	
			QO (B) PL	15-30 A	15-60 A	–	
			QO (B) AFI	15-20 A	–	–	
			QO (B) CAFI	15-20 A	15-20 A	–	
			QO (B) DF	15-20 A	–	–	
	25 000	QD	QO (B)	15-70 A	15-125 A	–	
			QOB-VH	–	150 A	–	
			QO (B) PL	15-30 A	15-60 A	–	
			QO (B) GFI	15-30 A	15-60 A	–	
			QO (B) EPD	15-30 A	15-60 A	–	
			QO (B) AFI	15-20 A	–	–	
			QO (B) CAFI	15-20 A	15-20 A	–	
			QO (B) DF	15-20 A	–	–	
		ED, FD	QO (B)	15-70 A	15-125 A	–	
			QO (B) GFI	15-30 A	15-60 A	–	
			QO (B) EPD	15-30 A	15-60 A	–	
			QO (B) AFI	15-20 A	–	–	
			QO (B) CAFI	15-20 A	15-20 A	–	
			QO (B) DF	15-20 A	–	–	
			BD, HD, JD, LD	QO (B)	15-70 A	15-125 A	–
				QOB-VH	–	150 A	–
	QO (B) PL	15-30 A		15-60 A	–		
	QO (B) GFI	15-30 A		15-60 A	–		
	QO (B) EPD	15-30 A		15-60 A	–		
QO (B) AFI	15-20 A	–		–			

Continued on next page

**Table 2: Valeurs nominales de disjoncteurs raccordés en séries
(RMS symétrique) (suite)**

Tension ca Max. du système ^{1, 2}	Courant nominal de court- circuit max.	Disjoncteurs principaux intégrés ou à distance Et fusibles principaux à distance de la marque Square D ^{3, 4, 5, 6,}	Désignation du catalogue des disjoncteurs de dérivation de la marque Square D et gammes d'intensité admissibles ^{7, 8, 9}			
			Type	1 pôle	2 pôles	3 pôles
120/240 1P/3F 208Y/120 3P/4F 240/120 3P/4F	25 000	BD, HD, JD, LD	QO (B) CAFI	15-20 A	15-20 A	–
			QO (B) DF	15-20 A	–	–
	42 000	LA, MA LC 400 A LC 600 A	QO (B)	15-30 A	15-30 A	–
			QO (B)	15-70 A	15-70 A	–
			QO (B) GFI	15-30 A	15-60 A	–
			QO (B) EPD	15-30 A	15-60 A	–
	65 000	LC 400 A	QO (B)	15-30 A	15-30 A	–
			QO (B) GFI	15-30 A	15-60 A	–
			QO (B) EPD	15-30 A	15-60 A	–
		LC 600 A	QO (B) VH	15-70 A	15-125 A	–
			QOB-VH	–	150 A	–
			QO (B) GFI	15-30 A	–	–
			QO (B) EPD	15-30 A	–	–
			QO (B) AFI	15-20 A	–	–
			QO (B) CAFI	15-20 A	15-20 A	–
		DJ-W 150-600 A MC	QO (B) DF	15-20 A	–	–
			QO (B)	15-70 A	15-100 A	–
			QO (B) VH	15-70 A	15-125 A	–
			QO (B) GFI	15-30 A	15-60 A	–
			QO (B) EPD	15-30 A	15-60 A	–
			QO (B) AFI	15-20 A	–	–
		QG	QO (B) CAFI	15-20 A	15-20 A	–
			QO (B) DF	15-20 A	–	–
			QO (B)	15-70 A	15-125 A	–
	QO (B) VH		15-70 A	15-125 A	–	
	QOB-VH		–	150 A	–	
	QO (B) GFI		15-30 A	15-60 A	–	
	QO (B) PL		15-30 A	15-60 A	–	
	QO (B) AFI		15-20 A	–	–	
	QO (B) CAFI	15-20 A	15-20 A	–		
QO (B) DF	15-20 A	–	–			

Continued on next page

**Table 2: Valeurs nominales de disjoncteurs raccordés en séries
(RMS symétrique) (suite)**

Tension ca Max. du système ^{1, 2}	Courant nominal de court- circuit max.	Disjoncteurs principaux intégrés ou à distance et fusibles principaux à distance de la marque Square D ^{3, 4, 5, 6,}	Désignation du catalogue des disjoncteurs de dérivation de la marque Square D et gammas d'intensité admissibles ^{7, 8, 9}			
			Type	1 pôle	2 pôles	3 pôles
120/240 1P/3F 208Y/120 3P/4F 240/120 3P/4F	65 000	EG, FG	QO (B)	15-70 A	15-125 A	–
			QO (B) GFI	15-30 A	15-60 A	–
			QO (B) EPD	15-30 A	15-60 A	–
			QO (B) EPE	–	–	–
			QO (B) AFI	15-20 A	–	–
			QO (B) CAFI	15-20 A	15-20 A	–
			QO (B) DF	15-20 A	–	–
		BG, HG, JG, LG	QO (B)	15-70 A	15-125 A	–
			QOB-VH	–	150 A	–
			QO (B) PL	15-30 A	15-60 A	–
			QO (B) GFI	15-30 A	15-60 A	–
			QO (B) EPD	15-30 A	15-60 A	–
			QO (B) AFI	15-20 A	–	–
			QO (B) CAFI	15-20 A	15-20 A	–
	100 000	FC, KC	QO (B)	15-70 A	15-100 A	–
			QO (B)	15-70 A	15-125 A	–
		DJ 400 A	QOB-VH	–	150 A	–
			QO (B) GFI	15-30 A	15-60 A	–
			QO (B) EPD	15-30 A	15-60 A	–
			QO (B) AFI	15-20 A	–	–
			QO (B) CAFI	15-20 A	15-20 A	–
			QO (B) DF	15-20 A	–	–
		QJ	QO (B)	15-70 A	15-125 A	–
			QOB-VH	–	150 A	–
			QO (B) PL	15-30 A	15-60 A	–
			QO (B) GFI	15-30 A	15-60 A	–
			QO (B) EPD	15-30 A	15-60 A	–
			QO (B) AFI	15-20 A	–	–
QO (B) CAFI	15-20 A		15-20 A	–		
QO (B) DF	15-20 A		–	–		

Continued on next page

**Table 2: Valeurs nominales de disjoncteurs raccordés en séries
(RMS symétrique) (suite)**

Tension ca Max. du système ^{1, 2}	Courant nominal de court- circuit max.	Disjoncteurs principaux intégrés ou à distance Et fusibles principaux à distance de la marque Square D ^{3, 4, 5, 6,}	Désignation du catalogue des disjoncteurs de dérivation de la marque Square D et gammas d'intensité admissibles ^{7, 8, 9}			
			Type	1 pôle	2 pôles	3 pôles
120/240 1P/3F 208Y/120 3P/4F 240/120 3P/4F	100 000	EJ	QO (B)	15-70 A	15-125 A	–
			QO (B) GFI	15-30 A	15-60 A	–
			QO (B) EPD	15-30 A	15-60 A	–
			QO (B) AFI	15-20 A	–	–
			QO (B) CAFI	15-20 A	15-20 A	–
			QO (B) DF	15-20 A	–	–
		FJ	QO (B)	15-70 A	15-125 A	–
		BJ, HJ, JJ	QO (B)	15-70 A	15-125 A	–
			QOB-VH	–	150 A	–
			QO (B) PL	15-30 A	15-60 A	–
			QO (B) GFI	15-30 A	15-60 A	–
			QO (B) EPD	15-30 A	15-60 A	–
			QO (B) AFI	15-20 A	–	–
			QO (B) CAFI	15-20 A	15-20 A	–
			QO (B) DF	15-20 A	–	–
		LJ	QO (B)	15-70 A	15-125 A	–
			QOB-VH	–	150 A	–
			QO (B) GFI	–	15-60 A	–
			QO (B) EPD	–	15-60 A	–
			QO (B) AFI	15-20 A	–	–
			QO (B) CAFI	15-20 A	15-20 A	–
			QO (B) DF	15-20 A	–	–
		HL, JL	QO (B)	15-70 A	15-125 A	–
			QOB-VH	–	150 A	–
			QO (B) PL	15-30 A	15-60 A	–
			QO (B) GFI	15-30 A	15-60 A	–
			QO (B) EPD	15-30 A	15-60 A	–
			QO (B) AFI	15-20 A	–	–
QO (B) CAFI	15-20 A		15-20 A	–		
QO (B) DF	15-20 A		–	–		

Continued on next page

**Table 2: Valeurs nominales de disjoncteurs raccordés en séries
(RMS symétrique) (suite)**

Tension ca Max. du système ^{1, 2}	Courant nominal de court- circuit max.	Disjoncteurs principaux intégrés ou à distance et fusibles principaux à distance de la marque Square D ^{3, 4, 5, 6,}	Désignation du catalogue des disjoncteurs de dérivation de la marque Square D et gammas d'intensité admissibles ^{7, 8, 9}			
			Type	1 pôle	2 pôles	3 pôles
120/240 1P/3F 208Y/120 3P/4F 240/120 3P/4F	200 000	HR, JR	QO (B)	15-70 A	15-125 A	–
			QO (B) GFI	15-30 A	15-60 A	–
			QO (B) EPD	15-30 A	15-60 A	–
			QO (B) AFI	15-20 A	–	–
			QO (B) CAFI	15-20 A	15-20 A	–
240 1P/2F	25 000	QD, BD, HD, JD, LD	QO (B) H	–	15-100 A	–
	42 000	LA, MA	QDL	–	70-225 A	–
	65 000	DJ 400 A, QG, BG, HG, JG, LG	QO (B) H	–	15-100 A	–
	100 000	DJ 400 A, BJ, HJ, JJ, LJ	QO (B) H	–	15-100 A	–
	125 000	HL, JL	QO (B) H	–	15-100 A	–
208Y/120 3P/4F	18 000	LA/LH MC	QO (B)	–	–	15-30 A
	22 000	QO (B) VH, QOB-VH	QO (B) GFI	–	–	15-50 A
	25 000	QD, ED, FD, BD, HD, JD	QO (B) GFI	–	–	15-50 A
		LD	QO (B) GFI	–	–	15-30 A
	65 000	DJ-W 150-600 A MC	QO (B) VH	–	–	15-100 A
			QOB-VH	–	–	110-150 A
		QG, EG, FG, BG, HG, JG	QO (B) GFI	–	–	15-50 A
		LC, DG, DJ, DL, LG	QO (B) GFI	–	–	15-30 A
	100 000	DJ 400 A	QO (B) VH	–	–	15-100 A
			QOB-VH	–	–	110-150 A
		QJ	QO (B)	–	–	15-30 A
			QO (B) VH	–	–	15-100 A
			QOB-VH	–	–	110-150 A
QO (B) PL			–	–	15-30 A	
QO (B) GFI			–	–	15-50 A	
QO (B) EPD			–	–	15-50 A	
QO (B) EPE			–	–	15-50 A	
QO (B) GFI			–	–	15-50 A	
EJ, BJ, HJ, JJ	QO (B) GFI	–	–	15-50 A		

Continued on next page

**Table 2: Valeurs nominales de disjoncteurs raccordés en séries
(RMS symétrique) (suite)**

Tension ca Max. du système ^{1, 2}	Courant nominal de court- circuit max.	Disjoncteurs principaux intégrés ou à distance Et fusibles principaux à distance de la marque Square D ^{3, 4, 5, 6,}	Désignation du catalogue des disjoncteurs de dérivation de la marque Square D et gammes d'intensité admissibles ^{7, 8, 9}			
			Type	1 pôle	2 pôles	3 pôles
240/120 3P/4F 240 3P/3F	22 000	QO (B) VH QOB-VH	QO (B)	-	-	15-100 A
			QO (B) EPD	-	-	15-50 A
			QO (B) EPE	-	-	15-50 A
	25 000	QD	QO (B)	-	-	15-30 A
			QO (B) VH	-	-	15-100 A
			QOB-VH	-	-	110-150 A
			QO (B) PL	-	-	15-30 A
			QO (B) EPD	-	-	15-50 A
			QO (B) EPE	-	-	15-50 A
		ED, FD	QO (B)	-	-	15-100 A
			QO (B) EPD	-	-	15-50 A
			QO (B) EPE	-	-	15-50 A
		BD, HD, JD	QO (B)	-	-	15-100 A
			QOB-VH	-	-	110-150 A
			QO (B) PL	-	-	15-30 A
			QO (B) EPD	-	-	15-50 A
		LD	QO (B) EPE	-	-	15-50 A
			QO (B) VH	-	-	15-100 A
			QOB-VH	-	-	110-150 A
			QO (B) EPD	-	-	15-30 A
		42 000	LA, MA	QO (B) EPE	-	-
	QDL			-	-	70-225 A
	LC		QO (B) VH	-	-	15-30 A
	65 000	MG	QO (B) VH	-	-	15-100 A
		LC 400 A	QOB-VH	-	-	110-150 A
			QO (B) VH	-	-	15-100 A
			QO (B) EPD	-	-	15-30 A
LC 600 A		QO (B) EPE	-	-	15-30 A	
		DJ 400 A	QO (B) VH	-	-	15-100 A
	QOB-VH		-	-	110-150 A	

Continued on next page

**Table 2: Valeurs nominales de disjoncteurs raccordés en séries
(RMS symétrique) (suite)**

Tension ca Max. du système ^{1, 2}	Courant nominal de court- circuit max.	Disjoncteurs principaux intégrés ou à distance et fusibles principaux à distance de la marque Square D ^{3, 4, 5, 6,}	Désignation du catalogue des disjoncteurs de dérivation de la marque Square D et gammas d'intensité admissibles ^{7, 8, 9}			
			Type	1 pôle	2 pôles	3 pôles
240/120 3P/4F 240 3P/3F	65 000	DJ, DG, DL 150-600 A	QO (B) EPD	–	–	15-30 A
			QO (B) EPE	–	–	15-30 A
		QG	QO (B)	–	–	15-30 A
			QO (B) VH	–	–	15-100 A
			QOB-VH	–	–	110-150 A
			QO (B) PL	–	–	15-30 A
		EG, FG	QO (B)	–	–	15-100 A
			QOB-VH	–	–	110-125 A
			QO (B) EPD	–	–	15-50 A
			QO (B) EPE	–	–	15-50 A
		BG, HG, JG	QO (B)	–	–	15-100 A
			QOB-VH	–	–	110-150 A
			QO (B) PL	–	–	15-30 A
			QO (B) EPD	–	–	15-50 A
		QO (B) EPE	–	–	–	15-50 A
			LG	QO (B) VH	–	–
	QOB-VH			–	–	110-150 A
	QO (B) EPD			–	–	15-30 A
	QO (B) EPE	–		–	15-30 A	
	100 000	FC, KC	QO (B)	–	–	15-100 A
			QO (B)	–	–	15-100 A
		EJ	QOB-VH	–	–	110-125 A
			QO (B) EPD	–	–	15-50 A
			QO (B) EPE	–	–	15-50 A
			QO (B) EPE	–	–	15-50 A
		FJ	QO (B)	–	–	15-100 A
			QOB-VH	–	–	110-125 A
		BJ, HJ, JJ	QO (B)	–	–	15-100 A
QOB-VH			–	–	110-150 A	
QO (B) PL			–	–	15-30 A	
QO (B) EPD			–	–	15-50 A	
QO (B) EPE	–	–	–	15-50 A		
	LJ	QO (B) VH	–	–	15-100 A	
QOB-VH		–	–	110-150 A		

Continued on next page

**Table 2: Valeurs nominales de disjoncteurs raccordés en série
(RMS symétrique) (suite)**

Tension ca Max. du système 1, 2	Courant nominal de court- circuit max.	Disjoncteurs principaux intégrés ou à distance et fusibles principaux à distance de la marque Square D ^{3, 4, 5, 6,}	Désignation du catalogue des disjoncteurs de dérivation de la marque Square D et gammas d'intensité admissibles 7, 8, 9			
			Type	1 pôle	2 pôles	3 pôles
240/120 3P/4F 240 3P/3F	125 000	HL, JL	QO (B)	–	–	15-100 A
			QOB-VH	–	–	110-150 A
			QO (B) PL	–	–	15-30 A
			QO (B) EPD	–	–	15-50 A
			QO (B) EPE	–	–	15-50 A
	200 000	FI, KI, HR, JR	QO (B)	–	–	15-100 A
QOB-VH			–	–	110-150 A	
120/240 1P/3F 208Y/120 3P/4F 240/120 3P/4F	42 000	400 A max. Fusibles classe T3	QO (B) VH	15-70 A	15-125 A	–
	65 000	400 A max. classe J Fusibles	QO (B) VH	15-70 A	15-125 A	–
			QO (B) AFI	15-20 A	–	–
			QO (B) CAFI	15-20 A	15-20 A	–
			QO (B) DF	15-20 A	–	–
		400 A max. classe T6 Fusibles	QO (B) VH	15-70 A	15-125 A	–
			QOB-VH	–	150 A	–
			QO (B) AFI	15-20 A	–	–
			QO (B) CAFI	15-20 A	15-20 A	–
	100 000	200 A max. classe T3 Fusibles	QO (B) DF	15-20 A	–	–
			QO (B)	15-70 A	15-125 A	–
			QO (B) GFI	15-30 A	15-60 A	–
			QO (B) EPD	15-30 A	15-60 A	–
			QO (B) AFI	15-20 A	–	–
QO (B) CAFI			15-20 A	15-20 A	–	
200 000	200 A max. classe T6 ou J Fusibles	QO (B) DF	15-20 A	–	–	
		QO (B)	15-70 A	15-125 A	–	
		QO (B) GFI	15-30 A	15-60 A	–	
		QO (B) EPD	15-30 A	15-60 A	–	
	400 A max. classe T3 Fusibles	QO (B)	15-70 A	15-125 A	–	
		QO (B) GFI	15-30 A	15-60 A	–	
		QO (B) EPD	15-30 A	15-60 A	–	
		QO (B) EPD	15-30 A	15-60 A	–	

Continued on next page

**Table 2: Valeurs nominales de disjoncteurs raccordés en séries
(RMS symétrique) (suite)**

Tension ca Max. du système ^{1, 2}	Courant nominal de court- circuit max.	Disjoncteurs principaux intégrés ou à distance et fusibles principaux à distance de la marque Square D ^{3, 4, 5, 6,}	Désignation du catalogue des disjoncteurs de dérivation de la marque Square D et gammas d'intensité admissibles ^{7, 8, 9}			
			Type	1 pôle	2 pôles	3 pôles
208Y/120 3P/4F	65 000	400 A max. Classe J	QO (B) GFI	–	–	15-50 A
	100 000	200 A max. Classe T3	QO (B) GFI	–	–	15-50 A
	200 000	200 A max. Fusibles classe T6 ou J	QO (B) GFI	–	–	15-50 A
		400 A max. Fusibles classe T3	QO (B) GFI	–	–	15-50 A
240/120 3P/4F 240 3P/3F	50 000	600 A max. Fusibles classe T3	QO (B) VH	–	–	15-30 A
	65 000	400 A max. Fusibles classe J	QO (B) VH	–	–	15-100 A
			QO (B) VH	–	–	15-100 A
			QOB-VH	–	–	110-150 A
	100 000	200 A max. Fusibles classe T3	QO (B)	–	–	15-100 A
			QO (B) EPD	–	–	15-50 A
			QO (B) EPE	–	–	15-50 A
			QO (B)	–	–	15-100 A
			QO (B) EPD	–	–	15-50 A
			QO (B) EPE	–	–	15-50 A
	200 000	200 A max. classe T6 ou J Fusibles	QO (B)	–	–	15-100 A
			QO (B) EPD	–	–	15-50 A
QO (B) EPE			–	–	15-50 A	
400 A max. classe T3 Fusibles		QO (B)	–	–	15-100 A	
		QO (B) EPD	–	–	15-50 A	
		QO (B) EPE	–	–	15-50 A	

¹ Les valeurs nominales des séries indiquées pour des tensions plus élevées s'appliquent à des tensions plus basses (Exemple : 240 3P/3F couvre 208Y/120 3P/4F).

² Les essais de court-circuit sont effectués à 100-105 % de la tension nominale max. du panneau de distribution.

³ « MC » désigne des disjoncteurs critiques.

⁴ Pour obtenir une coordination sélective, la valeur nominale du disjoncteur principal DJ doit être au moins deux fois plus importante que l'intensité nominale de tout disjoncteur de dérivation.

⁵ Lorsque LG est indiqué, LJ et LL peuvent être utilisés.

⁶ Sauf indication contraire, les disjoncteurs principaux peuvent s'appliquer à l'intensité nominale max. disponible.

⁷ Les suffixes HID, SWD et SWN peuvent également s'appliquer aux disjoncteurs de dérivation appropriés figurant ci-dessus. Le suffixe SWN ne doit pas être appliqué en combinaison avec les disjoncteurs principaux LC.

⁸ Lorsque les disjoncteurs QO(B) sont indiqués ci-dessus, les disjoncteurs QO(B)H, QO(B)VH et QH(B) peuvent également être utilisés.

⁹ Les disjoncteur bipolaires CAFI ne peuvent pas être utilisés sur les systèmes 208Y/120V

Tableau 3 : Sélectivité de disjoncteur critique pour panneau NQ

SCCR maximum (RMS symétriques)	Disjoncteurs principaux intégrés ou à distance	Disjoncteurs de dérivation			
		Type ¹	Unipolaire	Bipolaire	Tripolaire
Pleine valeur nominale et sélectif jusqu'à 10 kA à 208 Y/120 Vca ou à 240/120 Vca	J-W, 250 A L-W, 250 A	QQ(B)	10-70	10-125	10-125
		QQ(B)-H			
		QQ(B)-VH			
		QH			
Valeur nominale en série et sélectif jusqu'à 12kA à 208 Y/120 Vca ou à 240/120 Vca	J-W, 250 A	QQ(B)	10-70	10-125	10-60
		QQ(B)-H			
		QQ(B)-VH			
		QH			
Valeur nominale en série et sélectif jusqu'à 15kA à 208 Y/120 Vca ou à 240/120 Vca	J-W, 250 A	QQ(B)	10-60	10-60	10-30
		QQ(B)-H			
		QQ(B)-VH			
		QH			
Valeur nominale en série et sélectif jusqu'à 18kA à 208 Y/120 Vca ou à 240/120 Vca	J-W, 250 A	QQ(B)	10-30	10-30	—
		QQ(B)-H			
		QQ(B)-VH			
		QH			
	L-W, 250 A	QQ(B)	10-60	10-60	10-60
		QQ(B)-H			
		QQ(B)-VH			
		QH			
Valeur nominale en série et sélectif jusqu'à 30kA à 208 Y/120 Vca ou à 240/120 Vca	L-W, 400 A L-W, 600 A	QQ(B)	15-70	15-150	15-150
		QQ(B)-H			
		QQ(B)-VH			
		QH			

¹ Y compris les disjoncteurs AFI, CAFI, EPD et GFI.

Tableau 4 : Courant nominal de court-circuit¹ pour intérieurs à cosses principales avec cosses de traversée ou de sous-alimentation

Tension ca maximale du système	Courant nominal maximal	Circuits d'artère	Application	Addition ²	Courant nominal de court-circuit max. ³	
240	100	18, 30	SFL and FTL	—	10,000	
	225	30, 42, 54, 72, 84, 96	SFL	6 pouces (152.4 mm)		
		42	FTL	—		
	30, 54, 72, 84, 96	6 pouces (152.4 mm)				
	400	30, 42, 54, 72, 84	SFL	—	25,000	
				96	—	10,000
		42, 54, 72	FTL	—	25,000	
				96	—	10,000
				6 pouces (152.4 mm)	25,000	
	600	30, 42, 54, 72, 84	FTL	12 pouces (304.8 mm)	10,000	
		96				

¹ Ces valeurs nominales concernent les intérieurs à cosses principales, munis de cosses de sous-alimentation ou de traversée, où le dispositif alimentant l'intérieur est inconnu ou autre qu'un dispositif de marque Square D. L'utilisation d'un disjoncteur principal de la marque Square D en amont de ces cosses aboutira à une valeur nominale égale à la valeur nominale du disjoncteur. Les essais de courts-circuits sont effectués de 100 à 105 % de la tension nominale maximale du panneau de distribution.

² Addition est la longueur supplémentaire du coffret.

³ Ampères rms symétriques, pour trois cycles.

Marquage CE

- Les intérieurs avec la marque CE sont conformes aux normes IEC 61439-1 et IEC 61439-2.
- Les intérieurs à cosses principales avec la marque CE ont été vérifiés pour supporter 10 000 A RMS symétriques pendant 30 cycles.
- Les intérieurs avec la marque CE ne sont approuvés que pour une utilisation avec les disjoncteurs de dérivation QOXD ou QOBXD qui comportent la marque CE.

Annexe 2 : Accessoires

Un assortiment d'accessoires pouvant être installés sur place est disponible pour les panneaux de distribution NQ :

- Kits de barre de m.à.l.t. de l'appareil
- Kits de cosses surdimensionnées pour les panneaux de distribution de 100 à 250 A
- Kits de cosses de sous-alimentation pour les panneaux de distribution de 100 à 400 A
- Kit de cosse principale
 - Kits de cosses mécaniques — Aluminium
 - Kits de cosses mécaniques — Cuivre
 - Kits de cosses à compression Versa-Crimp® — Aluminium
 - Kits de cosses à compression Versa-Crimp — Cuivre

Kits de barre de m.à.l.t. de l'appareil


Les kits de barre de m.à.l.t. de l'appareil, convenant à du fil de cuivre ou d'aluminium, répondent aux besoins de m.à.l.t. des panneaux de distribution NQ ou des centres de distribution QONQ.

Tableau 5 : Spécifications des kits de barre de m.à.l.t. de l'appareil

Panneaux de distribution		Utiliser le numéro de catalogue du kit de barre de m.à.l.t.	
Circuit d'artère	Valeur nominale du secteur	Aluminium ¹	Cuivre ²
1-42	600 A maximum	(1) PK27GTA	(1) PK27GTACU
54-84		(2) PK27GTA	(2) PK27GTACU

¹ Barres en aluminium convenant à des conducteurs en cuivre ou aluminium de 60 °C ou 75 °C.

² Barres en cuivre convenant à des conducteurs en cuivre de 60 °C ou 75 °C.

REMARQUE : Les emplacements de montage d'une barre de m.à.l.t. sont identifiés par le symbole de terre  estampé sur la paroi arrière du coffret.

Kits de cosses surdimensionnées pour les panneaux de distribution de 100 à 250 A

Les kits de cosses surdimensionnées sont disponibles pour les applications dans lesquelles des conducteurs de terminaison d'un calibre de 3 AWG ou plus grand sont requis pour le neutre.

Tableau 6 : Spécifications du kit de cosses surdimensionnées pour les panneaux de distribution de 100 à 250 A

Valeur nominale du disjoncteur	N° de catalogue du kit	Calibre des fils
70 A	QO70AN	(1) 10–2 Al (1) 5,76–33,6 mm ² (1) 14–4 Cu (1) 2,08–21,1 mm ²
80 à 125 A	Q1100AN	(1) 4–1/0 Al/Cu (1) 42,4–53,5 mm ²
125 à 150 A	Q1150AN	(1) 1–4/0 Al/Cu (1) 42,4–107 mm ²

Kits de cosses de sous-alimentation pour les panneaux de distribution de 100 à 400 A

Des cosses principales de sous-alimentation sont disponibles pour les applications de 100, 225 ou 400 A.

Tableau 7 : Spécifications du kit de cosses de sous-alimentation pour les panneaux de distribution de 100 à 400 A

Intensité principale	N° de catalogue du kit	Nombre max. de circuits
100	NQSFL1	18, 30
225	NQSFL2	30 ¹ , 42 ¹ , 54 ¹ , 72 ¹ , 84 ¹
400	NQSFL4	30, 42, 54, 72, 84

¹ Ces panneaux exigent 152,4 mm (6 pouces) supplémentaires pour le coffret et la garniture, afin d'avoir un espace de courbure des fils appropriés.

Kit de cosse principale**Tableau 8 : Kits de cosses mécaniques — Aluminium**

Intensité du panneau de distribution	N° de catalogue du kit	Calibre des fils
100	Standard	N° 6–2/0 AWG 13,3–67,43 mm ²
225	Standard	N° 6–350 kcmil 13,3–177,3 mm ²
400	Standard	(1) 1/0–750 kcmil (2) 1/0–350 kcmil (1) 53,48–380 mm ² (2) 53,48–177,3 mm ²
600	Standard	(2) 1/0–750 kcmil (2) 53,48–380 mm ²
	NQALM6A	(3) #6–250 kcmil (3) 13,3–127 mm ²

Tableau 9 : Kits de cosses mécaniques — Cuivre

Intensité du panneau de distribution	N° de catalogue du kit	Calibre des fils
100	NQCUM1	N° 6–2/0 AWG 13,3–67,43 mm ²
225	NQCUM2	N° 6 à 250 kcmil 13,3–127 mm ²
400	NQCUM4	(1) 1/0–750 kcmil (2) 1/0–350 kcmil
600	NQCUM6	(1) 53,48–380 mm ² (2) 53,48–177,3 mm ²

Tableau 10 : Kits de cosses à compression Versa-Crimp® — Aluminium

Intensité du panneau de distribution	N° de catalogue du kit	Calibre des fils	Outil de sertissage
100	NQALV1	N° 8–1/0 AWG 8,36–53,48 mm ²	VC6 (tous)
225	NQALV2	N° 4 à 300 kcmil 21,15–152 mm ²	
400	NQALV4	(2) 2/0–500 kcmil	VC6-3,
600	NQALV6	(2) 67,43–253,4 mm ²	VC6-FT

Tableau 11 : Kits de cosses à compression Versa-Crimp — Cuivre

Intensité du panneau de distribution	N° de catalogue du kit	Calibre des fils	Outil de sertissage
100	NQCUV1	N° 6–1/0 AWG 13,30–53,48 mm ²	VC6 (tous) VC7 (tous)
225	NQCUV2	2/0 à 300 kcmil 67,43–152 mm ²	VC6-3, VC7, VC6-FT, VC7-FT
400	NQCUV4	400–750 kcmil 202,7–380 mm ²	VC6-FT, VC7-FT, VC8
600	NQCUV6	(2) 250–500 kcmil (2) 126,7–253,4 mm ²	VC6-3, VC7, VC6-FT, VC7-FT

Seul un personnel qualifié doit effectuer l'installation, l'utilisation, l'entretien et la maintenance du matériel électrique. Schneider Electric n'assume aucune responsabilité des conséquences éventuelles découlant de l'utilisation de cette documentation.

© 2007–2015 Schneider Electric Tous droits réservés
Schneider Electric et Square D sont marques commerciales de Schneider Electric Industries SAS ou de ses compagnies affiliées. Toutes les autres marques commerciales utilisées dans ce document sont la propriété de leurs propriétaires respectifs.

Schneider Electric Canada

5985 McLaughlin Road
Mississauga, ON L5R 1B8 Canada
1-800-565-6699
www.schneider-electric.ca

80043-712-06 Rev. 04, 02/2019
Remplace 80043-712-06

NQ/NQM Panelboards and QONQ Load Centers
Para los tableros de alumbrado NQ/NQM y centros de carga QONQ
Pour panneaux de distribution NQ/NQM et centres de distribution QONQ

Electrical equipment should be installed, operated, serviced, and maintained only by qualified personnel. No responsibility is assumed by Schneider Electric for any consequences arising out of the use of this material.

© 2007–2019 Schneider Electric
All Rights Reserved

Schneider Electric and Square D are trademarks owned by Schneider Electric Industries SAS or its affiliated companies. All other trademarks are the property of their respective owners.

Schneider Electric USA, Inc.

1415 S. Roselle Road
Palatine, IL 60067 USA
1-888-SquareD
www.us.squareD.com

80043-712-06 Rev. 04
02/2019
Replaces 80043-712-06

Solamente el personal especializado deberá instalar, hacer funcionar y prestar servicios de mantenimiento al equipo eléctrico. Schneider Electric no asume responsabilidad alguna por las consecuencias emergentes de la utilización de este material.

© 2007–2019 Schneider Electric
Reservados todos los derechos

Schneider Electric y Square D son marcas comerciales de Schneider Electric Industries SAS o sus compañías afiliadas. Todas las otras marcas comerciales son propiedad de sus respectivos propietarios.

Importado en México por:
Schneider Electric, S.A. de C.V.

Calz. J. Rojo Gómez 1121-A
Col. Gpe. del Moral 09300 México, D.F.
Tel. 55-5804-5000
www.schneider-electric.com.mx

80043-712-06 Rev. 04
02/2019
Reemplaza 80043-712-06

Seul un personnel qualifié doit effectuer l'installation, l'utilisation, l'entretien et la maintenance du matériel électrique. Schneider Electric n'assume aucune responsabilité des conséquences éventuelles découlant de l'utilisation de cette documentation.

© 2007–2019 Schneider Electric
Tous droits reserves

Schneider Electric et Square D sont marques commerciales de Schneider Electric Industries SAS ou de ses compagnies affiliées. Toutes les autres marques commerciales utilisées dans ce document sont la propriété de leurs propriétaires respectifs.

Schneider Electric Canada, Inc.

5985 McLaughlin Road
Mississauga, ON L5R 1B8 Canada
Tel: 1-800-565-6699
www.schneider-electric.ca

80043-712-06 Rev. 04
02/2019
Remplace 80043-712-06