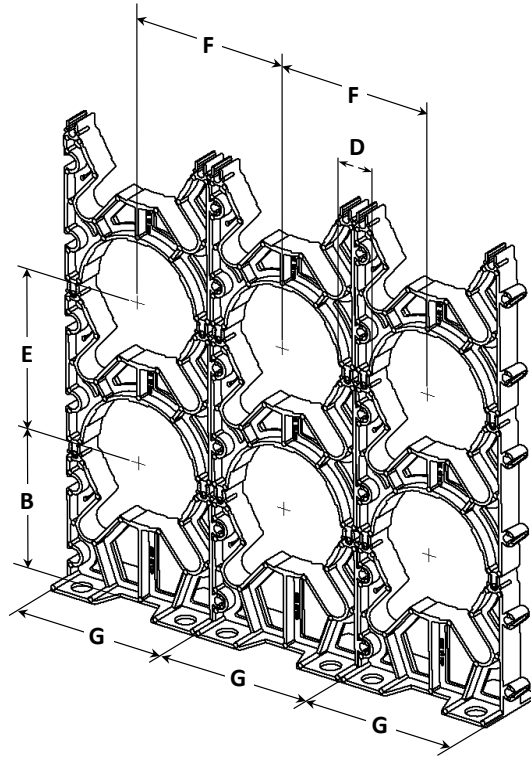
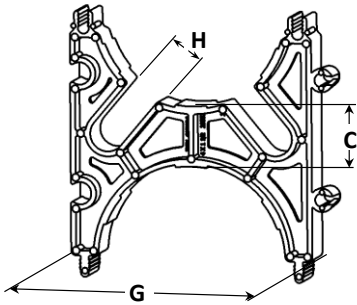
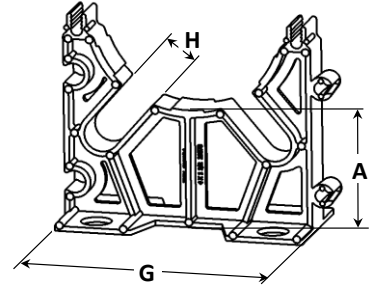


## VERTICAL-LOK SPACERS

**Intermediate Vertical-Lok Spacers**



**Base Vertical-Lok Spacers**



**Intermediate Vertical-Lok Spacers**

SIZE (IN)	Part Number	Product code	DIMENSIONS (IN)					
			C	D	E	F	G	H
2 x 1 1/2	IS3530	029550	1.52	1.50	3.95	3.95	3.94	0.63
2 x 2	IS3535	029551	2.03	2.06	4.48	4.48	4.47	0.63
2 x 3	IS3545	029552	3.00	3.03	5.45	5.45	5.44	0.63
3 x 1 1/2	IS4530	029553	1.50	1.45	5.15	5.12	5.12	*
3 x 2	IS4535	029554	2.00	1.88	5.64	5.63	5.63	0.88
3 x 3	IS4545	029555	3.00	2.88	6.66	6.63	6.63	0.88
4 x 1	IS5520	029556	1.00	1.03	5.66	5.63	5.63	*
4 x 1 1/2	IS5530	029557	1.50	1.39	6.13	6.14	6.13	0.88
4 x 2	IS5535	029558	2.00	1.88	6.64	6.63	6.63	0.88
4 x 3	IS5545	029559	3.00	2.90	7.64	7.64	7.63	0.88
5 x 1 1/2	IS6030	029560	1.68	1.69	7.37	7.37	7.37	*
5 x 2	IS6035	029561	2.25	2.15	7.89	7.89	7.88	0.88
5 x 3	IS6045	029562	3.06	2.96	8.70	8.70	8.69	0.88
6 x 1 1/2	IS6530	029563	1.50	1.38	8.24	8.22	8.21	0.88
6 x 2	IS6535	029564	2.00	1.89	8.74	8.73	8.72	0.88
6 x 3	IS6545	029565	3.00	2.90	9.77	9.77	9.75	0.88
8 x 2	IS8035	029294	-	-	-	-	-	*

**Base Vertical-Lok Spacers**

SIZE (IN)	Part Number	Product code	DIMENSIONS (IN)		
			A	B	H
2 x 1 1/2	BS3530	029566	3.04	4.25	0.63
2 x 2	BS3535	029567	3.04	4.25	0.63
2 x 3	BS3545	029568	3.04	4.25	0.63
3 x 1 1/2	BS4530	029569	3.00	5.84	*
3 x 2	BS4535	029570	2.97	4.78	0.88
3 x 3	BS4545	029571	3.00	4.81	0.88
4 x 1	BS5520	029572	1.76	4.05	*
4 x 1 1/2	BS5530	029573	3.00	5.31	0.88
4 x 2	BS5535	029574	3.06	5.38	0.88
4 x 3	BS5545	029575	3.06	5.38	0.88
5 x 1 1/2	BS6030	029576	3.00	5.84	*
5 x 2	BS6035	029577	3.13	5.94	0.88
5 x 3	BS6045	029578	3.19	6.00	0.88
6 x 1 1/2	BS6530	029579	3.02	6.38	0.88
6 x 2	BS6535	029580	3.02	6.38	0.88
6 x 3	BS6545	029581	3.00	6.38	0.88
8 x 2	BS8035	029294	-	-	*

\* Do not have rebar slots or base holes