
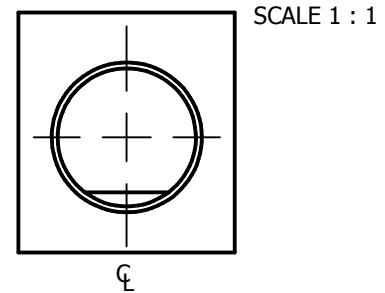
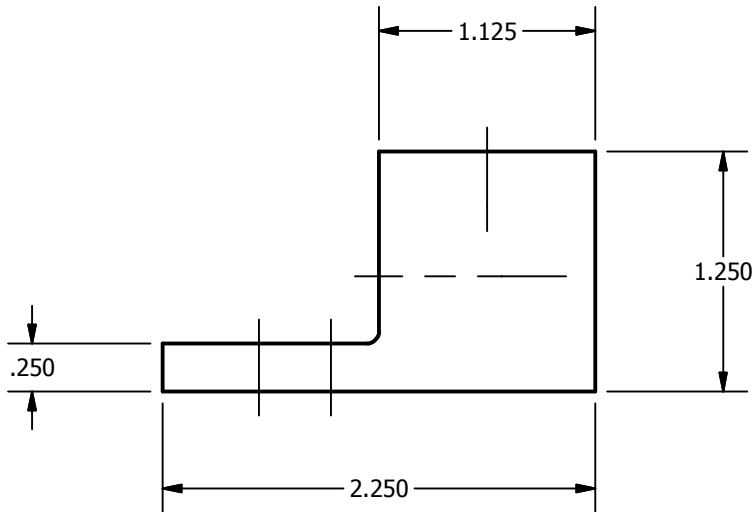
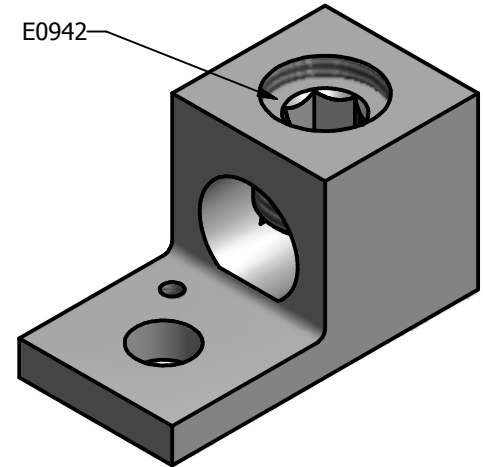
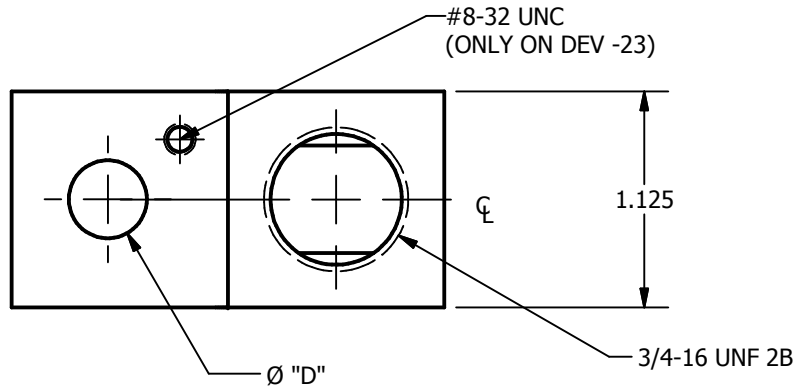









|                              |                    |                          |  |
|------------------------------|--------------------|--------------------------|--|
| SCREW: SEE CHART             | MATERIAL: ALUMINUM | REV: N                   | <br>800-776-9775 www.ilsco.com |
| CAT. NO.: TA-350             | PLATING: EL-TIN    | DRAWN BY: NN SCALE: 1/2  |  |
| INFORMATION SHEET: SEE CHART | MARKING: SEE CHART | DATE: 12/10/2007 SIZE: A |  |
|                              |                    |                          | DWG. NO. <b>D0981</b>  |
|                              |                    |                          | SHEET: 1 OF 1  |



| DEV. | "D"  | MARKING  | STUFFER SHEET |
|------|------|--|---------------|
| C10T | .406 | BKB, ADR35, 350-6, AL9CU                | FORM 96       |
| C11T | .562 | BKB, ADR352, 350-6, AL9CU               | FORM 96       |
| C22T | .406 | ILSCO, D981, TA-350, 350kcmil-6, AL9CU  | FORM 1        |
| C23T | .406 | ILSCO, D981, TA-350, 350kcmil-6, AL9CU  | FORM 1        |
| C24T | .406 | ILSCO, D981, TA-350, 350kcmil-6, AL9CU  | FORM 1        |
| C25T | .312 | ILSCO, D981, TA-350, 350kcmil-6, AL9CU  | FORM 1        |
| C42T | .562 | ILSCO, D981, TA-350, 350kcmil-6, AL9CU  | FORM 1        |