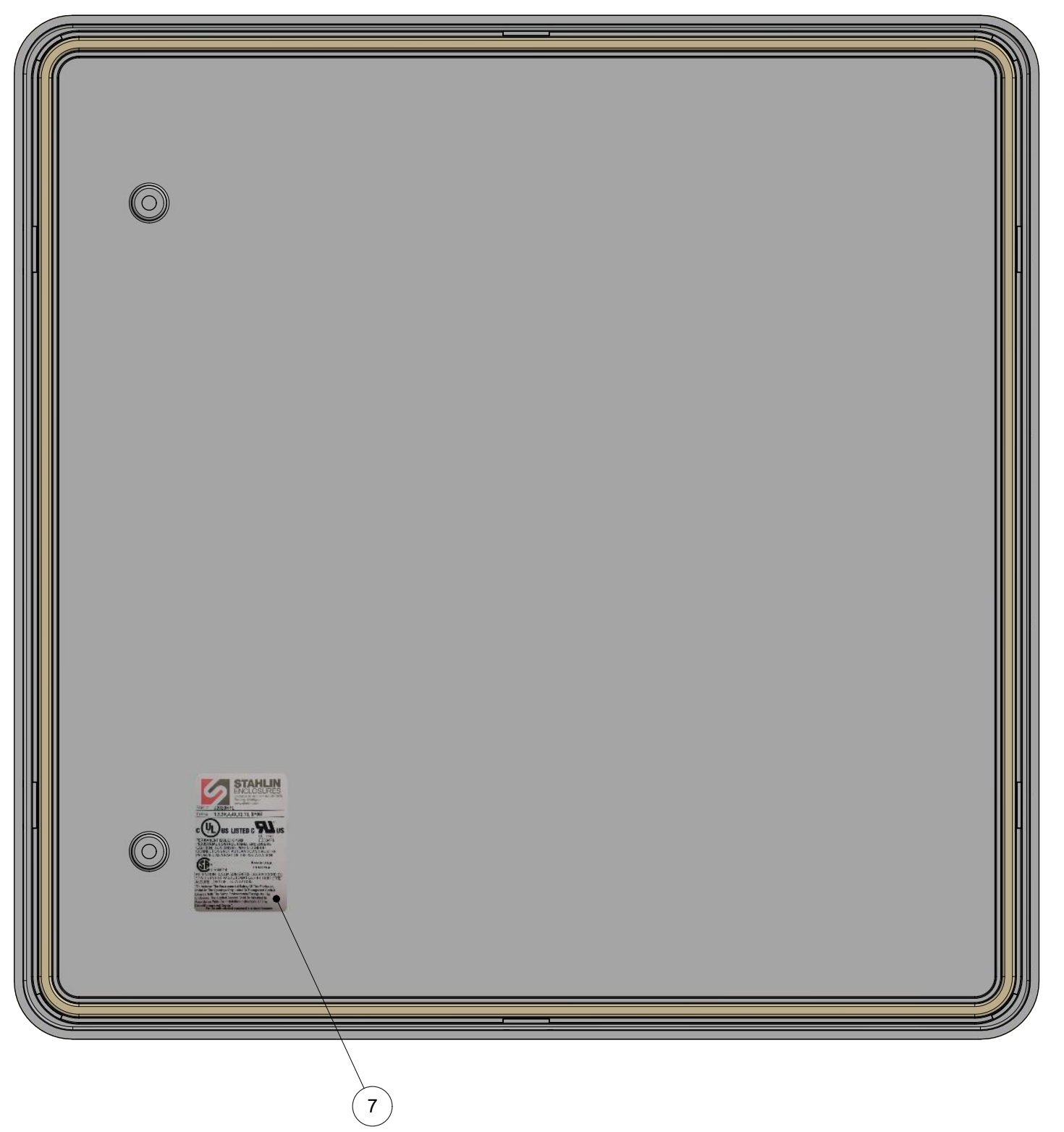
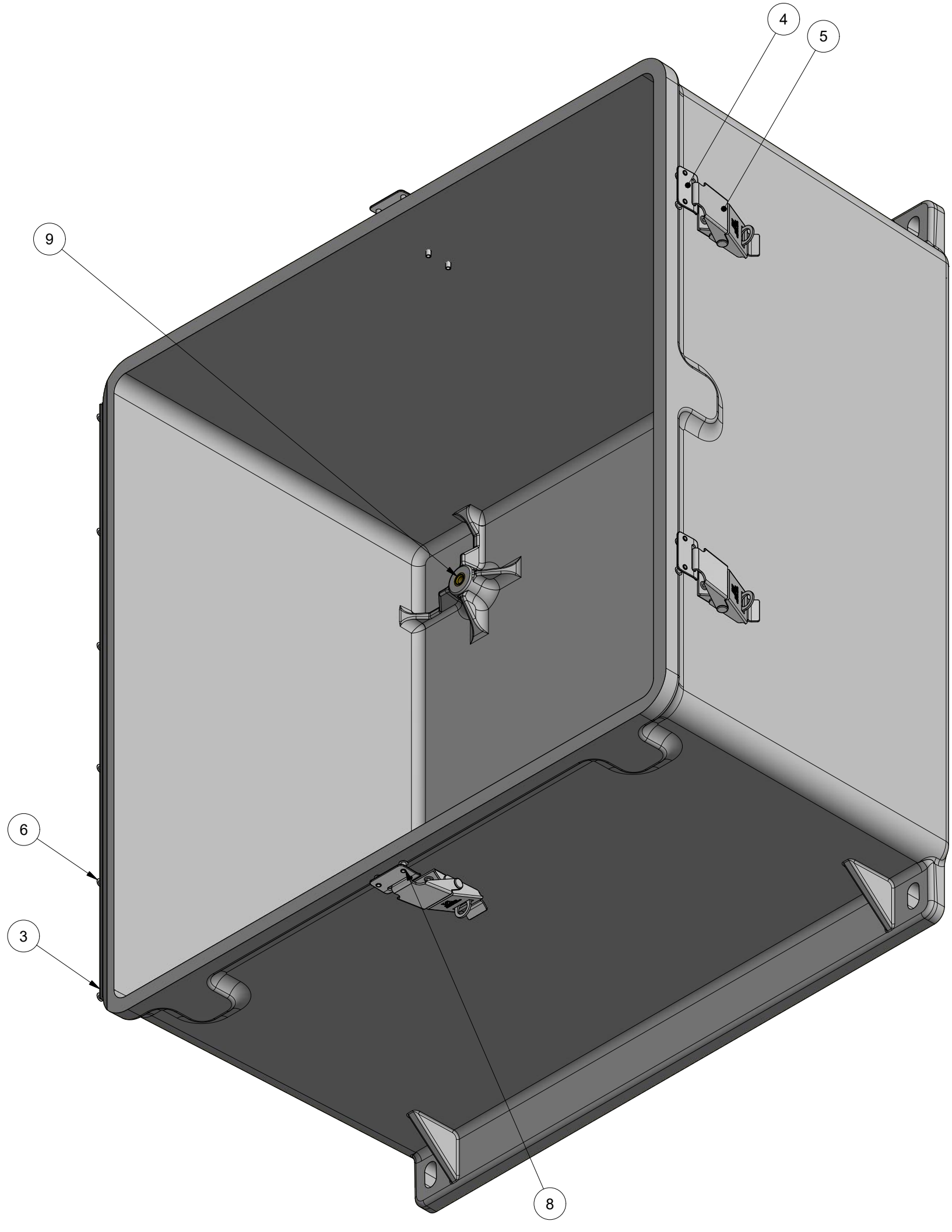
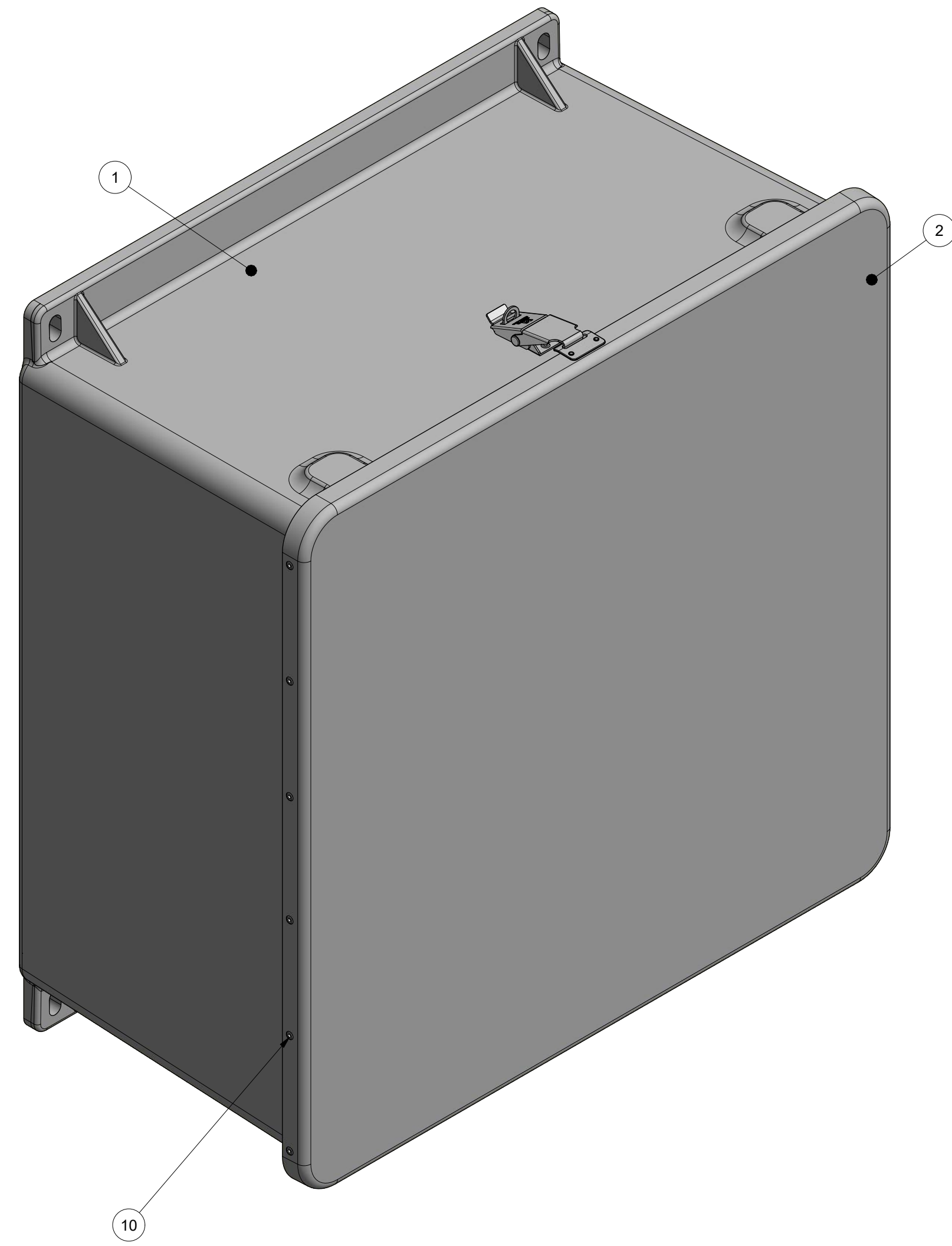


THIS DRAWING IS THE SOLE AND EXCLUSIVE PROPERTY OF ROBROY ENCLOSURES. NO PART OF THIS DRAWING MAY BE REPRODUCED, DISTRIBUTED, OR PUBLICALLY DISPLAYED IN ANY FORM OR BY ANY MEANS WITHOUT THE EXPRESS WRITTEN PERMISSION OF ROBROY ENCLOSURES. ALL RIGHTS RESERVED. UNDER THE COPYRIGHT LAWS. COPYRIGHT © 2010 ROBROY ENCLOSURES.

SPECIAL REQUIREMENTS

NEMA 250: TYPE 1, 3, 3R, 4, 4X, 12, 13 IEC 60529: IP66 COLOR: GLACIER GRAY (WPR3X13) COLOR STANDARD: PANTONE 428 C		STANDARD P/N: J2020HPL CUSTOMER DWG: N/A	ALL DIMENSIONS ARE IN INCHES UNLESS OTHERWISE SPECIFIED	TOLERANCES UNLESS SPECIFIED	.XX ± 0.03	.XXX ± 0.010
MATERIAL: FIBERGLASS REINFORCED POLYESTER (FRP)						
REVISION HISTORY						
REV	DESCRIPTION	DATE	ENG			
-	-	-	-			
-	-	-	-			
-	-	-	-			
-	-	-	-			
-	-	-	-			
-	-	-	-			
DRAWN BY: DRH		DATE: 12/03/13	CUSTOMER:		DWG: J2020HPL	
SCALE: DO NOT SCALE		DESCRIPTION: STANDARD ENCLOSURE	PART NUMBER: FEJ2020HPL			






PARTS LIST			
ITEM	QTY	PART NUMBER	DESCRIPTION
1	1	WP2020H&LBOX	J2020 MOLDED H&L BOX
2	1	WP2020HLLU	J2020 GASKETED COVER
3	1	RMHING19-1/2	19.5" HINGE
4	4	RMKEEPSSL	HPL KEEPER
5	4	RMLATSSL	HPL LATCH
6	28	RMRIV44	RIVET
7	1	RMLABSTAHLIN3X2	J2020HPL LABEL
8	AR	RTV-732	SILICONE SEALANT
9	4	RMINS25020A12-18	1/4-20 x 5/16 TYPE A MOLDED-IN INSERT
10	8	RMRIV43	RIVET

NOTES:
 1. RTV 732 SILICONE SEALANT SHALL BE APPLIED UNDER ALL LATCHES AROUND LATCH HOLES AND TOP OF RIVET AFTER INSTALLATION

THIS DRAWING IS THE SOLE AND EXCLUSIVE PROPERTY OF ROBROY ENCLOSURES. NO PART OF THIS DRAWING MAY BE REPRODUCED, DISTRIBUTED, OR PUBLICALLY DISPLAYED IN ANY FORM OR BY ANY MEANS WITHOUT THE EXPRESS WRITTEN PERMISSION OF ROBROY ENCLOSURES. ALL RIGHTS RESERVED. UNDER THE COPYRIGHT LAWS. COPYRIGHT © 2016 ROBROY ENCLOSURES.

SPECIAL REQUIREMENTS

NEMA 250: TYPE 1, 3, 3R, 4, 4X, 12, 13 IEC 60529: IP66 COLOR: GLACIER GRAY (WPR313) COLOR STANDARD: PANTONE 428 C		STANDARD P/N: J2020HPL CUSTOMER DWG: N/A	ALL DIMENSIONS ARE IN INCHES UNLESS OTHERWISE SPECIFIED	TOLERANCES UNLESS SPECIFIED .XX ± 0.03 .XXX ± 0.010		
MATERIAL: FIBERGLASS REINFORCED POLYESTER (FRP)		 Robroy Enclosures 500 Maple Street Belding, Michigan 48809 Phone: 616-794-0700 Fax: 616-749-3378				
DRAWN BY: DRH	DATE: 12/03/13				CUSTOMER:	DWG: J2020HPL
SCALE: DO NOT SCALE	DESCRIPTION: STANDARD ENCLOSURE				PART NUMBER: FEJ2020HPL	