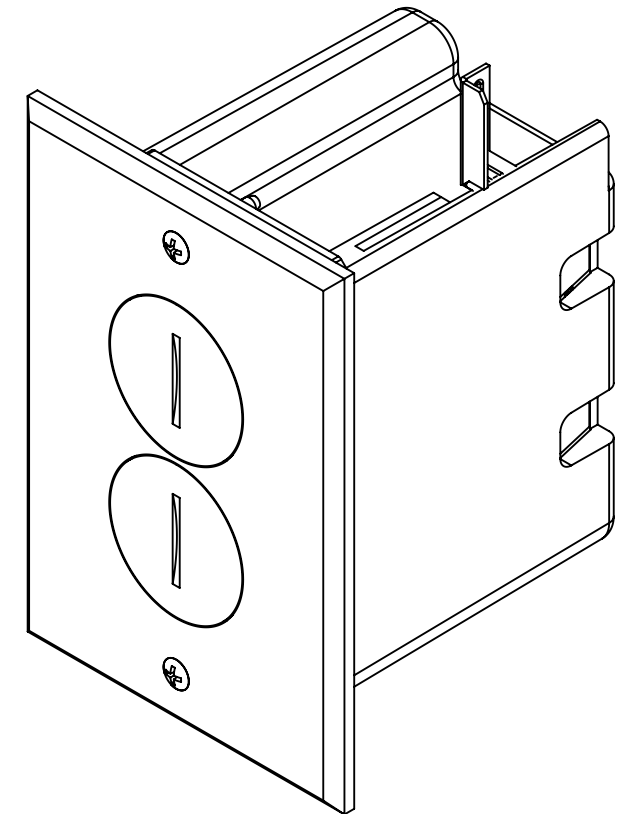
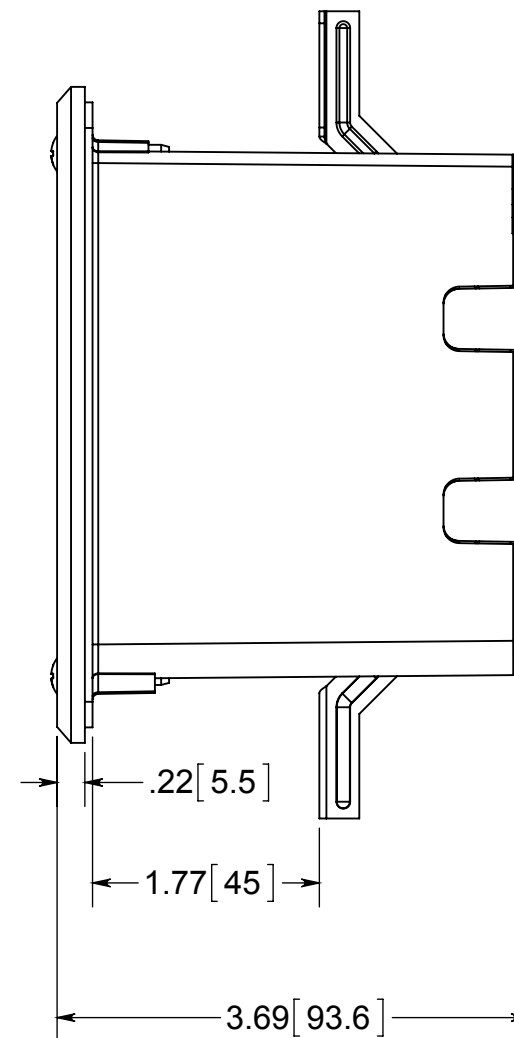
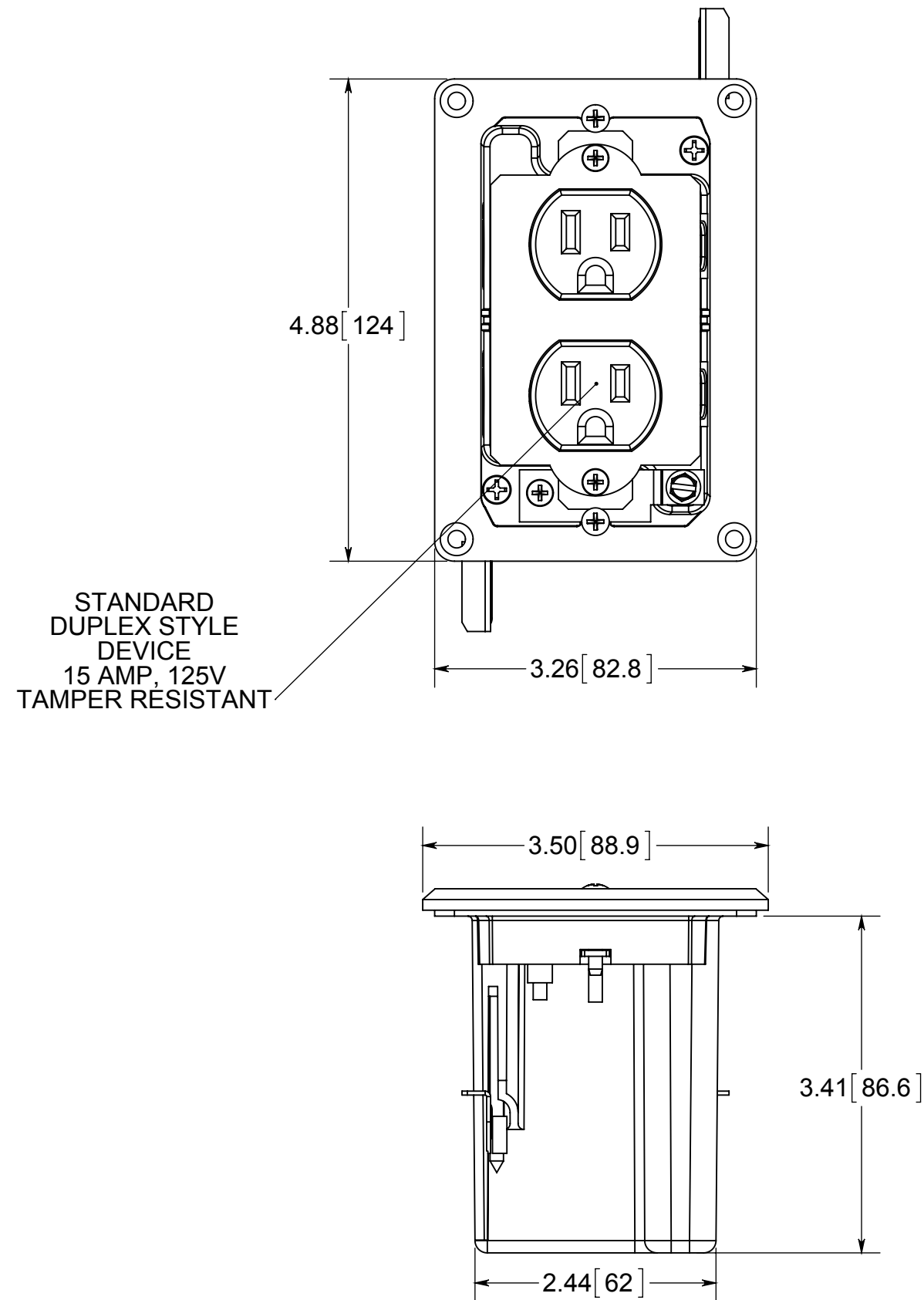


FLOOR BOX



NOTES:
 1.) BOX MATERIAL: POLYCARBONATE, COVER
 PLATE MATERIAL: DARK BRONZE PLATED BRASS,
 COVER PLATE MOUNTING SCREW MATERIALS:
 DARK BRONZE PLATED BRASS, DEVICE
 MOUNTING SCREW MATERIALS: ZINC PLATED
 STEEL, FLANGE MOUNTING SCREW MATERIALS:
 BLACK PHOSPHATE COATED STEEL WING
 MATERIAL: ZINC PLATED STEEL, GROUND PLATE
 MATERIAL: ZINC PLATED STEEL, GASKET
 MATERIALS: POLYURETHANE FOAM
 2.) UL LISTED, FLOOR BOX MEETS UL514C SCRUB
 WATER EXCLUSION TEST

 **ALLIED MOULDED PRODUCTS**
 BRYAN, OHIO
 The Original Fiber Glass Outlet Box

PRODUCT SERIES
 SINGLE GANG FLIP LID FLOOR BOX 24.5 CU. IN.

Part No.
FB-2DB

CONFIDENTIAL
 THIS MATERIAL IS OWNED BY THE ALLIED MOULDED
 PRODUCTS COMPANY, IS DISCLOSED IN CONFIDENCE,
 AND IS NOT TO BE REPRODUCED OR DISTRIBUTED
 WITHOUT PRIOR WRITTEN PERMISSION FROM
 ALLIED MOULDED PRODUCTS.