

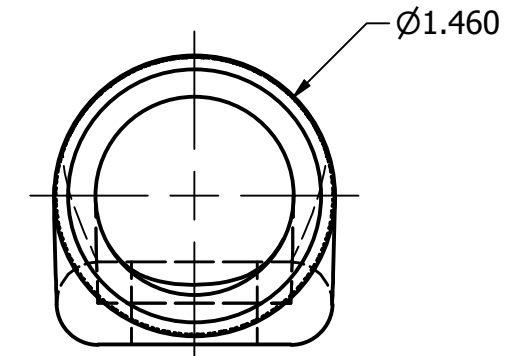
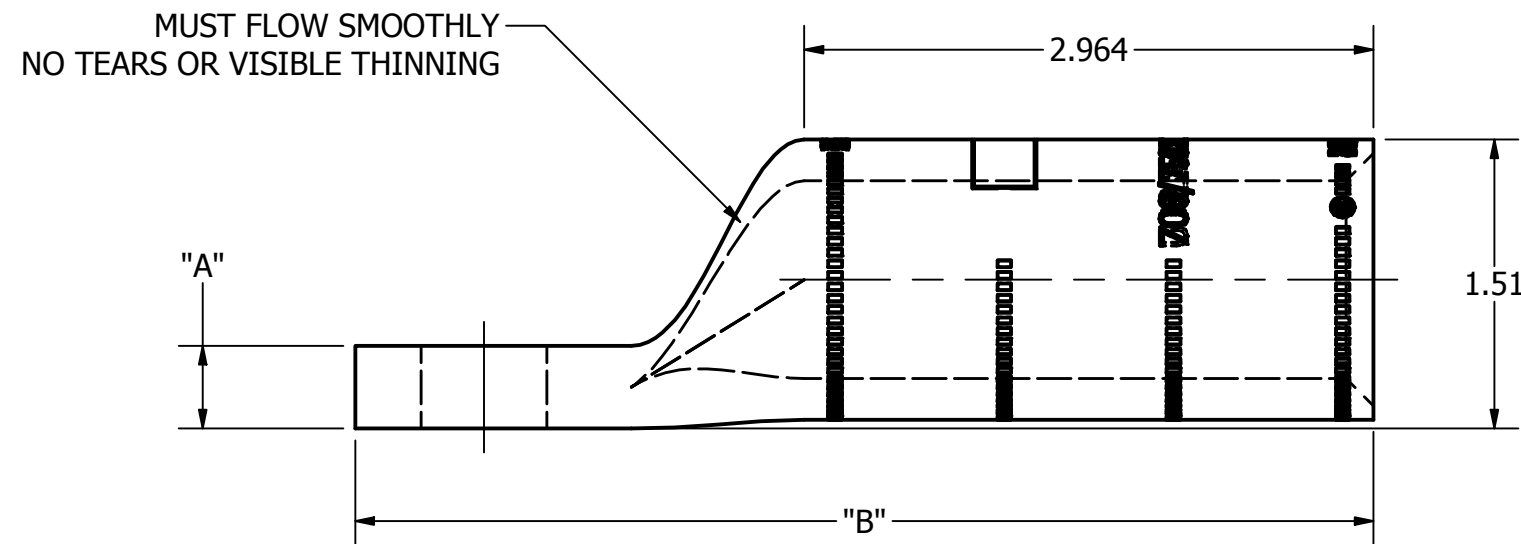
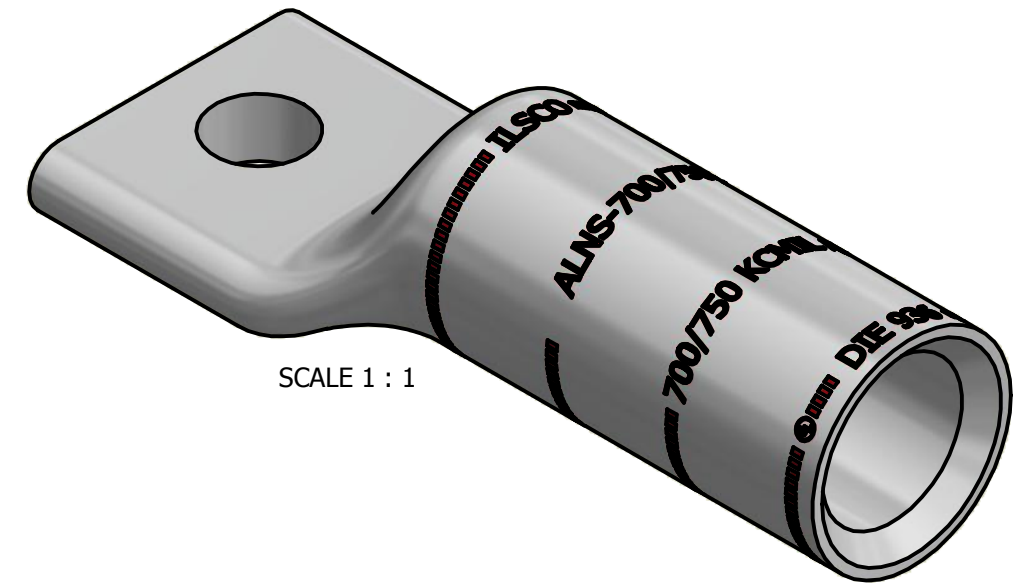
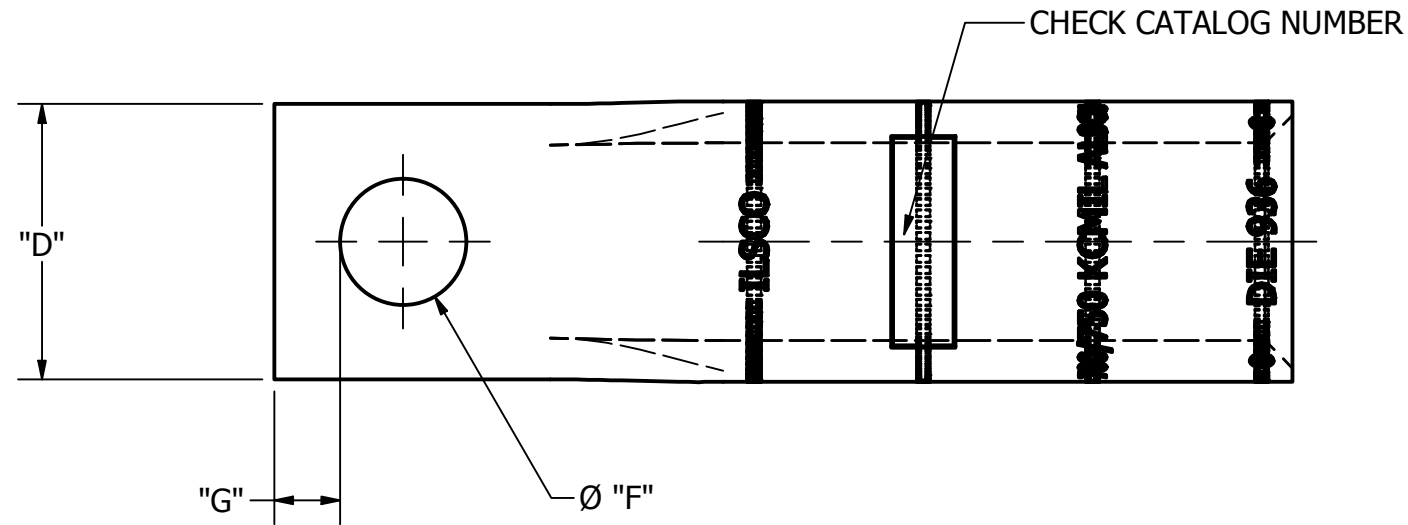
SCREW: NONE
 CAT. NO.: SEE CHART
 INFORMATION SHEET: FORM 196

MATERIAL: ALUMINUM
 PLATING: EL-TIN
 MARKING: NO TANG MARKING

REV: N
 DRAWN BY: MJK SCALE: NTS
 DATE: 5/30/2013 SIZE: B

ILSCO
 connections
 matter
 800-776-9775 www.ilsco.com

DWG NO: YA1903, YAN1903 Single
 SHEET: 1 OF 1



CATALOG NUMBER	"A"	"B"	"D"	"F"	"G"
ALNS-700/750-12	.430	5.325	2.048	0.562	.265
ALNN-700-750-12	.435	5.310	1.430	0.562	.265
ALNS-700/750-58	.430	5.475	2.048	0.656	.343
ALNN-700/750-58	.435	5.480	1.430	0.656	.343