



## Main

Product	Single Throw Safety Switch
Current Rating	400 A
Certifications	UL listed file E2875
Enclosure Rating	NEMA 1 steel
Factory Installed Neutral	None
Disconnect Type	Fusible disconnect
Short Circuit Current Rating	10 KA H or K 200 kA R, J or L
Mounting Type	Surface
Number of Poles	3
Electrical Connection	Lugs
Duty Rating	Heavy duty
Voltage Rating	600 V AC/DC
Wire Size	AWG 1/0...750 kcmil copper or aluminium

## Complementary

Maximum Horse Power Rating	100 Hp 480 V AC 50...60 Hz 3 phase NEC 240.6 250 Hp 480 V AC 50...60 Hz 3 phase NEC 430.52 125 Hp 600 V AC 50...60 Hz 3 phase NEC 240.6 350 Hp 600 V AC 50...60 Hz 3 phase NEC 430.52 50 Hp 250 V DC 50 hp 600 V DC
Maximum Height	50.25 in (1276.35 mm)
Maximum Depth	10.13 in (257.30 mm)
Maximum Width	27.63 in (701.80 mm)
Tightening torque	550 lbf.in (62.14 N.m) AWG 1/0...750 kcmil)

## Ordering and shipping details

Category	00053 - H&HU SW,NEMA1,400-1200A
Discount Schedule	DE1
GTIN	00785901482192
Nbr. of units in pkg.	1
Package weight(Lbs)	168 lb(US) (76.20 kg)
Returnability	Yes
Country of origin	MX

## Packing Units

Unit Type of Package 1	PCE
Package 1 Height	14.02 in (35.6 cm)
Package 1 width	28.50 in (72.4 cm)
Package 1 Length	52.52 in (133.4 cm)

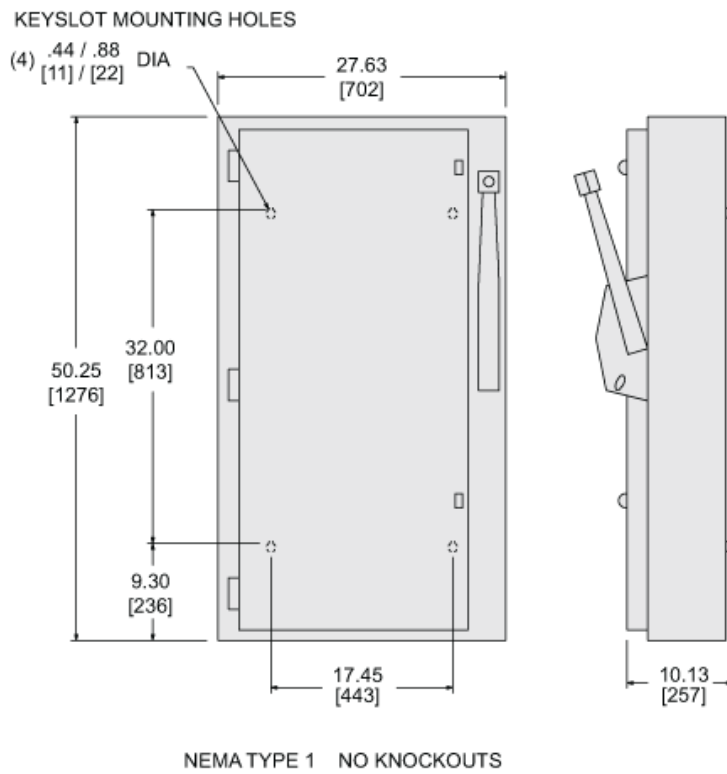
## Offer Sustainability

Sustainable offer status	Green Premium product
REACH Regulation	<a href="#">REACH Declaration</a>
REACH free of SVHC	Yes
EU RoHS Directive	Compliant <a href="#">EU RoHS Declaration</a>
Mercury free	Yes
RoHS exemption information	<a href="#">Yes</a>
China RoHS Regulation	<a href="#">China RoHS Declaration</a>
Environmental Disclosure	<a href="#">Product Environmental Profile</a>
PVC free	Yes
Halogen content performance	Halogen free plastic parts product

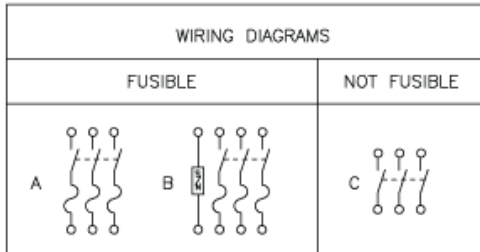
## Contractual warranty

Warranty	18 months
----------	-----------

Approximate Dimensions



Wiring Diagrams



NOTE: FOR SWITCHING DC USE TWO OUTSIDE POLES.

TERMINAL LUGS DATA			
AMPERES	MAX WIRE	MIN WIRE	TYPE
400	(1) 750 KCMIL OR (2) 300 KCMIL	(1) #1/0 AWG OR (2) #1/0 AWG	AL OR CU

CATALOG NUMBER	MAX VOLTAGE RATINGS	WIRING DIAG	HORSEPOWER RATINGS							
			240VAC		480VAC		600VAC		250 VDC	600 VDC
			MAX	STD	MAX	STD	MAX	MAX	MAX	
H365	600VAC:600VDC	A	-	100	250	125	350	50	50	
H365N	600VAC:600VDC	B	-	100	250	125	350	50	50	
HU365	600VAC:600VDC	C	125	-	250	-	350	50	50	