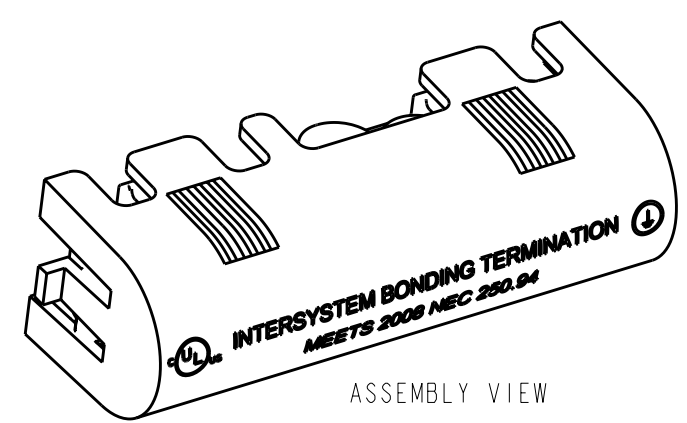
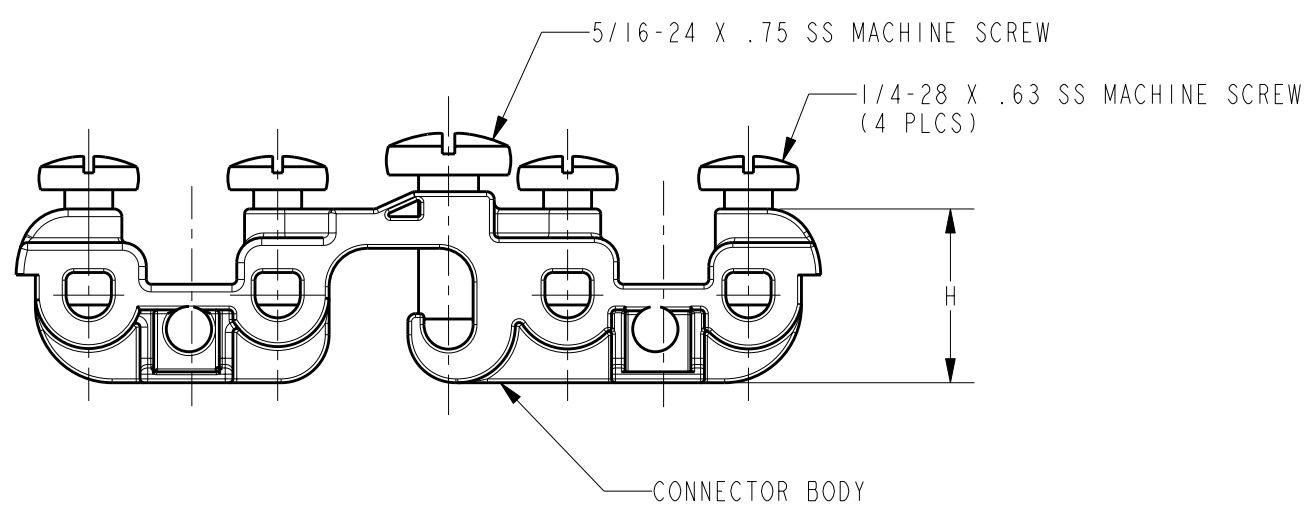
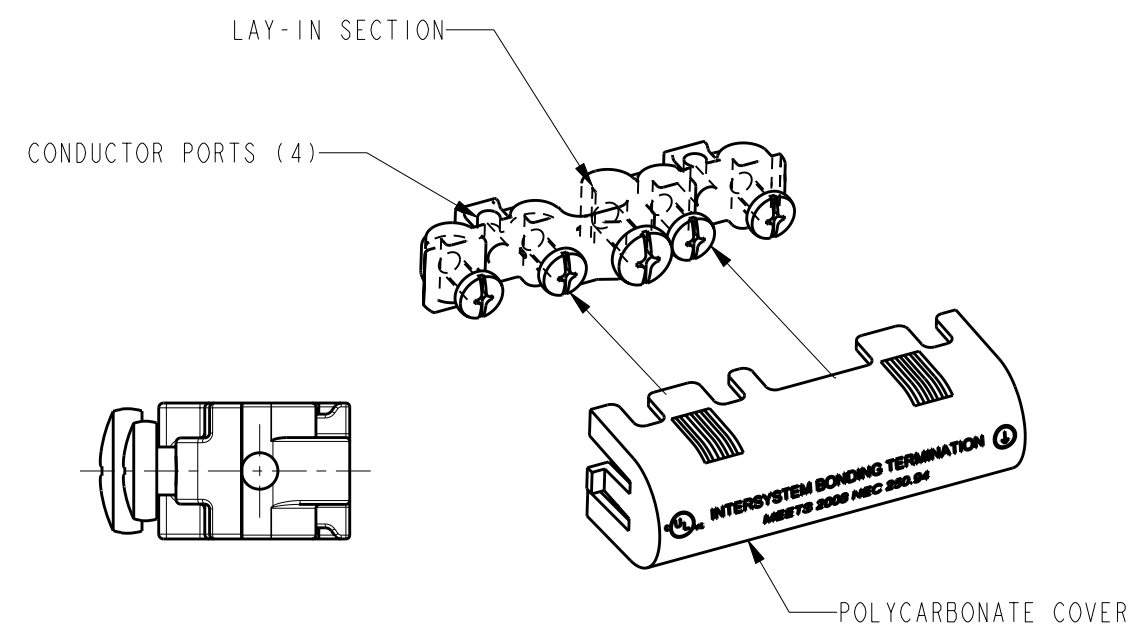
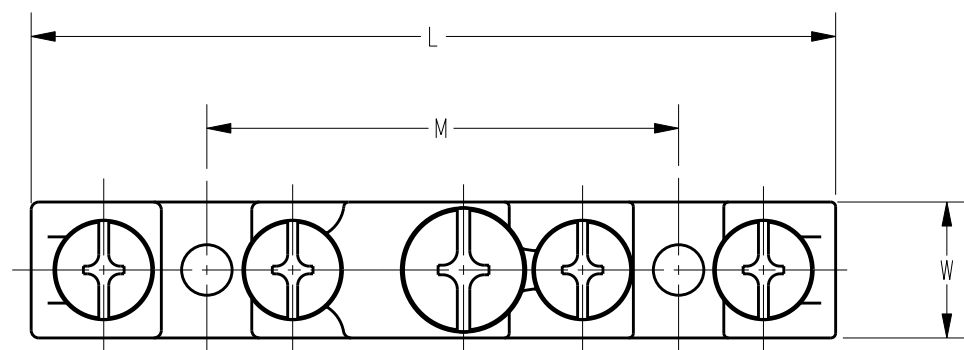


CAT NO.	CONDUCTOR RANGE		REFERENCE DIMENSIONS			
	LAY-IN SECTION	CONDUCTOR PORTS	L	W	H	M
BDTIBB	#6-#2 AWG	#14-#4 AWG	4.01 [102]	.71 [18]	1.00 [25]	2.38 [61]

REV.	DATE	DESCRIPTION	ECO	BY	C'H'K.
C	05/29/2012 07:00:00 AM	UPDATED AS PER VENDOR DRAWING	27585	BT	MA

RECOMMENDED TIGHTENING TORQUE (IN-LB)		
WIRE SIZE	LAY-IN SECTION	CONDUCTOR PORT
#14	-	35
#12	-	35
#10	-	35
#8	-	40
#6	45	45
#4	45	45
#2	50	-



- NOTES:
- MATERIAL:
BODY: ZINC
SCREWS: STAINLESS STEEL
COVER: POLYCARBONATE
 - DIMENSIONS IN BRACKETS [] ARE IN MILLIMETERS, ROUNDED OFF TO THE NEAREST MILLIMETER AND ARE FOR REFERENCE ONLY.
 - UL LISTED TO UL467 (GROUNDING AND BONDING) FOR USA AND CANADA.
 - PACKAGING INCLUDES CONNECTOR, (5) CONDUCTOR SCREWS, AND COVER. MOUNTING HARDWARE NOT INCLUDED.
 - SEE PACKAGING FOR INSTALLATION INSTRUCTIONS.

TO ORDER BURNDY® PRODUCTS CALL		BONDIT WALL MOUNT	
UNITED STATES: 1-800-346-4175 (LONDONDERRY, NH)		ITEM NO: 30001836	
CANADA: 1-800-361-6975 (QUEBEC) 1-800-387-6487 (ALL OTHER PROVINCES)		CAT. NO: BDTIBB	
FOR PRODUCT INFO: http://www.burndy.com		DRAWN BY: N.D.KANNAN 07/02/2010	
		CHECKER: P.WASON	
		DSN APPVL: P.WASON	
		MFG APPVL: P.KENAN	
		QA APPVL: J.BROEUR	
		MKT APPVL: P.THERRIEN	
		PROD FAM: -	
		PROJECT #: EPI3957	
		DOCUMENT TYPE: Sales	
		REL LEVEL: Released	
		SCALE: 1:1	
		DRAWING NO	
		30003958	
		SHEET 1 OF 1	
		REV	
		C	

REV: PE0200