

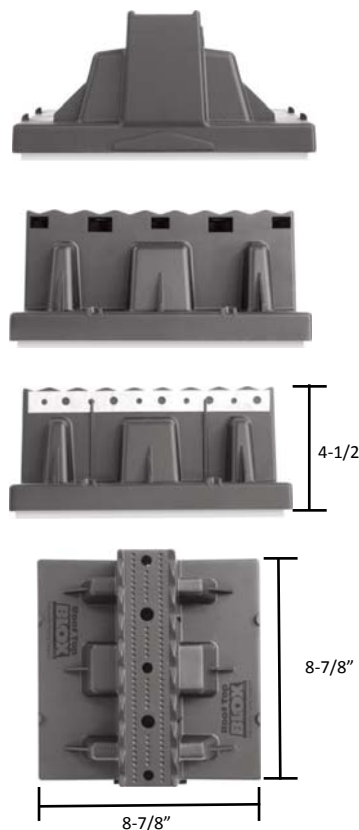
ROOF TOP BLOX SPECIFICATIONS



Recycled
Polypropylene
Copolymer



RTB01: Roof Top Blox Unit



Roof Top Blox Product Specifications

Body Material	Black UV stabilized Polypropylene Copolymer .100" to .135" wall thickness
Base Material	1" thick by 25psi, type 4 closed cell structural foam
Dimensions	8-7/8" square by 4-1/2" high, top accessory adds 1-1/2" to height for 6" height requirements, Blox interlock end to end for wide multi-piping platforms. Weight: 1lb per Blox
Weight	
Load Bearing	Max load per Blox—Single Point Load: 250lbs./113 kg—Dual Point or Strut-Mounted Load: 350lbs./158 kg. Apply STR-04 slotted steel strut channel under heavy loads over 250lbs.
Spacing	Space Blox approximately every 7 feet along all piping.
Pipe Fastening	Screw indents guide fastening screws into special internal engineered thread gripping fastening feature. #10 sheet metal screws recommended. Blox supplied with 3/4" galvanized universal quick clamping strap for up to 2" pipe. Top surface easily adapts to all types of piping clamps, clips, slotted strut and 3/8" or 1/2" threaded rod. All pipe fastening and adjustments done from top side only.
Accessories	1-1/2" Polypropylene top height extender, 10" slotted steel strut, 12" threaded rod, pipe rollers, securing brackets.
Warranty	5 years Roof Top Blox replacement against manufacturer's defect.
Applications	Blox engineered to install on flat roof surfaces for supporting gas, condensate or refrigeration lines, electrical conduits, ductwork or roof top walkways and mechanical equipment. Rated for temperatures up to 200oF/93oC.

Suggested Engineering Specification

Roof top support blocks for gas piping, plumbing, HVAC, conduit, cable tray, and mechanical equipment shall be Roof Top Blox (RTB-01). The support blocks must be designed to eliminate roof penetrations, flashings or damage to roofing membrane. Support body shall be made of recycled UV-resistant Polypropylene Copolymer. Base platform material shall be 1" thick, 25psi, type 4 closed cell structural foam to distribute and evenly cushion loads. Support top surface shall have molded in pipe organizing saddles and strut mounting cradle. The top surface shall also have screw guide indents and engineered internal screw thread gripping feature. Block must accept 3/8" and 1/2" threaded rod (ROD-03) using side entry nut slots to allow fast top side assembly and piping height adjustments. Aluminum rollers (ROL-05 or ROL-06) shall be installed on long piping runs. Securing brackets (SBC-07) and adhesive recommended for permanently securing Blox into its final installed position, anchoring against wind, rain and snow loads.

Products Available

RTB01: Roof Top Blox

(Includes clamping strap) bundled in 8-pack totes



XTB02: 1.5" Blox Height Extension

Fastens directly on top of Blox with #10 screws provided or elevated with extension rods

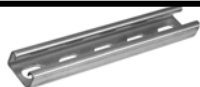


ROD03: 12" Extension Rods

(2) 1/2" threaded rods, (8) nuts, (4) washers zinc plated



STR04: 10" Galvanized Slotted Steel Strut Channel



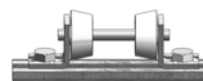
ROL05: Small Pipe Roller

(aluminum) Supports 1" to 3" pipe



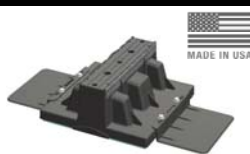
ROL06: Large Pipe Roller

(aluminum) Supports 4" to 6" pipe (includes strut & mounting screws)



SCB07: Securing Brackets

(polycarbonate)
(2) brackets secure Blox directly to roof with adhesive. Use brackets for wind, water, and snow load conditions. (Blox not included)



XTB02

