



ADVANCED SERIES

PRO 750®

Submittal Sheet

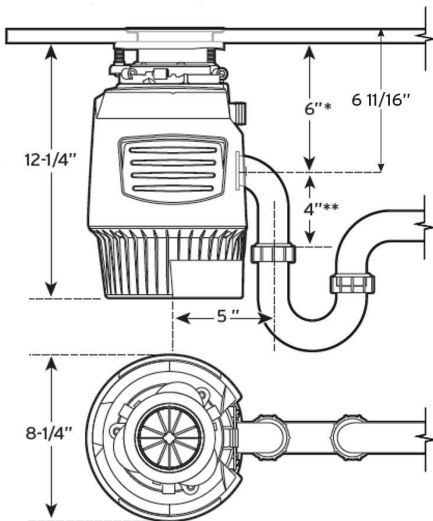
This model offers the following features and benefits:

- **3/4 HP long-lasting, Dura-Drive® Induction motor**
- **Quiet SoundSeal Technology®** delivers quiet disposal operation
- **Advanced Grind** for tough and fibrous food scraps
- **3-Stage MultiGrind® Technology:** Finest grind designed to prevent clogs
- **EZ Connect Disposal** easily connects to a hardwire connection or outlet
- **Removable, Dishwasher Safe, Antimicrobial Quiet Collar® Sink Baffle**
- Safe for use with properly maintained septic tanks
- **Units Available:** PRO 750® with EZ Connect Adapter or PRO 750® with EZ Connect Cord

Specifications

Type of Feed	Continuous
On/Off Control	Wall Switch
Motor	Single Phase
HP	3/4
Volts	120
HZ	60
RPM	1725
Amp. (Avg. Load)	9.5
Time Rating	Intermittent
Lubrication	Permanently Lubricated Upper & Lower Bearings
Shipping Weight (Approx.)	18.4, 18.6
Overall Height	12.25
Motor Protection	Automatic Reset
Average Water Usage	Approx. 1 Gallon per Person Per Day
Average Electrical Usage	3-4 KWh per Year
Drain Connection	1-1/2" cushioned slip joint
Dishwasher Drain Connection	Yes

Dimensions



Sample Specification

Food Waste Disposer(s) shall be InSinkErator PRO 750®, continuous feed, with 3/4 HP. motor, stainless steel grinding elements with two stainless steel 360° swivel lugs. Exclusive self-service wrench.

Warranty

10-Year *We Come to You®* Limited In Home Warranty

* The complete InSinkErator warranty is included in the Care & Use Booklet packed with each unit.



Food waste is roughly 80% water. By using your disposal regularly, you can help divert food waste from landfills and reduce greenhouse gas emissions. Make sustainability a family affair by using your disposal. After all, the smallest changes can make the biggest impact.

Job Specifications



1-800-558-5700
www.insinkerator.com