

Twist-N-Loc® Basket Strainer

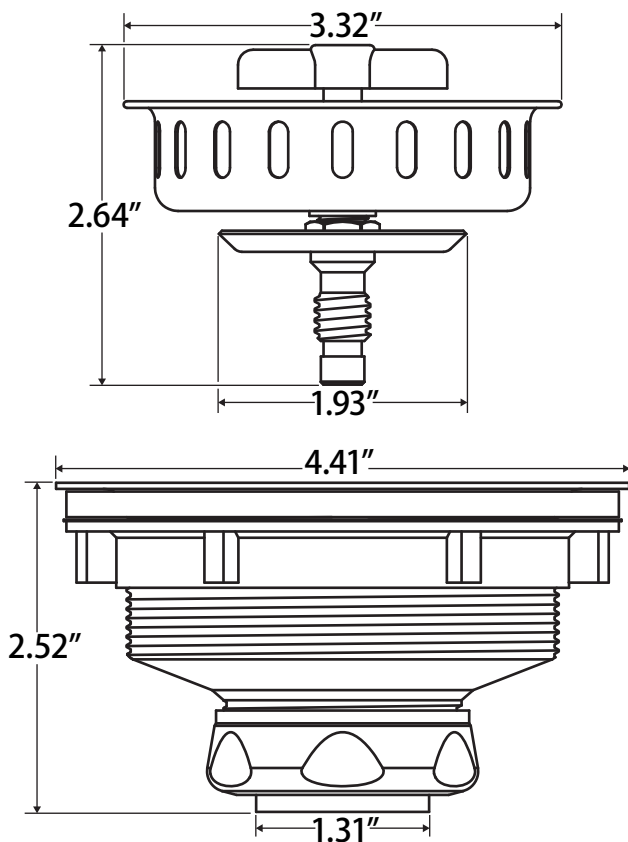
Chrome Plated Brass or 300 Grade Brushed Stainless Steel Sink Strainer



SS-304

Manufactured with the highest quality materials, the Twist-N-Loc® creates a positive metal-to-metal leak-proof seal with a simple twist. The Twist-N-Loc® starts with a high quality brass body, hand knob, and post. Every Twist-N-Loc® comes standard with a high quality stainless steel basket and a brass tail nut. To satisfy every application need, this contractor favorite is offered in chrome plated brass or brushed stainless steel finishes.

Fits sinks which have a thickness between 1/16" and 3/4"



No.	Materials		
	300-001	300-003	300-023CLAM*
1	Handle		
2	Strainer Basket		
3	Body		
4	Rubber Washer		
5	Lock Nut		
6	Seal Ring		
7	Tail Nut		

*Sold in a clamshell package shown above
Note: All models include friction ring