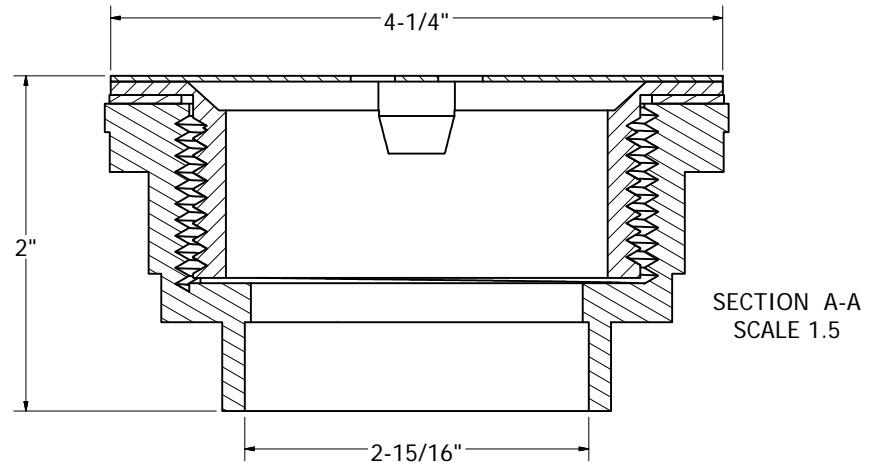
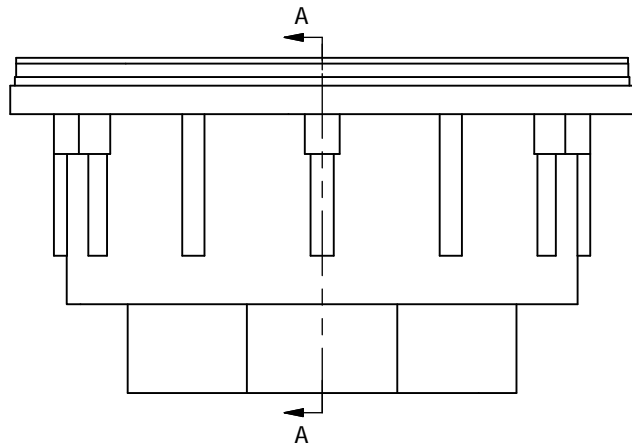
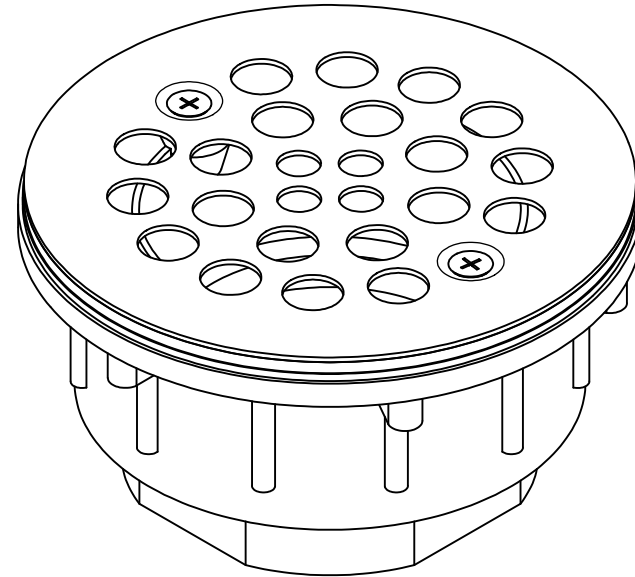
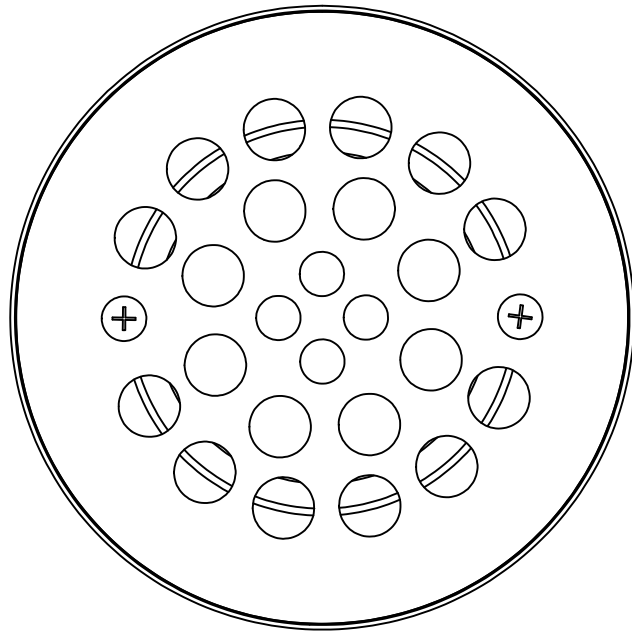


SHOWER STALL DRAINS WITH RECEPTOR BASE FITS OVER 2" SCHEDULE 40 DWV PIPE



MADE IN THE
USA



PHONE NUMBER
1-800-355-6637
FAX NUMBER
1-800-462-6991
SCALE
1.5 : 1
DATE
9-23-11
SHEET
1 OF 1
DRAWN BY
ASHLEY KRALOVEC

PART NO.	D41001	D41301	D41002	D41302	D41003	D41303	D41004
STRAINER	SS	SS	PB	PB	AB	AB	SN
MATERIAL	PVC	ABS	PVC	ABS	PVC	ABS	PVC