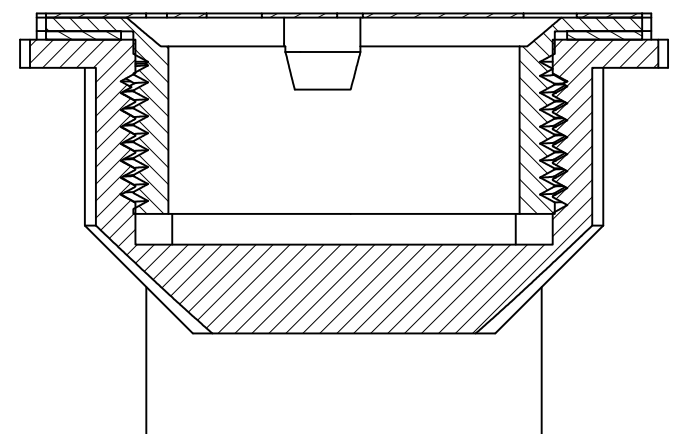
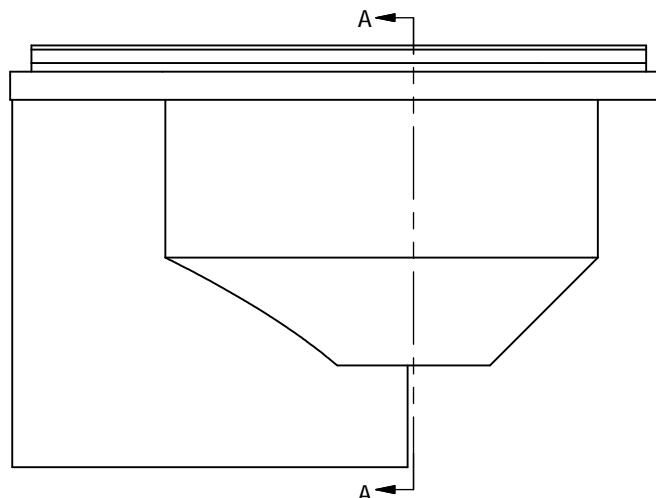
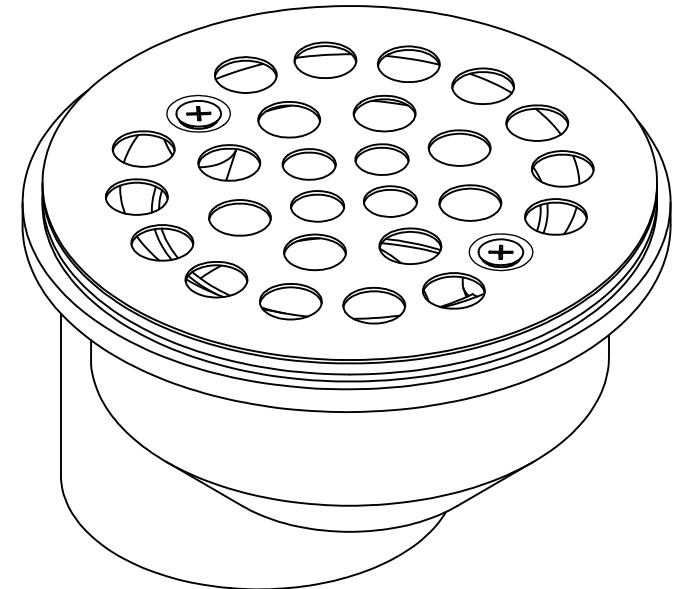
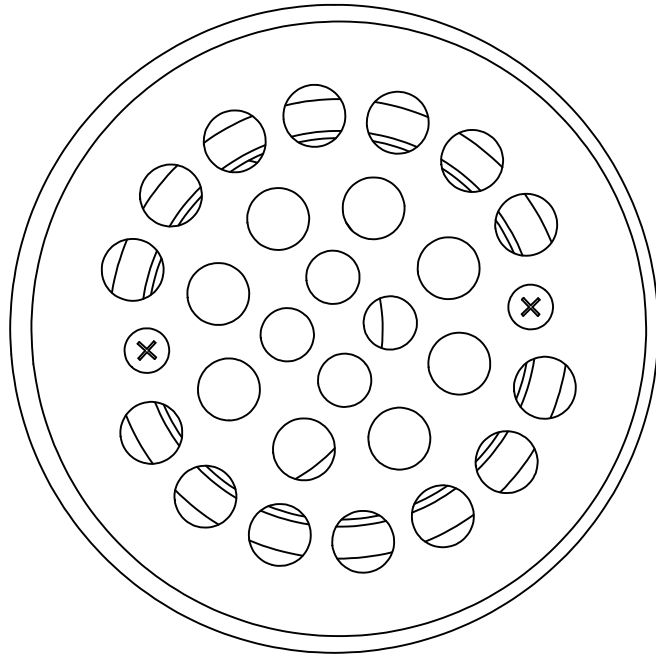


SHOWER STALL DRAINS WITH RECEPTO BASE FITS OVER 2" SCHEDULE 40 DWV PIPE



PHONE NUMBER
1-800-355-6637
FAX NUMBER
1-800-462-6991
SCALE 1.5 : 1 DATE 9-09-11
SHEET 1 OF 1
DRAWN BY
ASHLEY KRALOVEC

PART NO.	D41600	D41601	SCALE 1.5		
STRAINER	2" OFFSET WITH SS STRAINER	2" OFFSET WITH SS STRAINER			
MATERIAL	PVC	ABS			