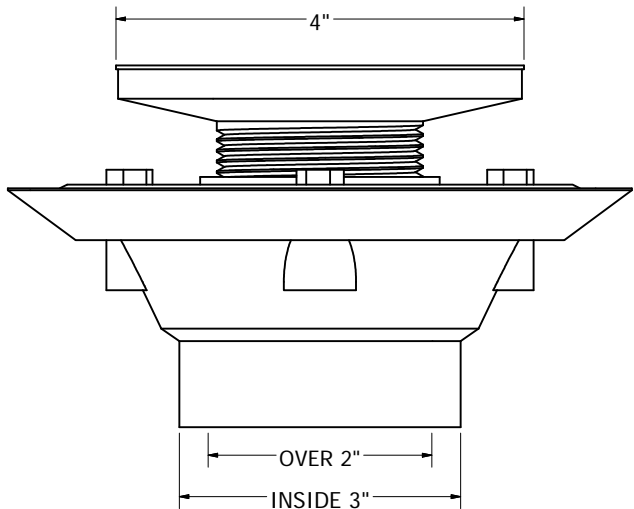
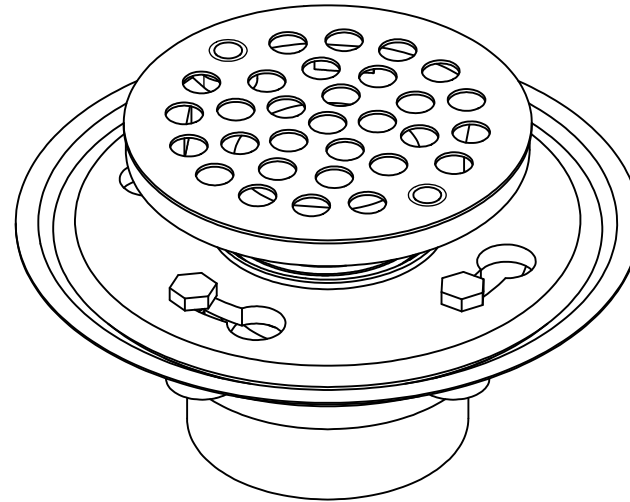
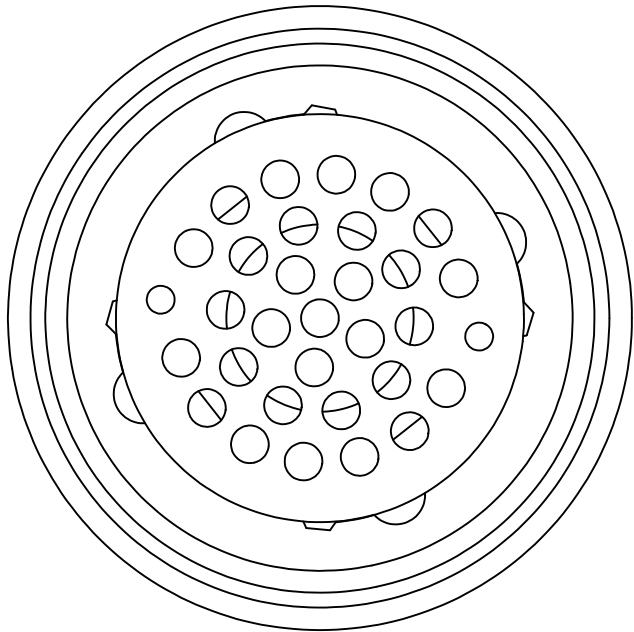


PVC SHOWER/FLOOR DRAINS FITS OVER 2" OR INSIDE 3" SCHEDULE 40 DWV PIPE



- LOW PROFILE FOR FIRST AND SECOND FLOOR INSTALLATIONS
- BEXELED EDGE ALLOWS FOR RECESSED INSTALLATION
- REVERSIBLE CLAMPING RING FOR ADDITIONAL 1/2" HEIGHT ADJUSTMENT
- BRASS INSERTS ENSURE SECURE CLAMPING OF MEMBRANCE
- DAUL WEEPS HOLES
- RECESSED SUMP AREA FOR ADDED DRAINAGE
- D50001 UPC LISTED

MADE IN THE
USA



PHONE NUMBER
1-800-355-6637
FAX NUMBER
1-800-462-6991
SCALE 1 : 1 DATE 01-18-13
SHEET 1 OF 1
DRAWN BY
ASHLEY KRALOVEC

PART NO.	D50001	D50002			
STRAINER	4" SS	4" PB			
REPL. STRAINER	C60809	C60810			