

## Features

- 4" (102 mm) centerset faucet holes.
- Oval basin.
- Overflow drain.

## Material

- Vitreous china.

## Installation

- Drop-in.

## Recommended Products/Accessories

- K-8998 P-Trap
- K-23726 Drain treatment
- K-23725 Cast iron cleaner



**ADA** **CSA B651** **OBC**

## Codes/Standards






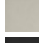
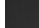
ASME A112.19.2/CSA B45.1  
ADA  
ICC/ANSI A117.1  
CSA B651  
OBC

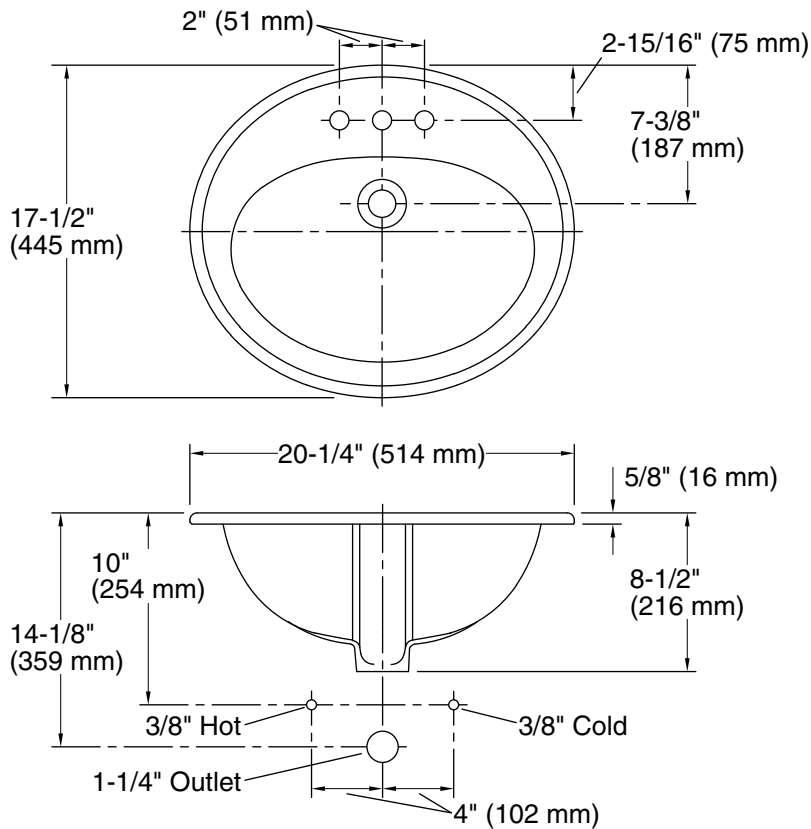
## KOHLER® One-Year Limited Warranty

See website for detailed warranty information.

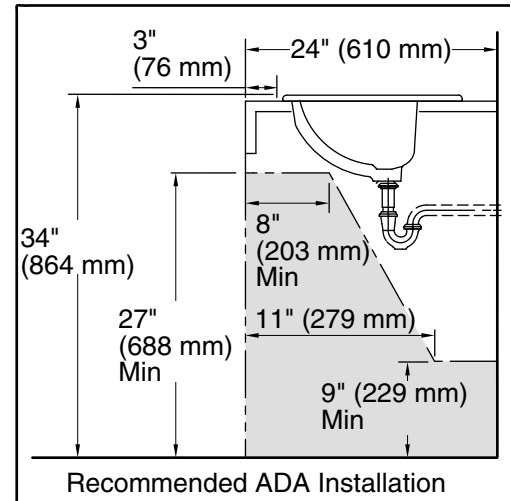
## Available Colors/Finishes

*Color tiles intended for reference only.*

Color	Code	Description
	0	White
	96	Biscuit
	47	Almond
	NY	Dune
	95	Ice™ Grey
	G9	Sandbar
	7	Black Black™



Standard Installation



Recommended ADA Installation

## Technical Information

All product dimensions are nominal.

Bowl configuration:	Single
Installation:	Drop-in
Bowl area (Only):	Length: 16" (406 mm) Width: 11" (279 mm) Water depth: 4" (102 mm)
Number of deck holes:	3
Faucet hole spacing:	4" (102 mm)
Faucet hole(s):	1-1/4" (32 mm)
Drain hole:	1-3/4" (44 mm)
Template:	1002970-7, required, included

## Notes

Install this product according to the installation instructions.

**NOTICE:** Countertop manufacturer or cutter must use the cut-out template provided with the product, or a current one provided by Kohler Co. (call 1-800-4-KOHLER). Kohler Co. is not responsible for cutout errors when the incorrect cut-out template is used.

ADA, OBC, CSA B651 compliant when installed to the specific requirements of these regulations.