

# SUBMITTAL SHEET

JOB NAME \_\_\_\_\_ ITEM TAG \_\_\_\_\_

JOB LOCATION \_\_\_\_\_ PART NUMBER \_\_\_\_\_

CONTRACTOR \_\_\_\_\_ DATE \_\_\_\_\_

ENGINEER APPROVAL \_\_\_\_\_ DATE \_\_\_\_\_

## LEAD-FREE FULL PORT BALL VALVE

### T/S-1001NL and T-1001LDNL

Lead-free design is suitable for all no-lead potable water installations, in full compliance of all lead-free plumbing laws.

Bottom-loaded blowout-proof stem.

Maintenance-free dual O-ring stem seal.

Improved Dyneon\* TFM PTFE seats.

Available in female pipe threaded sizes 1/8" - 4" and female sweat tubing sizes 1/2" - 4".

Pre-installed locking device option is available on 1/2" to 2" FNPT sizes.

#### Working Pressure, Non Shock (PSI)

Cold working pressure (CWP): 1/8" - 2" 600 p.s.i.

2-1/2" - 4" 400 p.s.i.

Saturated Steam: 150 p.s.i.

- Third-party tested and certified in compliance with U.S. Federal Public Law 111-380 (National lead-free plumbing law).

- NSF certified to NSF/ANSI Standard 61, including NSF/ANSI 372, conforming to lead content requirements for lead-free plumbing.

- Conforms to MSS SP-110

- End connections comply with:

ANSI/ASME B1.20.1 (FNPT)

ANSI/ASME B16.18 (CTS solder)

- Manufactured in an ISO accredited facility.



**Pictured Model T-1001NL**



**Pictured Model T-1001LD**

- CSA Certified for use with natural, manufactured, mixed, liquid, petroleum and LP gas/air mixtures.

- ANSI Standard Z21.15 for use as a gas appliance connector valve for 1/2-lb systems (1/2" - 3").

- CSA Certified 3-88 for use in 2 or 5 lb house piping systems (1/4" & 1/2" - 2").

- ANSI / ASME B16.33 for use in gas piping systems up to 125 psig (1/2" - 1").

- Factory Mutual approved for fire protection service (1/2" - 2").



#### CERTIFIED MATERIAL SPECIFICATION

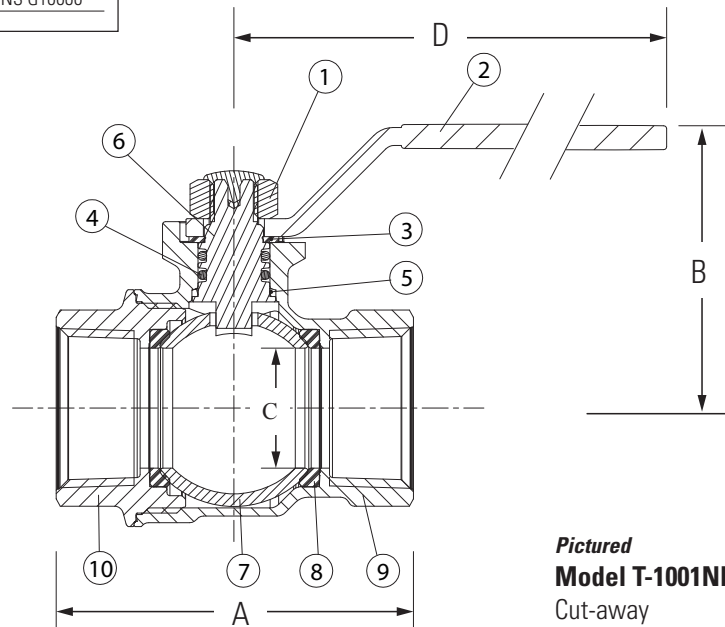
PART	MATERIAL	SPECIFICATION
1 Handwheel nut	Dacromet coated steel, tamper-evident	ASTM A510 UNS G10060
2 Handle	Dacromet coated steel	ASTM A510 UNS G10060
3 Anti-Friction Washer	TFM PTFE	Dyneon*
4 Stem O-rings (2)	Fluorocarbon	Viton**
5 Thrust Washer	TFM PTFE	Dyneon*
6 Stem	Lead-free forged brass	CW510L UNS C28500
7 Ball	Lead-free forged brass	CW510L UNS C28500
8 Seats (2)	TFM PTFE	Dyneon*
9 Body	Lead-free forged brass	CW510L UNS C28500
10 End Adapter	Lead-free forged brass	CW510L UNS C28500
11 Locking Device (Not shown)	Dacromet coated steel	ASTM A510 UNS G10060

\*Dyneon TFM is a registered trademark of the 3M company.

\*\*Viton is a registered trademark of DuPont.

#### DIMENSIONS

Size	A (IPS)	A (CXC)	B	C	D	CV**
1/8"	1.54		1.02	0.31	1.66	5.00
1/4"	1.62		1.02	0.31	1.66	7.62
3/8"	1.77		1.28	0.39	3.01	7.74
1/2"	2.08	2.32	1.46	0.59	3.01	14.68
3/4"	2.36	3.15	1.89	0.79	3.70	28.43
1"	2.91	3.82	2.05	1.00	3.70	55.04
1"-1/4"	3.30	4.31	2.24	1.26	3.70	113.24
1"-1/2"	3.74	5.00	2.75	1.57	5.33	161.77
2"	4.25	6.10	3.07	1.97	5.33	243.81
2"-1/2"	5.75	7.00	4.01	2.28	6.81	277.32
3"	6.30	8.03	4.33	2.68	6.81	310.83
4"	8.15	7.19	5.12	3.50	7.32	532.68



**Pictured Model T-1001NL Cut-away**