

JOB NAME \_\_\_\_\_ ITEM TAG \_\_\_\_\_

JOB LOCATION \_\_\_\_\_ PART NUMBER \_\_\_\_\_

CONTRACTOR \_\_\_\_\_ DATE \_\_\_\_\_

ENGINEER APPROVAL \_\_\_\_\_ DATE \_\_\_\_\_

## LEAD-FREE DZR FORGED BRASS PEX BALL VALVE

### T-1960NL

Lead-free design is suitable for all no-lead potable water installations, in full compliance of all lead-free plumbing laws.

Dezincification-resistant (DZR) forged brass resists corrosion from exposure to a wide variety of water conditions.

Bottom-loaded, maintenance-free blowout-proof stem features a dual-O-ring design, assuring positive sealing under low and high temperatures and pressures.

Self-cleaning chrome-plated ball resists mineral build-up and scaling.

The drop-ear-drainable configuration, when properly fastened to supports, drastically reduces tubing stress by dispersing the operational twisting force through the valve's body, verses the tubing connections.

MNPT configuration permits simple, convenient transitioning from pipe to PEX tubing.

PEX end connections are ASTM F1960 compliant and specifically designed for the cold expansion connection method, using a PEX reinforcing ring.

Available in nominal PEX sizes 1/2" to 2" and nominal pipe sizes 1/2" to 1" (MNPT configuration)

#### Working Pressure, Non Shock (PSI)

Cold Working Pressure (CWP): 400 p.s.i.\*

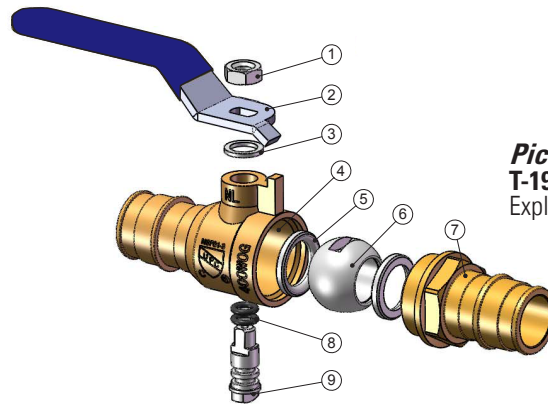
**\*Caution!** Exceeds the pressure rating of PEX tubing.

Saturated Steam (WSP): Not suitable for steam applications

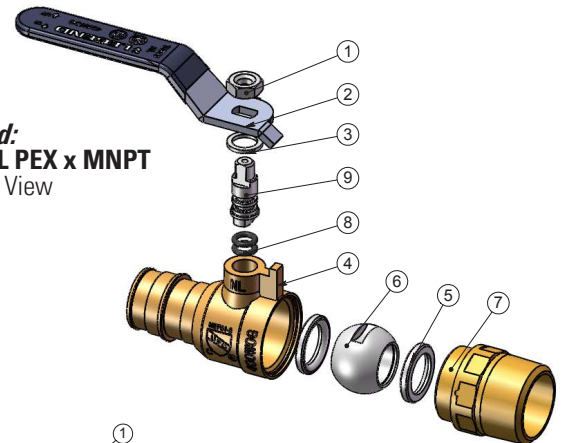
- Third-party tested and certified in compliance with U.S. Federal Public Law 111-380 (National lead-free plumbing law).
- UPC / IAPMO certified to ANSI / NSF Standard 61-G and ANSI / NSF Standard 14.
- End connections comply with ASTM F1960 and ANSI/ ASME B1.20.1
- Manufactured in an ISO accredited facility.



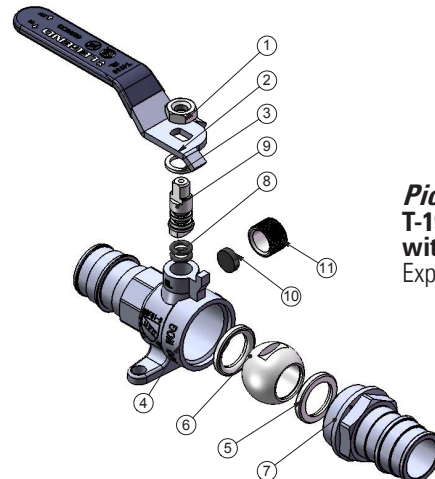
**Pictured:**  
T-1960NL



**Pictured:**  
T-1960NL PEX x PEX  
Exploded View



**Pictured:**  
T-1960NL PEX x MNPT  
Exploded View



**Pictured:**  
T-1960NL Drop-Ear  
with Waste  
Exploded View

MATERIAL SPECIFICATION		
PART	MATERIAL	SPECIFICATION
1	Handle nut	Zinc plated steel ASME SA6, SA283 Grade C
2	Lever handle	Zinc plated steel ASME SA6, SA283 Grade C
3	Anti-friction washer	PTFE FR101 resin
4	Body	DZR lead-free forged brass UNS Alloy C46500
5	Seats (2)	PTFE FR101 resin
6	Ball	DZR, chrome-plated, lead-free forged brass or stainless steel 1/2" to 1-1/2": UNS Alloy C46500 2": AISI 304 SS
7	End adapter	DZR lead-free forged brass UNS Alloy C46500
8	Stem O-rings (2)	EPDM rubber Commercial grade
9	Stem	DZR lead-free forged brass 1/2" to 1-1/2": UNS Alloy C46500 2": UNS Alloy C36000
10	Waste cap gasket*	NBR rubber Commercial grade
11	Waste cap*	Brass ASTM B16 UNS C36000

\*Drop-ear with waste configuration only..

## SUBMITTAL SHEET

JOB NAME		ITEM TAG	
JOB LOCATION		PART NUMBER	
CONTRACTOR	DATE		
ENGINEER APPROVAL	DATE		

DIMENSIONS										
Size	A (PEX x PEX)	A (PEX x MNPT)	A ( PEX x PEX drop-ear w/ waste)	B	C	D	E*	F*	G*	
1/2"	2.72	2.54	2.82	1.50	0.39	2.95	0.94	0.21	1.48	
3/4"	3.33	2.91	3.48	1.58	0.53	3.17	1.02	0.21	1.65	
1"	4.09	3.60	4.25	1.97	0.75	4.17	1.17	0.21	1.93	
1-1/4"	4.59			2.16	0.91	5.12				
1-1/2"	5.26			2.21	0.98	5.12				
2"	6.58			2.49	1.34	5.12				

\*Applicable to the drop-ear configuration only.

