

**SUBMITTAL SHEET**

JOB NAME \_\_\_\_\_ ITEM TAG \_\_\_\_\_

JOB LOCATION \_\_\_\_\_ PART NUMBER \_\_\_\_\_

CONTRACTOR \_\_\_\_\_ DATE \_\_\_\_\_

ENGINEER APPROVAL \_\_\_\_\_ DATE \_\_\_\_\_

**LEAD-FREE RING COMPRESSION X MIP COUPLING**

**T-4350NL**

Lead-free design is suitable for all no-lead potable water installations, in full compliance of the lead-free plumbing law.

Grip-ring compression end connections provide exceptional pullout resistance.

For underground water service installations only.

Available in CTS nominal sizes 3/4" through 2".

**Working Pressure, Non Shock (PSI)**

3/4" - 1", 100 psi - 100°F Max

1 1/4" - 2", 80 psi - 100°F Max

- Third-party tested and certified in compliance with U.S. Federal Public Law 111-380 (National lead-free plumbing law).
- Certified lead-free and in compliance with NSF 372 lead content requirements.
- Manufactured to AWWA C800 specifications.
- Ring-compression end connections are designed to be installed onto the following tubing types:
  1. Types K or L copper water tubing compliant with ASTM B88.
  2. Polyethylene plastic tubing compliant with ASTM D2737 SDR 9 (insert stiffener required).



**Pictured:**  
T-4350NL

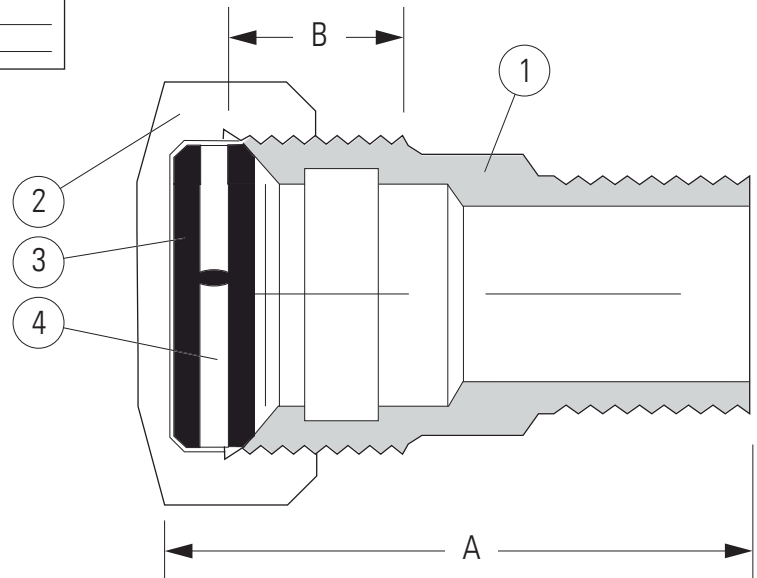
**MATERIAL SPECIFICATION**

PART	MATERIAL	SPECIFICATION
1 Body	Lead-free cast bronze	ASTM B584 - UNS C89836
2 Compression nut	Cast bronze	ASTM B62 UNS C83600
3 Gasket	Buna-N (NBR) nitrilic rubber	Commercial grade
4 Gripper ring	Stainless steel	AISI Grade 304



**DIMENSIONS**

Size	A	B
3/4"	2.72	0.44
3/4" x 1"	2.72	0.62
1"	2.84	0.47
1" X 3/4"	2.89	0.49
1-1/4"	3.39	0.81
1-1/2"	3.23	0.53
2"	4.00	0.82



**Pictured:**  
T-4350NL  
Cut-away