

# TECHNICAL SPECIFICATIONS

## S-48

**MODEL NUMBER 141027**

DIMENSIONS: 48" x 36" x 75" Gelcoat



### STANDARD FEATURES

- One-piece gelcoated fiberglass shower with optional roofcap
- Built-in corner shelves
- Twin seats
- Center drain
- Textured floor

### UNIQUE FEATURES

- None

### OPTIONS

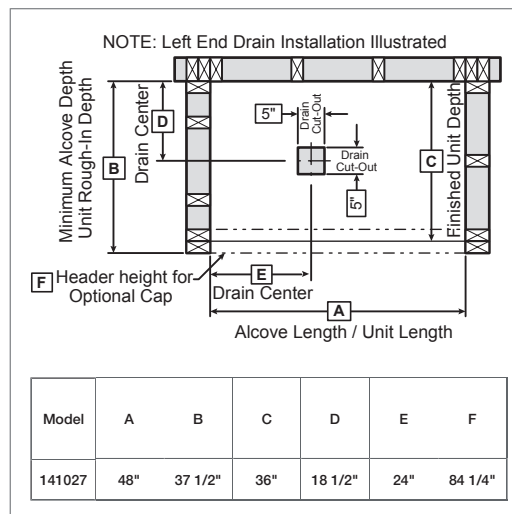
- Gelcoated fiberglass cap
- Light for roofcap (factory-drilled hole)

### SYSTEMS

- None

### DOOR SELECTION

Combine with AKER's complete shower door offering visit [www.akerbymaax.com](http://www.akerbymaax.com)



Project : .....

Contractor : .....

AKER Representative : ..... Tel : .....

Date : .....

### CERTIFICATIONS

AKER products adhere to one or more of the following certifications:

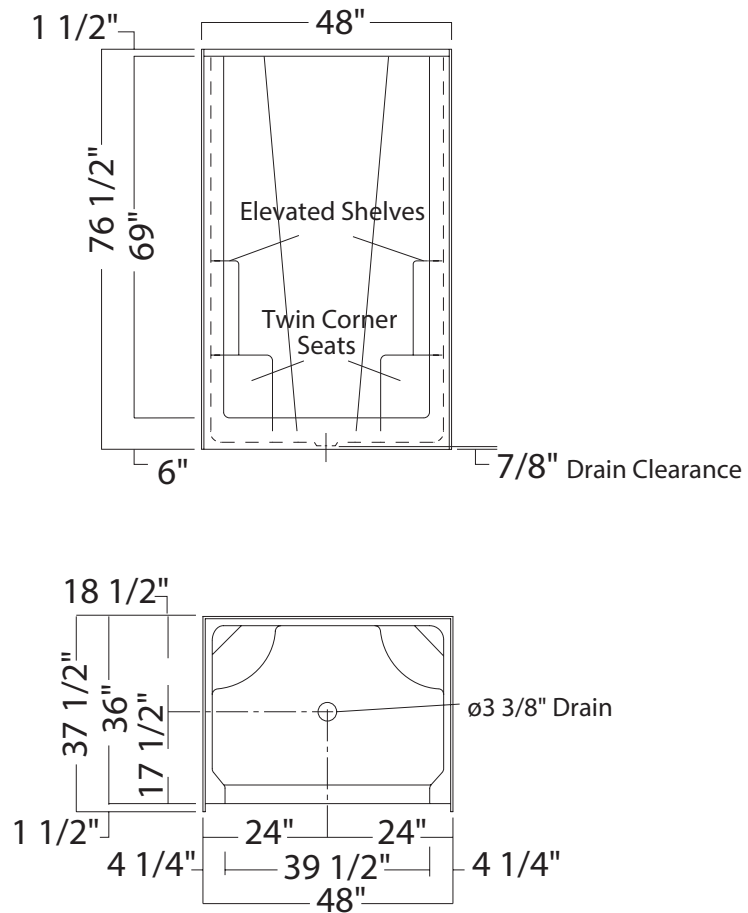


# TECHNICAL SPECIFICATIONS

## S-48

MODEL NUMBER 141027

### TECHNICAL DRAWINGS



All dimensions are approximate. Structure measurements must be verified against the unit to ensure proper fit.