

TECHNICAL SPECIFICATIONS

SHLS/RS-48

MODEL NUMBER 141033

DIMENSIONS: 48 1/4" x 36" x 76 1/2" Gelcoat



STANDARD FEATURES

- One-piece gelcoated fiberglass shower with optional roofcap
- Two-level built-in corner shelves
- Right or left-hand seat
- Center drain
- Textured floor
- Optional unique feature: Above-the-Floor Rough

UNIQUE FEATURES

- Above-the-Floor Rough (AFR)

OPTIONS

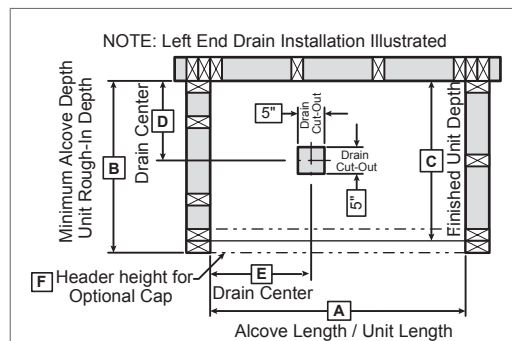
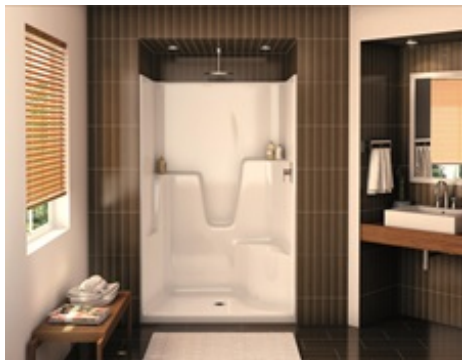
- Gelcoated fiberglass cap
- Light for roofcap (factory-drilled hole)

SYSTEMS

- None

DOOR SELECTION

Combine with AKER's complete shower door offering visit www.akerbymax.com



Model	A	B	C	D	E	F
141033	48 1/4"	37 1/2"	36"	18 1/2"	24 1/8"	88 3/4"

CERTIFICATIONS

AKER products adhere to one or more of the following certifications:



Project :

Contractor :

AKER Representative : Tel :

Date :

TECHNICAL SPECIFICATIONS

SHLS/RS-48

MODEL NUMBER 141033

TECHNICAL DRAWINGS

