

TECHNICAL SPECIFICATIONS

SH-NA

MODEL NUMBER 141038

DIMENSIONS: 37 3/4" x 37 3/4" x 78" Gelcoat



STANDARD FEATURES

- One-piece neo-angle corner shower
- Three-level built-in corner shelves
- Back center drain
- Textured floor
- Optional unique feature : Above-the-Floor Rough

UNIQUE FEATURES

- Above-the-Floor Rough (AFR)

OPTIONS

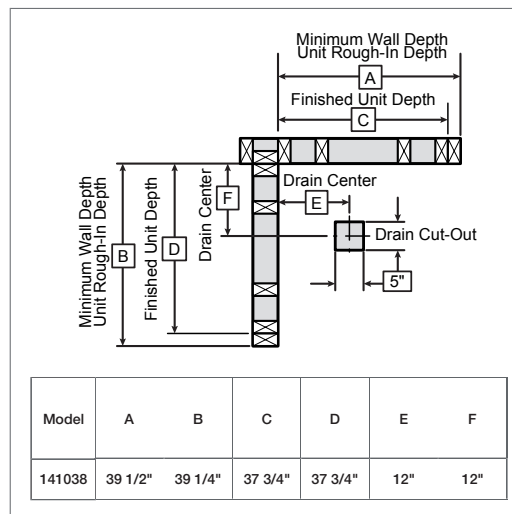
- None

SYSTEMS

- None

DOOR SELECTION

Combine with AKER's complete shower door offering visit www.akerbymax.com



Project :

Contractor :

AKER Representative : Tel :

Date :

CERTIFICATIONS

AKER products adhere to one or more of the following certifications:



TECHNICAL SPECIFICATIONS

SH-NA

MODEL NUMBER 141038

TECHNICAL DRAWINGS

