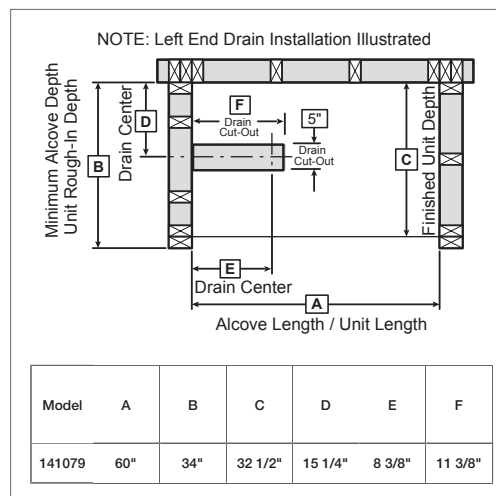


TECHNICAL SPECIFICATIONS

SBA-3260

MODEL NUMBER 141079

DIMENSIONS: 60" x 32 1/2" x 21 1/4" Gelcoat



STANDARD FEATURES

- Deep and spacious bathing well
- Integrated apron & tiling flange
- Deck for faucet
- Armrests
- 20 1/2 inch deep sump
- Bottom bathing well: 45 inch L x 21 inch W
- Textured floor
- Right or left drain
- Alcove installation

UNIQUE FEATURES

- Tiling Flange

OPTIONS

- In-line heater (factory-installed)
- Pump position opposite standard position
- Ozonator for whirlpool system
- Trim Kit for Bodywrap Whirlpool System

SYSTEMS

- Homestead Bodywrap

DOOR SELECTION

Combine with AKER's complete shower door offering visit www.akerbymax.com

CERTIFICATIONS

AKER products adhere to one or more of the following certifications:



Project :

Contractor :

AKER Representative : Tel :

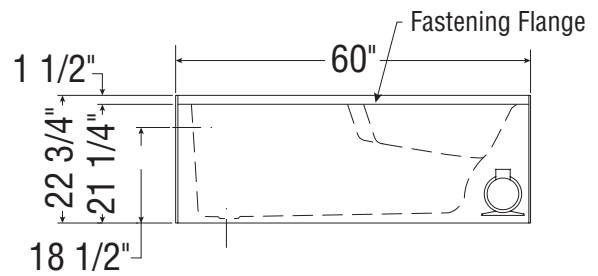
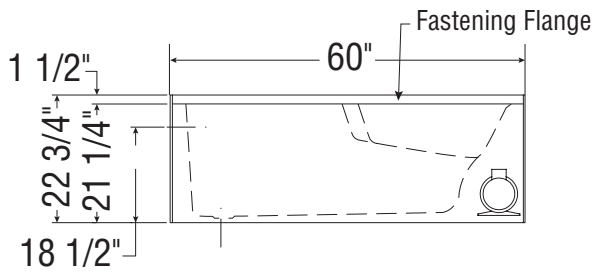
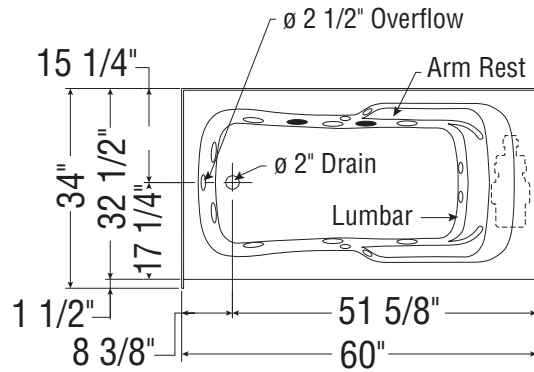
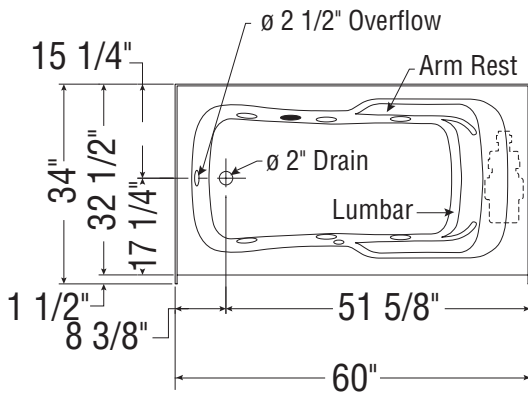
Date :

TECHNICAL SPECIFICATIONS

SBA-3260

MODEL NUMBER 141079

TECHNICAL DRAWINGS



6-jet Homestead Collection SBA-3260L
HMS (illustrated)

10-jet Bodywrap Collection SBA-3260L
BWS (illustrated)