

TECHNICAL SPECIFICATIONS

GT-4260

MODEL NUMBER 141082

DIMENSIONS: 60" x 40 1/2" x 23 1/4" Gelcoat



STANDARD FEATURES

- 5 1/2 inch wrap around backsplash
- Integrated apron & tiling flange
- Deck for faucet
- 15 3/4 inch deep sump
- Bottom bathing well : 41 1/2 inch L x 24 inch W
- 2 inch Above-The-Floor rough available
- Right, left or center drain
- Textured floor
- Alcove installation

UNIQUE FEATURES

- Above-the-Floor Rough (AFR)
- Tiling Flange

OPTIONS

- In-line heater (factory-installed)
- Pump position opposite standard position

SYSTEMS

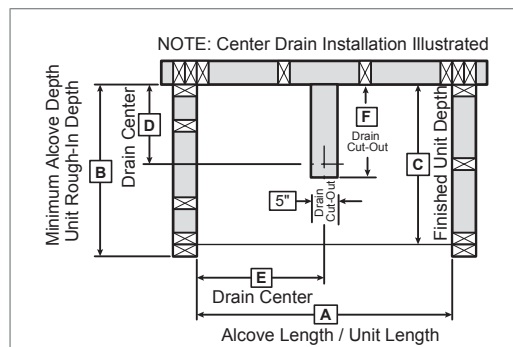
Homestead **DOOR**

SELECTION

Combine with AKER's complete shower door offering visit www.akerbymax.com

CERTIFICATIONS

AKER products adhere to one or more of the following certifications:



Model	A	B	C	D	E	F
141082	60"	42"	40 1/2"	11 1/4"	30"	14 1/4"

Project :

Contractor :

AKER Representative : Tel :

Date :

TECHNICAL SPECIFICATIONS

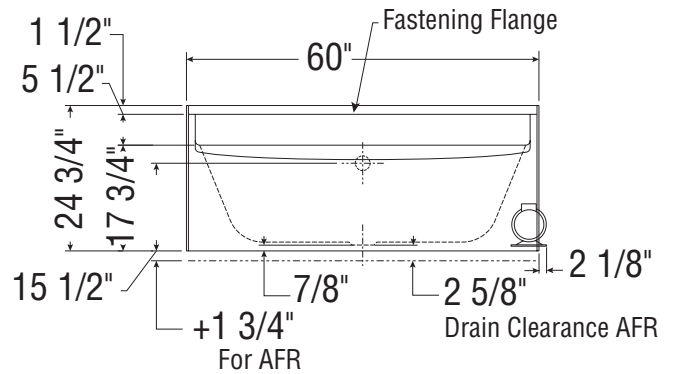
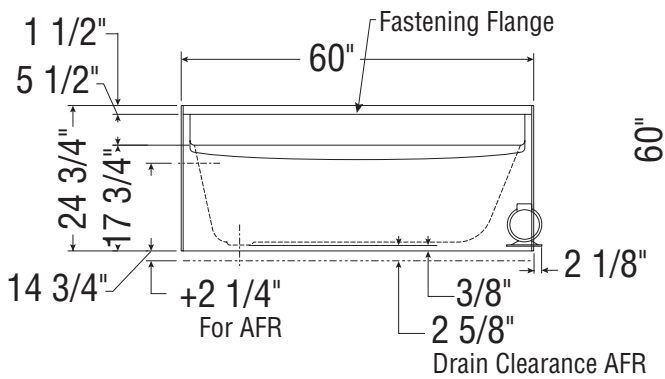
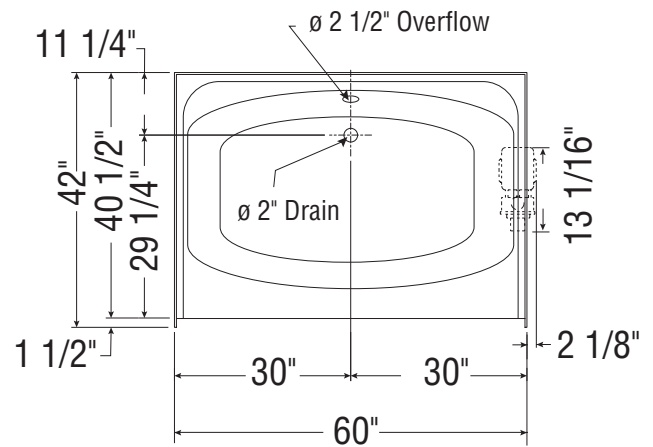
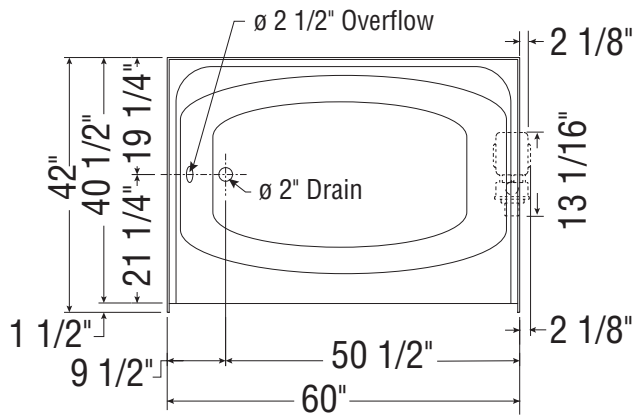
GT-4260

MODEL NUMBER 141082

TECHNICAL DRAWINGS

GT-4260 R
GT-4260 L (shown)

GT-4260 Center Drain



All dimensions are approximate. Structure measurements must be verified against the unit to ensure proper fit.