

# TECHNICAL SPECIFICATIONS

## SBF-3672

**MODEL NUMBER 141092**

DIMENSIONS: 72" x 36" x 21 1/2" Gelcoat



### STANDARD FEATURES

- Deep and spacious bathing well
- Backrest with lumbar support
- Armrests
- 20 1/2 inch deep sump
- Bottom bathing well: 56 1/2 inch L x 27 inch W
- Deck for faucet
- Textured floor
- Right or left drain
- Integrated tiling flange
- Alcove installation

### UNIQUE FEATURES

- Tiling Flange

### OPTIONS

- Removable solid apron kit
- Non-removable solid apron kit
- In-line heater (factory-installed)
- Pump position opposite standard position
- Designer grab bars in Chrome
- Ozonator for whirlpool system

### SYSTEMS

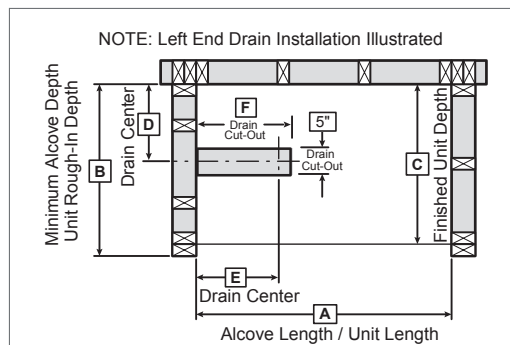
- Homestead Bodywrap

### DOOR SELECTION

Combine with AKER's complete shower door offering visit [www.akerbymax.com](http://www.akerbymax.com)

### CERTIFICATIONS

AKER products adhere to one or more of the following certifications:



Model	A	B	C	D	E	F
141092	72"	37 1/2"	36"	18"	8 3/8"	11 3/8"

Project : .....

Contractor : .....

AKER Representative : ..... Tel : .....

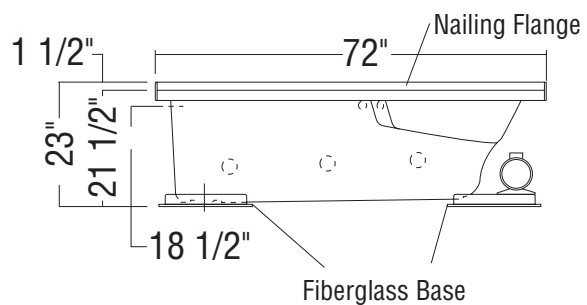
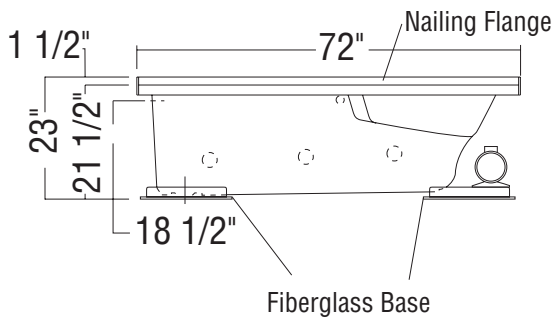
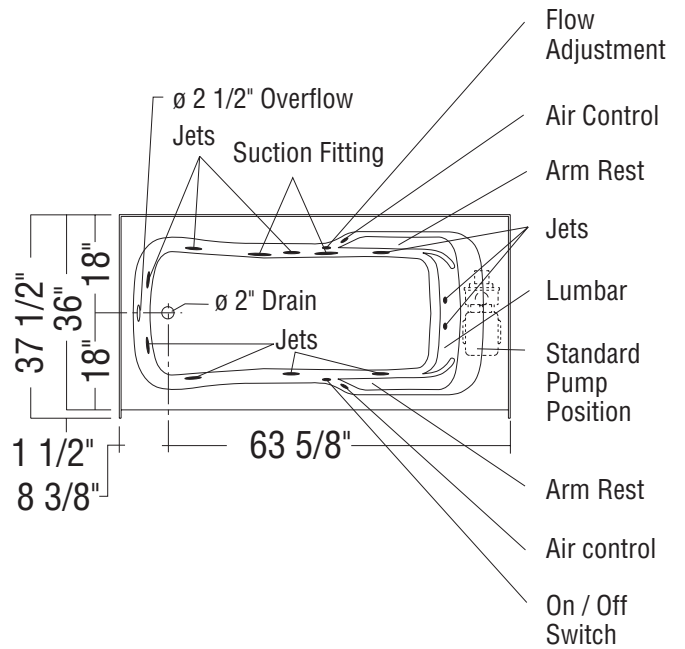
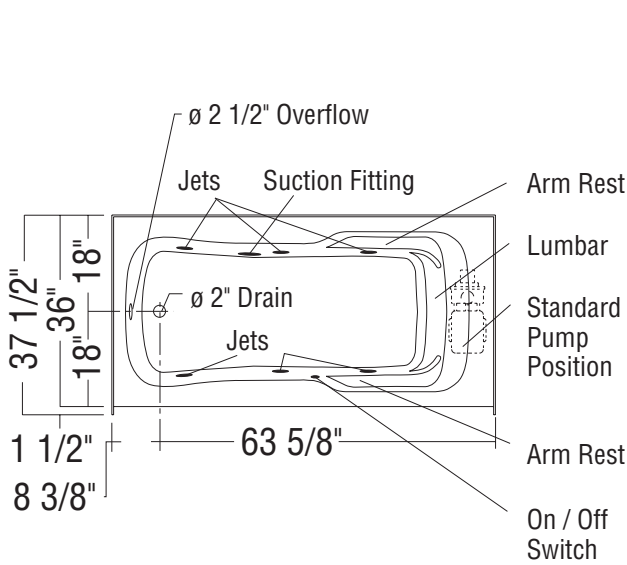
Date : .....

# TECHNICAL SPECIFICATIONS

## SBF-3672

MODEL NUMBER 141092

### TECHNICAL DRAWINGS



6-jet Homestead Collection SBF-3672L  
HMS (illustrated)

10-jet Bodywrap System SBF-3672L  
BWS (illustrated)