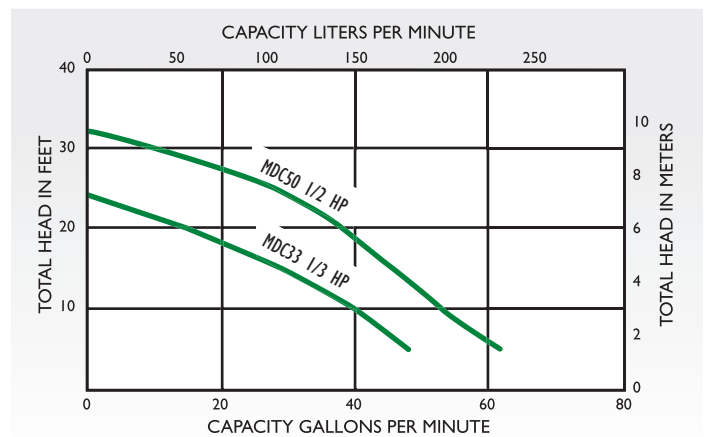


# MDC33/MDC50 SERIES

## 1/3 and 1/2 HP Cast Iron Submersible Sump Pumps



|                         |  |         |
|-------------------------|--|---------|
| Applications            | Basement Sumps, Dewatering, Light Effluent, Water Transfer                                     |         |
| Capacities              | 62 GPM   | 234 LPM |
| Shut-off Head           | 32'  | 9.75 m  |
| Operation:<br>Manual    |  |         |
| Tethered models: On     | 12-1/2"  | 318 mm  |
| Off                     | 3-1/2"   | 89 mm   |
| Vertical models: On     | 6-1/2"   | 165 mm  |
| Off                     | 2"   | 51 mm   |
| Solids Handling         | 1/2"   | 12.7 mm |
| Liquids Handling        | drainage effluent  |         |
| Continuous Liquid Temp. | 130°F  | 54°C    |
| Motor Electrical Data   | 1/3 HP, 9.8A; 1/2 HP, 12A; shaded pole w/thermal overload protection, 115V, 1Ø, 60Hz, 1550 RPM |         |
| Acceptable pH Range     | 6–9  |         |
| Shaft Seal              | carbon & ceramic   |         |
| Housing                 | heavy cast iron  |         |
| Power Cord              | 10' (3 m) or 20' (6 m), 16/3, SJTW, SJTW-A   |         |
| Discharge, NPT          | 1-1/2"   |         |
| Min. Sump Diameter      |  |         |
| Float:                  | 14"  | 356 mm  |
| Vertical:               | 10"  | 254 mm  |



- 1/3 or 1/2 HP
- Rugged cast iron pump body and motor cover, exterior hardware stainless steel construction
- 1-1/2" (38 mm) NPT discharge
- Carbon/ceramic shaft seal
- Piggyback-style float for automatic or manual operation
- Oil-filled motor with automatic reset overload provides safe operation
- Ball-bearing construction for long life
- Easily replaceable power cord with optional lengths available

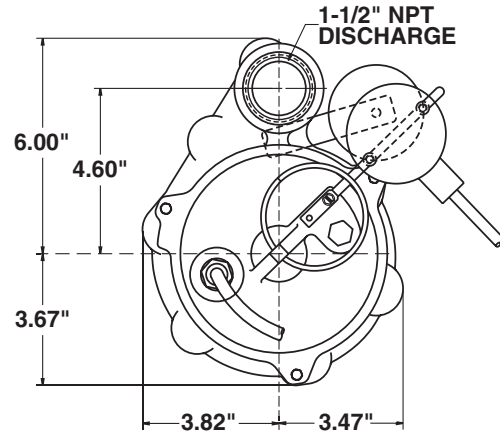


Pentair Water

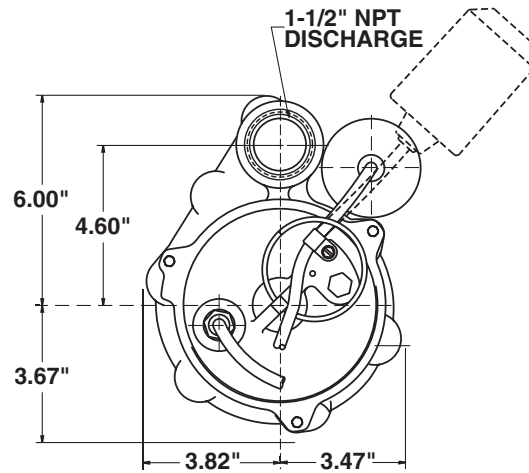
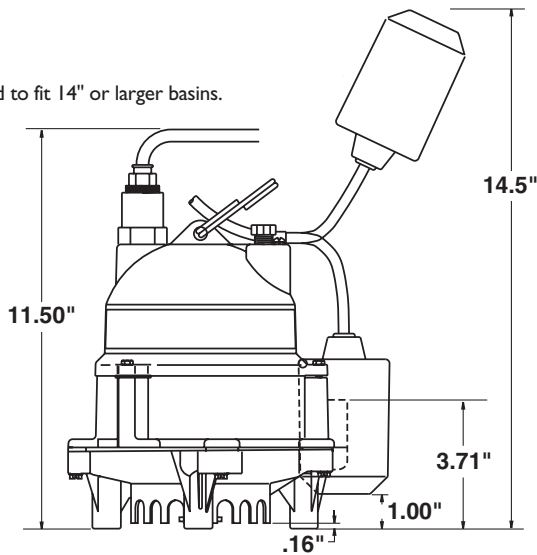
# MDC33/MDC50 SERIES

## 1/3 and 1/2 HP Cast Iron Submersible Sump Pumps

Designed to fit 10" or larger basins.



Designed to fit 14" or larger basins.



Dimensions (in inches) are for estimating purposes only.

### PUMP PERFORMANCE

| 1/3 HP                       |        |        |        |        |                              |
|------------------------------|--------|--------|--------|--------|------------------------------|
| Vertical Lift<br>Feet/Meters | 5/1.5  | 10/3   | 15/4.6 | 20/6.1 | Shut-off<br>24/7.3           |
| Gallons/Liters<br>Per Minute | 48/182 | 40/151 | 29/110 | 15/57  | No Flow                      |
| 1/2 HP                       |        |        |        |        |                              |
| Vertical Lift<br>Feet/Meters | 5/1.5  | 10/3   | 15/4.6 | 20/6.1 | 25/7.6<br>Shut-off<br>32/9.8 |
| Gallons/Liters<br>Per Minute | 62/235 | 53/201 | 46/174 | 38/144 | 29/110<br>No Flow            |

### SECTIONAL VIEW

