

CL-730C
 CL-730CJP

CL-720C
 CL-720CJP

CL-700C
 CL-700CJP



Single Handle Tub & Shower Faucet

Product Spec Sheet



FEATURES & BENEFITS

- Metal Lever Handle
- Washerless Pressure Balancing Valve
- Slip Fit Diverter Spout
- Max Flow Rate 2.0 GPM (7.6 L/MIN) at 80 PSI (ASME A112.18.1M/A112.18.1)

APPROVALS:

Meets or Exceeds The Following:

- * ANSI/ASME A112.18.1M/A112.18.1
- * IAPMO/cUPC

CL-730C
Tub & Shower Faucet
Chrome Finish

CL-720C
Shower Only Faucet
Chrome Finish

CL-700C
Valve Only Faucet
Chrome Finish

CL-730CJP
Trim Kit For Tub & Shower Faucet
Chrome Finish

CL-720CJP
Trim Kit For Shower Only Faucet
Chrome Finish

CL-700CJP
Trim Kit For Valve Only Faucet
Chrome Finish



* WaterSense Only On Models Containing Showerheads

CALIFORNIA:
TEXAS:
NEW YORK:

TEL: 866-532-8306
TEL: 800-935-5456
TEL: 800-431-2082

FAX: 866-532-8307
FAX: 800-683-4247
FAX: 800-640-2252

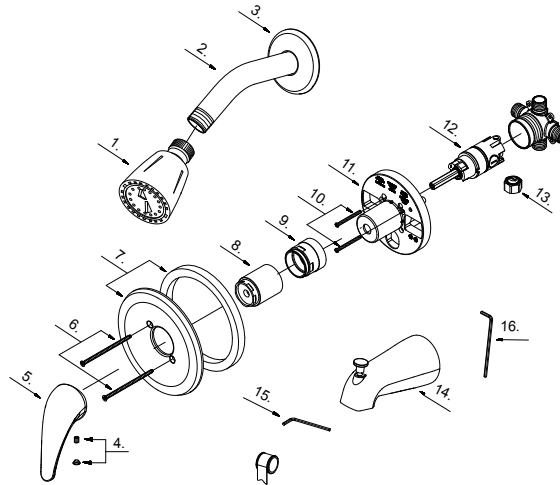
Visit Our Web Site : www.matco-norca.com

CL-730C **CL-720C** **CL-700C**
 CL-730CJP **CL-720CJP** **CL-700CJP**

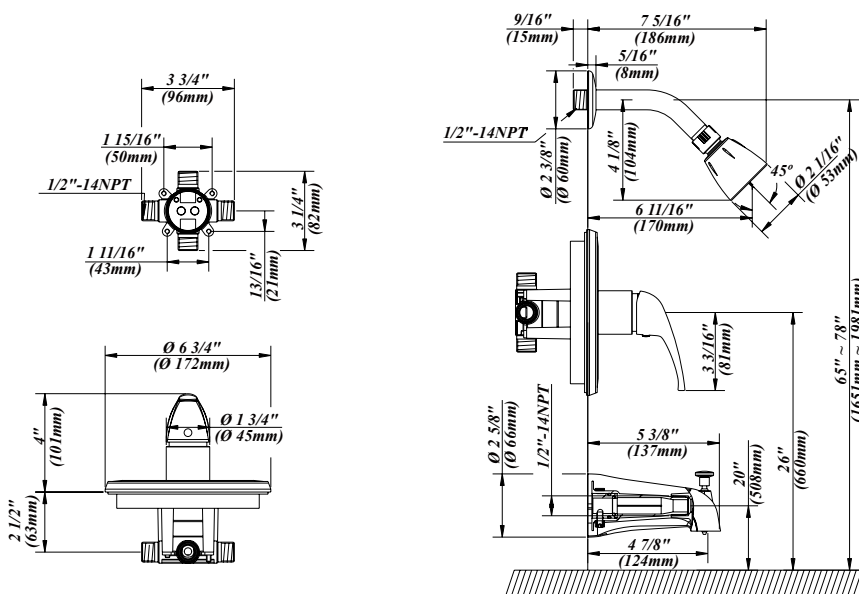


Single Handle Tub & Shower Faucet

| No. | Name | Part No. |
|-----|---|-----------|
| 1 | Shower Head | S1214202 |
| 2 | Shower Arm | A020002 |
| 3 | Shower Arm Flange | A019001 |
| 4 | Handle Cap | A66D569 |
| 5 | Metal Handle | A029048 |
| 6 | Screw Set (3/16" -24 * 5" L) | A608226 |
| 7 | Escutcheon Assembly | A667915 |
| 8 | Sleeve | A103322 |
| 9 | Retainer Nut | A103310 |
| 10 | Screw Set (3/16" -24 * 2-3/16" L) | A608519 |
| 11 | Plaster Guard | A127007 |
| 12 | Washerless Cartridge Assembly | A507975 |
| 13 | Plug | A028452 |
| 14 | Spout W/Diverter | A118011 |
| 15 | Hex Wrench (H2.5 * 19 mm L * 53 mm L) | A031000NI |
| 16 | Hex Wrench (H3.18 * 20 mm L * 90 mm L) | A031017NI |



Product Spec Sheet



CALIFORNIA:
TEXAS:
NEW YORK:

TEL: 866-532-8306
TEL: 800-935-5456
TEL: 800-431-2082

FAX: 866-532-8307
FAX: 800-683-4247
FAX: 800-640-2252

Visit Our Web Site : www.matco-norca.com