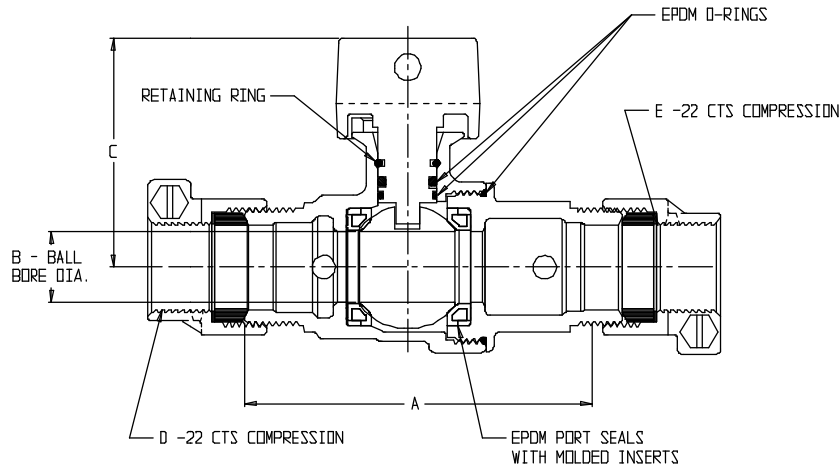
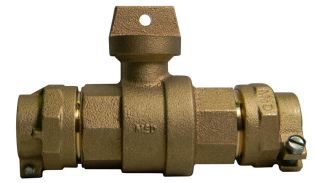


SUBMITTAL DATA SHEET

NL Ball Style Curb Stop – 76100-22

-22 CTS Compression x -22 CTS Compression



| MODEL | SIZE | A | B | C | D | E |
|----------|-------------------|------|------|------|-------|-------|
| 76100-22 | 3/4 X 5/8 X 3/4 | 3.36 | .63 | 2.31 | 3/4 | 3/4 |
| 76100-22 | 3/4 | 3.99 | .75 | 2.42 | 3/4 | 3/4 |
| 76100-22 | 1 X 3/4 X 3/4 | 4.03 | .75 | 2.42 | 1 | 3/4 |
| 76100-22 | 1 X 3/4 X 1 | 4.25 | .75 | 2.42 | 1 | 1 |
| 76100-22 | 1 | 4.49 | 1.00 | 2.65 | 1 | 1 |
| 76100-22 | 1 1/4 X 1 X 1 | 4.79 | 1.00 | 2.65 | 1 1/4 | 1 |
| 76100-22 | 1 1/4 X 1 X 1 1/4 | 4.79 | 1.00 | 2.65 | 1 1/4 | 1 1/4 |
| 76100-22 | 1 1/4 | 5.33 | 1.25 | 2.94 | 1 1/4 | 1 1/4 |
| 76100-22 | 1 1/2 | 6.05 | 1.50 | 3.40 | 1 1/2 | 1 1/2 |
| 76100-22 | 2 | 6.99 | 2.00 | 3.71 | 2 | 2 |

SUBMITTAL INFORMATION

- Manufactured in compliance with ANSI/AWWA C800 (latest revision)
- Brass components in contact with potable water conform to ASTM B584, UNS C89833 (latest revision) and identified with "NL"
- Certified to NSF/ANSI 61 and NSF/ANSI 372
- Brass components not in contact with potable water conform to ASTM B62 and ASTM B584, UNS C83600 -85-5-5-5 (latest revision)
- PTFE coated brass ball
- Rated for 300 PSIG water pressure
- Blow out proof EPDM port seals
- End piece joint sealed with an EPDM o-ring and thread locker
- Insert stiffeners required on all flexible plastic connections



A.Y. McDonald Mfg. Co.
P.O. Box 508
Dubuque, IA 52004-508

Toll Free: 1-800-292-2737
Fax: 1-800-832-9296
Hours: 7:00 a.m. – 5:00 p.m., CST

sales@aymcdonald.com
www.aymcdonald.com

A.Y. McDonald considers the information on this assembly drawing correct when published. Item and option availability, including specifications, are subject to change without notice.

Submitted by: