



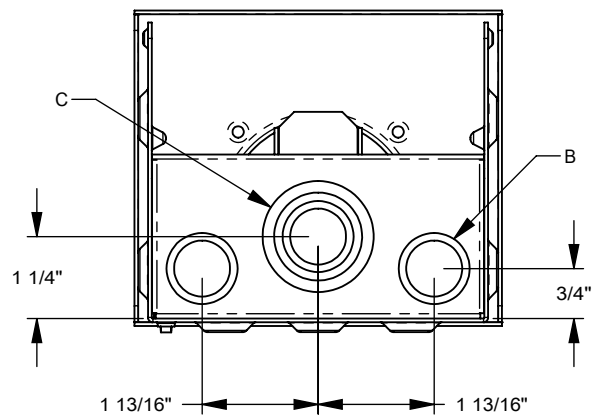
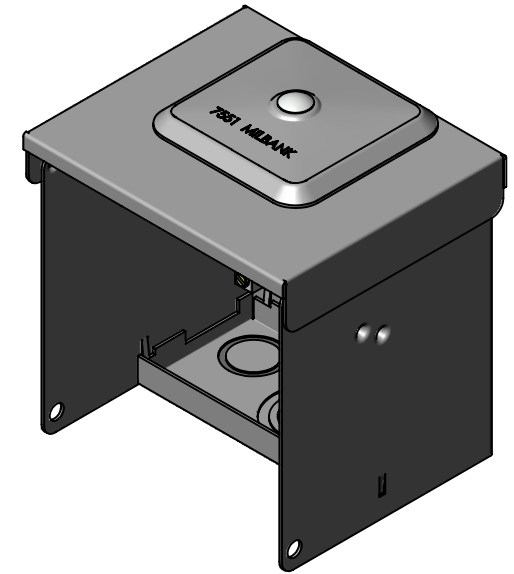
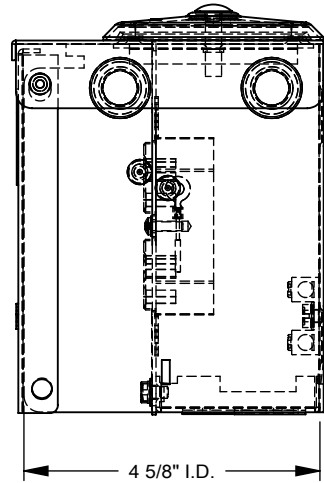
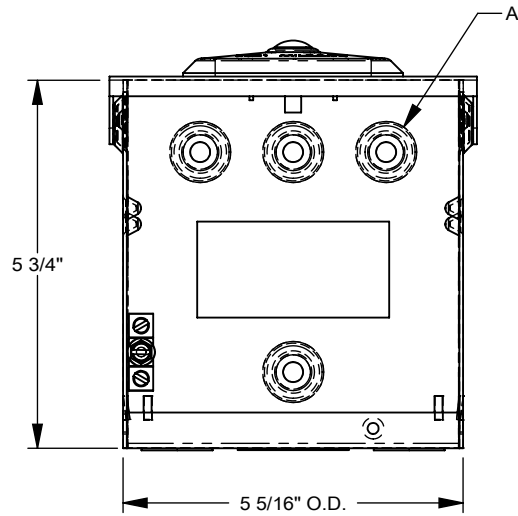
Catalog Number: P-54
Item Description: RECEIPT IN BOX
UPC Code: 784572118133

Brand Name: Milbank
Type: Receptacle Enclosure
Special Features: NEMA 1450R
Application: 50 Ampere, 240 Volts Alternating Current
Standard: UL Listed
Number Of Outlet: 1
Material: Painted Steel
Color: Gray
Construction: Welded
Cable Entry: Overhead or Underground
Mounting: Surface Mount
Knockouts: True



Utility requirements may vary. Always consult the serving utility for their requirements prior to ordering or installing this equipment. This product must always be installed by a licensed electrician. Installation of this equipment may require local electrical inspector approval.

FEATURE TABLE		
ITEM	QTY	DESCRIPTION
A	4	U/L MNTG.EMBOSS
B	2	1/2, 3/4 CONC. K.O.
C	1	1/2, 3/4, 1, 1 1/4 CONC. K.O.



Version:

1

All dimensions are +/- 1/16".
 Drawing views are not to scale.
 Utility requirements for this equipment may vary. Always consult the serving utility for their requirements prior to ordering or installing this equipment. This product must be installed by a licensed electrician. Installation of this equipment may require local electrical inspector approval.