

DESCRIPTION

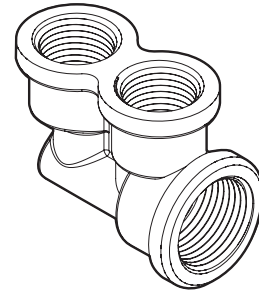
- Metal construction

OPERATION

- For use with thermostatic and flow tub/shower installations

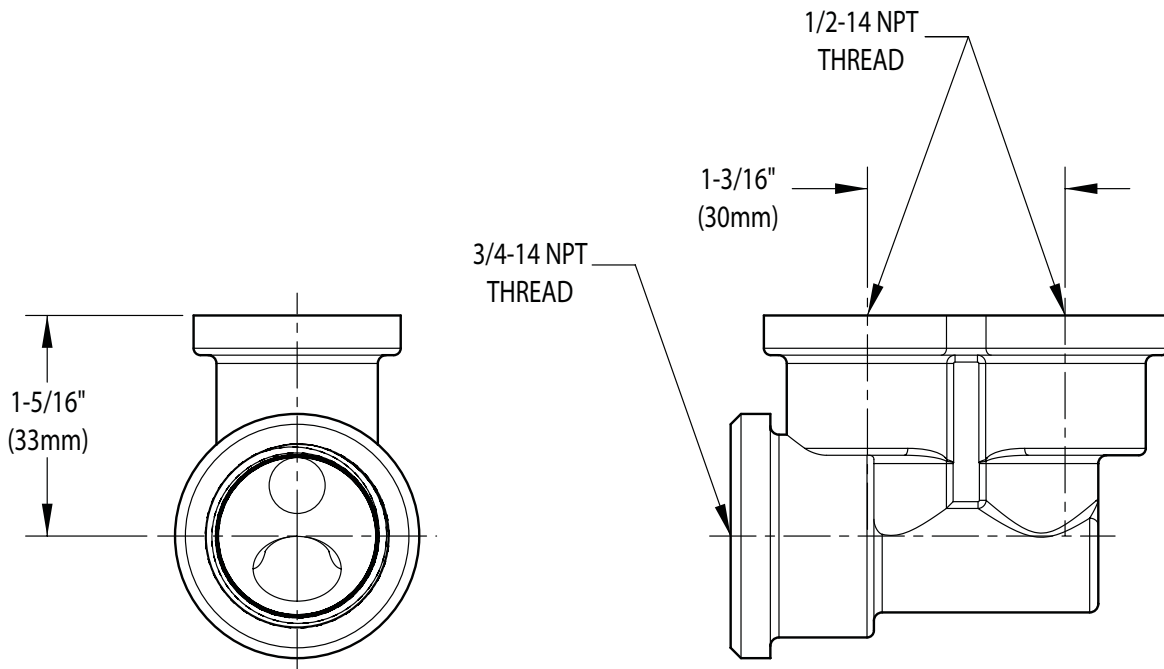
WARRANTY

- Warrented for one year against material or manufacturing defects



TWIN ELL

Model: 128284



CRITICAL DIMENSIONS

(DO NOT SCALE)