



Buy it for looks. Buy it for life.®

Specifications

DESCRIPTION

- Metal construction
- Installs on 10"(254mm) centers minimum
- Designed to be installed on rough decks up to 3 3/8" (86mm)
- Accommodates 1-1/4" (32mm) additional finish deck
- 1/2" CC inlets and outlets
- No cut adjustable spout shank
- Includes test plug
- Includes spout shank tool

OPERATION

- Can be installed with any Moen deck mounted Roman tub trim kit
- Rotate hot side handle counterclockwise to open (clockwise to close) and the cold side handle clockwise to open (counterclockwise to close)

FLOW

- Designed to deliver 16 gpm at 45 psi. (60L/min)

CARTRIDGE

- Nonmetallic and stainless steel materials

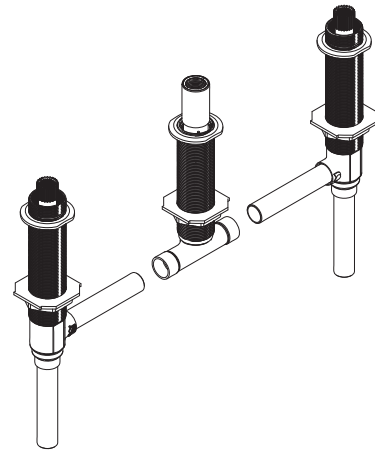
STANDARDS

- Designed and manufactured to comply with the applicable requirements of: ASME A112.18.1/CSA B-125.1 and all applicable requirements referenced therein

WARRANTY

- Lifetime limited warranty against leaks, drips and finish defects to the original consumer purchaser
- 5 year warranty if used in commercial installations

NOTE: Plumbing codes require this product to be used with a device conforming to ASSE.



Model: 4792

Moen's Adjustable Roman Tub Valve

104465 Thermostatic mixing valve sold separately is certified to ASSE 1070 and CSA B-125.3

