

**There is more than one version of this model.  
Page down to identify the version you have.**

## DESCRIPTION

- Metal construction with finish identified by suffix
- ½" IPS connections will accept standard ball nose connection for 3/8" tubing
- Installation through 3 holes, 1" min. diameter, and 4" on center
- Includes pop-up waste assembly

## OPERATION

- Lever handles
- Maximum handle rotation angle is 90° to full on
- Hot side counterclockwise to open (clockwise to close)
- Cold side clockwise to open (counterclockwise to close)

## FLOW

- Water usage is limited to the maximum flow rates as indicated by the corresponding product markings
  - 1.2 gpm max (4.5 L/min) at 60 psi

## CARTRIDGE

- 1234 Duralast® cartridge
- Nonmetallic and stainless steel material

## STANDARDS

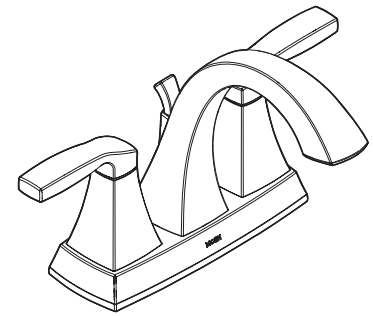
- Third party certified at WaterSense®, ASME A112.18.1/CSA B125.1, and all applicable requirements referenced therein including NSF 61/9 & 372
- Products marked with 1.2 gpm are compliant with California water efficiency regulations
- Complies with California Proposition 65 and with the Federal Safe Drinking Water Act
- ADA ♿ for lever handles

## WARRANTY

- Lifetime limited warranty against leaks, drips and finish defects to the original homeowner
  - 10 year limited warranty when used in a multifamily installation
  - 5 year limited warranty when used in a commercial installation
- Visit [www.moen.com/support](http://www.moen.com/support) for complete details and limitations

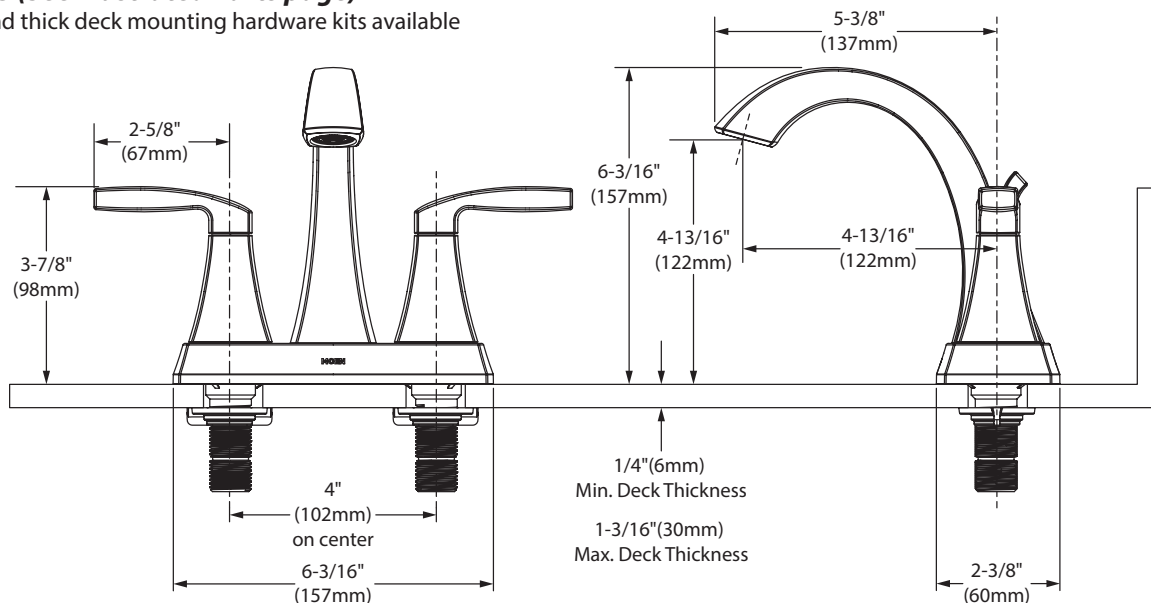
## OPTIONS (See Illustrated Parts page)

- Thin and thick deck mounting hardware kits available



**VOSS™**  
**Two-Handle 4" Centerset Lavatory Faucet**

**Models:**  
6901 series includes metal waste



## **CRITICAL DIMENSIONS**

(DO NOT SCALE)

