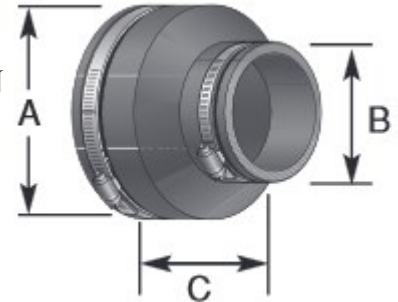


FLEXIBLE RUBBER COUPLING

MADE FROM DURABLE FLEXIBLE ELASTOMERIC PVC
 CLAMPS ARE MADE FROM SERIES 300 STAINLESS STEEL
 ALL COUPLINGS FIT ANY PIPE TYPE WITHIN +/- 5% OF LISTED DIMENSION
 MAXIMUM 60 INCH POUNDS OF TORQUE ON CLAMP



NOT FOR USE IN PRESSURIZED WATER SYSTEMS.

5 P.S.I. MAXIMUM

* - IAPMO, UPC, & cUPC (CANADA) LISTED

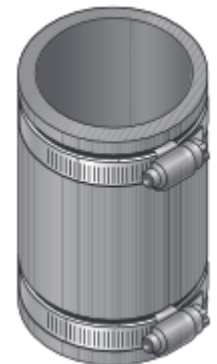
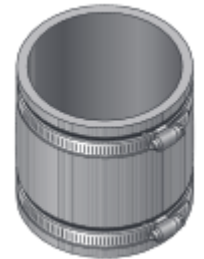
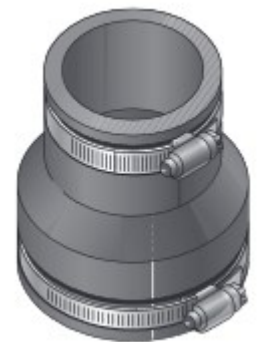
** - ONLY IAPMO & UPC LISTED

CLAY TO CLAY								
PART NUMBER	A		B		C		WEIGHT (LBS)	
	INCHES	MM	INCHES	MM	INCHES	MM		
01-44 *	5.25	133	5.25	133	4.00	101	1.27	

CLAY TO CAST IRON OR PLASTIC								
PART NUMBER	A		B		C		WEIGHT (LBS)	
	INCHES	MM	INCHES	MM	INCHES	MM		
02-43 *	5.25	133	3.38	85	4.00	101	1.25	
02-44 *	5.25	133	4.38	111	4.00	1.1	1.45	
02-64 *	7.38	187	4.38	111	6.00	152	2.44	
02-66 *	7.38	187	6.38	162	6.00	152	2.38	
02-88 **	9.65	245	8.50	215	6.00	152	3.16	
02-1010	11.80	299	10.60	269	6.00	152	4.00	
02-1212	14.38	365	12.60	320	6.00	152	5.20	

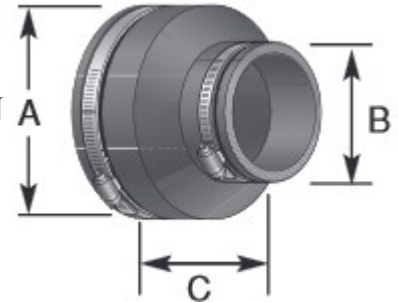
CONCRETE TO CAST IRON OR PLASTIC								
PART NUMBER	A		B		C		WEIGHT (LBS)	
	INCHES	MM	INCHES	MM	INCHES	MM		
06-44 *	5.53	142	4.38	111	4.00	101	1.66	
06-64 *	7.80	198	4.38	111	6.00	152	2.41	
06-66 *	7.80	198	6.38	162	6.00	152	2.58	
06-88 **	10.25	260	8.50	215	6.00	152	3.33	

ASBESTOS CEMENT, FIBRE, OR DUCTILE IRON TO CAST IRON OR PLASTIC								
PART NUMBER	A		B		C		WEIGHT (LBS)	
	INCHES	MM	INCHES	MM	INCHES	MM		
51-44 *	4.75	120	4.38	111	4.00	101	1.08	
51-66 *	7.00	177	6.38	162	6.00	152	2.73	



FLEXIBLE RUBBER COUPLING

MADE FROM DURABLE FLEXIBLE ELASTOMERIC PVC
 CLAMPS ARE MADE FROM SERIES 300 STAINLESS STEEL
 ALL COUPLINGS FIT ANY PIPE TYPE WITHIN +/- 5% OF LISTED DIMENSION
 MAXIMUM 60 INCH POUNDS OF TORQUE ON CLAMP



NOT FOR USE IN PRESSURIZED WATER SYSTEMS.
 5 P.S.I. MAXIMUM

NOT FOR USE IN PRESSURIZED WATER SYSTEMS.
 5 P.S.I. MAXIMUM

* - IAPMO, UPC, & cUPC (CANADA) LISTED

** - ONLY IAPMO & UPC LISTED

CAST IRON, PLASTIC, COPPER, STEEL, OR LEAD TO CAST IRON, PLASTIC, COPPER, STEEL OR LEAD

PART NUMBER	A		B		C		WEIGHT (LBS)
	INCHES	MM	INCHES	MM	INCHES	MM	
56-125	1.65	40	1.65	40	4.00	101	0.36
56-150/125 *	1.90	48	1.65	40	4.00	101	0.41
56-150 *	1.90	48	1.90	48	4.00	101	0.41
56-2150	2.40	60	1.90	48	4.00	101	0.51
56-22 *	2.40	60	2.40	60	4.00	101	0.50
56-32	3.38	85	2.40	60	4.00	101	0.71
56-33 *	3.38	85	3.38	85	4.00	101	0.75
56-42 *	4.38	111	2.40	60	4.00	101	0.93
56-E43 *	4.38	111	3.38	85	4.00	101	1.37
56-43 *	4.38	111	3.38	85	4.00	101	1.08
56-44	4.42	112	4.42	112	4.00	101	1.66
56-44W	4.42	112	4.42	112	4.00	101	1.17
56-55 *	5.62	142	5.62	142	4.00	101	1.38
56-E64	6.38	162	4.38	111	6.00	152	2.20
56-64 *	6.38	162	4.38	111	6.00	152	2.16
56-66 *	6.38	162	6.38	162	6.00	152	2.13
56-86 **	8.50	215	6.38	162	6.00	152	3.37
56-88 **	8.50	215	8.50	215	6.00	152	3.50
56-1010	10.60	269	10.60	269	7.00	178	6.00
56-1212	12.83	326	12.83	326	6.00	152	5.00

