

Specifications:

Input Voltage:	110VAC to 240VAC
Power (VA):	5 Watts
Frequency:	50/60 HZ
Output Voltage	5 KV
Power Supply Dimensions:	2.0" W x 1.0" H x 3.0" L
Flexible Bar Dimensions:	1.25" W x 0.05" H x 18" L
Power Supply Weight:	0.5 lb.
Service Temp. Range:	-40°F to 140°F
Electrical Approvals:	UL and cUL approved
Plasma Output:	Approx. 240M ions/cc per foot of flexible ribbon
Indication:	Green LED "Power On" LED "OFF" = No power or fault
Mounting:	Flexible applications - adhere to solid surface
Orientation:	Install in air stream of application

Packaging:

1 each **4900-35**

Installation Instructions:

The iWave-M is a highly versatile ion generating device that is designed to be typically installed at the base of the cooling coil for ductless and duct air conditioning systems; but the device can be installed in supply air as well. The iWave-M is an ideal, no replacement part device that can be integrated into wall or ceiling cassette indoor coils of mini-splits, PTAC units or commercial systems where there may not be enough room to install the iWave-C between the filter and coil. It can also be used to inhibit mold in ice machine applications. The 18 inch ion generating bar can be used for coils up to 36 inches wide. For coils beyond the 18 inch ionizer length, simply center the ionizer bar on the coil to make sure the ionization best covers the coil width. For coils shorter than 18 inches, see the section on iWave-M modification directions on the back page.

Simply peel back the sticky backing to the power pack and ionization bar and stick it across the width of the coil, near its base so the iWave-M treats the coil as well as the breathing zone. For ice machines, install on top and/or side panel of equipment, above the water line so it creates a plasmafield inside the machine. Connect the appropriate leads of the iWave-M to 110VAC to 240VAC power (see diagram on back page) and reassemble the equipment and turn on power to the unit.

Mini-Split Instructions:

1. Turn power off to mini-split.
2. Open front cover of indoor unit.
3. Remove filter screens.



Indoor Air Quality

iWave®-M *Mini Flexible Air Cleaner*



4. Measure the length of coil and affix ionizer bar to solid surface (often plastic) on top of the coil. If there is no plastic surface, the iWave-M can be affixed directly to the top of the fins. (See Figure 6.) The width of the plastic region will easily accommodate the iWave-M ionizer bar so it can treat the coil, barrel blower and breathing zone of the room. For coils between 24-36 inches, center the ionizer bar on top of the coil and affix. For coils less than 18 inches, refer to the iWave-M modification directions below. **Note:** Securing the iWave-M with adhesive backed Velcro® strips is another option for easier ongoing removal for other servicing within system.

Critical: Keep any metal from directly touching the emitters.

5. Depending on mini-split model, the area available to mount power pack will vary. Either affix with adhesive backing to back cabinet wall or side of coil. (See Figure 6.)
6. Run wires to the electrical compartment to hook up to 110VAC to 240VAC incoming power source to where iWave-M will power on continually. For 110/120VAC input, connect the black wire (hot) and white wire (neutral). For 208/240VAC input, connect red wire (hot) and white wire (Neutral or Other AC Phase) to applicable electrical terminal block. Do not use the black wire with 208-240VAC input! **Important:** Always add a wire nut to wire not being used (red or black) depending on voltage input.
7. Trim wires to length hook up to appropriate terminal connections and connect. Harness/secure wires within the equipment as necessary. The LED on iWave-M power pack will turn green when power is supplied.
8. Reassemble filter screens, close the front cover and turn on power to mini-split.

iWave-M Modification Instructions on Back.

iWave-M Modification Instructions:

For typical minisplit (or ice machine) applications, no adjustment in iWave-M length is necessary. For an irregular application where the iWave-M is too long for the coil which it's being applied, perform the following steps:

1. Measure how much past the end of the coil the iWave-M lies.
2. Bend the iWave-M back on top of itself (DO NOT bend under with sticky backing facing each other) so the brush pairs on the top will lay next to the brush pairs on the bottom, shown in Figure 1.
3. Peel the backing off of the iWave-M and press it down to the cooling coil starting at the power entry side of the iWave-M. DO NOT press down on the end of the iWave-M that will need folded to shorten the length, see Figure 2. **Note:** Securing the ionization bar with an adhesive backed Velcro® strips is another option for easier removal with equipment service.
4. Fold the iWave-M back to achieve the length required, lining up the bottom and top layer brush pairs as shown in Figure 1, and place a piece of electrical tape across the joint. See Figure 3.
5. Continue to use electrical tape down the iWave-M towards the end, making sure that the tape joints are between the brush pairs. DO NOT allow the tape to cover the brush pairs. See Figure 4.
6. DO NOT crease the end of the iWave-M flat. As a guide, use a #2 Phillips screwdriver inside the fold joint to ensure the proper bend is achieved. See Figure 5.
7. Once the iWave-M has been folded and taped to the length required, push it down on the coil.
8. A successful fold procedure will create “pockets” for the carbon fiber brushes to emit the ions.



Figure 1



Figure 2

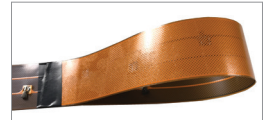


Figure 3



Figure 4



Figure 5

Typical Location Install on Ductless Wall System:

Figure 6

Affix iWave-M power pack to back of cabinet.

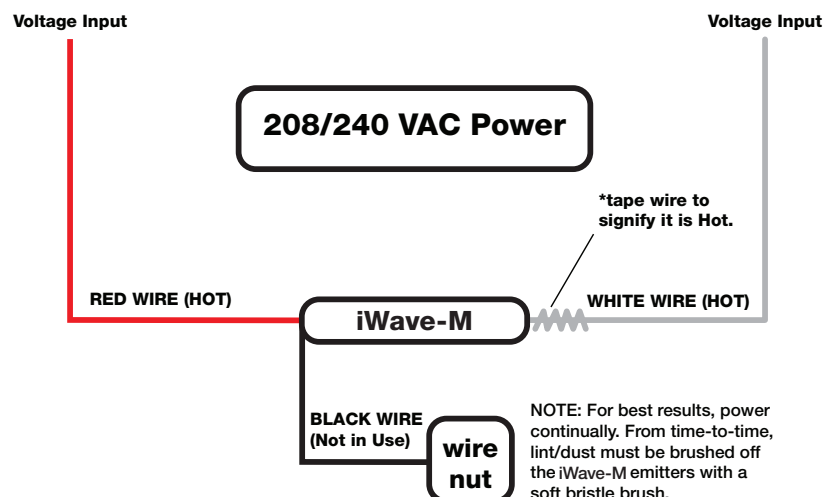
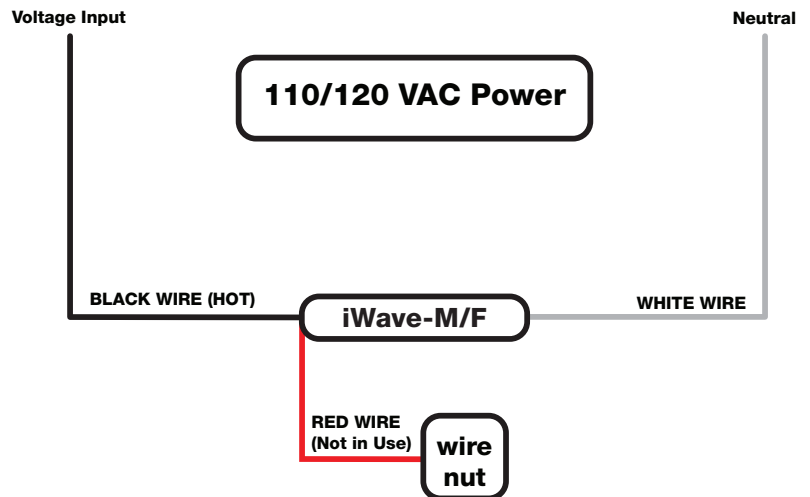


Affix iWave-M to the top of coil on plastic strip (or top of fins) to treat coil, blower and living space.

Cleaning: If required, use a wet wipe or damp cloth to clean the ionizer bar. A small soft bristle paintbrush can also be used to clean debris from ion emitters. Do not expose the iWave-M to corrosive cleaners. Contact Nu-Calgon for further guidance with coil cleaner options.

Limited Warranty:

The iWave-M is warranted for three years and covers any defects in material or workmanship under normal use. If during the warranty period a claim is made, the product will be replaced. Nu-Calgon's warranty does not cover labor, return shipping charges, damage from connecting the unit to the wrong voltage, or improper iWave-M installation in system. See Nu-Calgon's standard warranty, terms and conditions available at www.nucalgon.com for further information. Contact your local Nu-Calgon account manager with further questions.



NOTE: For best results, power continually. From time-to-time, lint/dust must be brushed off the iWave-M emitters with a soft bristle brush.