



4700 W. 160th St.  
Cleveland, Ohio 44135  
Ph: (800) 321-9532  
Fax: (800) 321-9535  
www.oatey.com

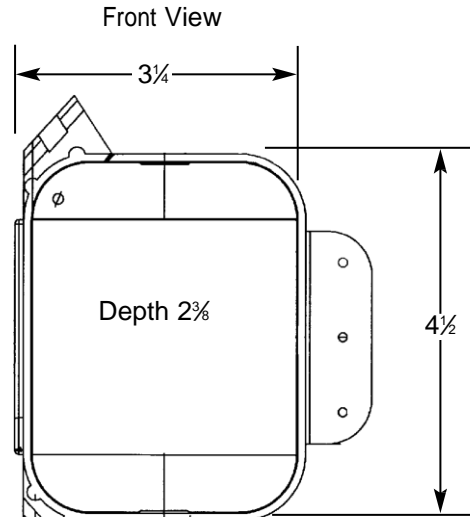
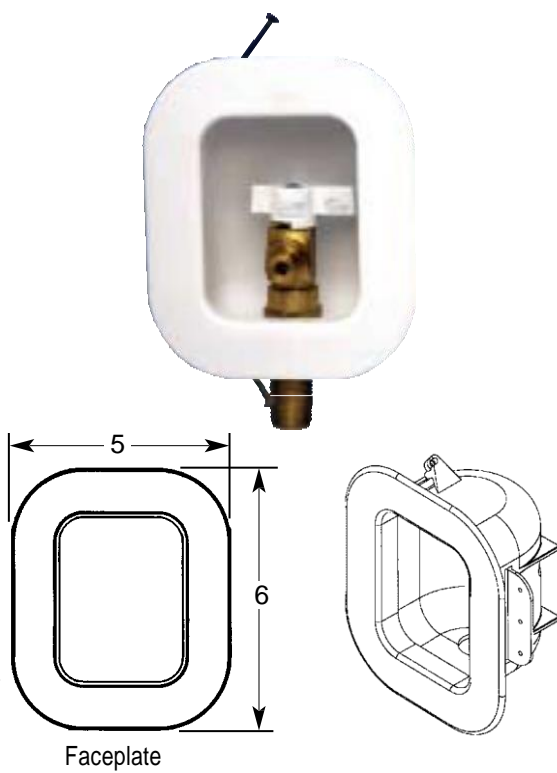
# I2K® Ice Maker Box with Nails



## SUBMITTAL SPECIFICATION

**Engineering Specification:** Oatey Ice Maker boxes can be used in commercial or residential applications which require supply valves recessed into the wall.

Job Reference



(All dimensions in inches)

- Nails preloaded - no support bracket needed
- Right or left hand installation
- Box made of high impact polystyrene
- Valves comply with requirements of NSF 61, Section 9
- Available with copper, CPVC and PEX connections
- Snap-on faceplate frame
- US Patent # D 428,117

✓	Prod. No	Description
	39114	I2K ¼ Turn F1807 ½ Standard LL Display Pack
	39130	I2K, ¼ Turn, Copper, Low Lead – Display Pack
	39132	I2K, ¼ Turn, F1960, Low Lead – Contractor Pack
	39133	¼ Turn Brass Ball Valve Low Lead- CPVC Standard Pack (6 Per)
	39134	¼ Turn Brass Ball Valve Low Lead – Copper Sweat- Standard Pack (6 Per)
	39135	I2K, ¼ Turn, Copper, Low Lead – Contractor Pack
	39136	I2K, ¼ Turn, F1807, Low Lead – Standard Pack
	39137	I2K, ¼ Turn, CPVC, Low Lead – Contractor Pack
	39138	I2K, ¼ Turn, F1807, Low Lead – Contractor Pack
	39139	I2K, Boiler Drain, Copper, Low Lead, NAFTA – Standard Pack
	39125	I2K, ¼ Turn, Copper, Hammer, Low Lead – Standard Pack
	39126	I2K, ¼ Turn, CPVC, Hammer, Low Lead – Standard Pack
	39127	I2K, ¼ Turn, F1807, Hammer, Low Lead – Standard Pack
	39128	I2K, ¼ Turn, F1960, Hammer, Low Lead – Standard Pack
	38312	I2K, ¼ Turn Push Connect, No Hammer – Standard Pack (6 Per)
	38320	I2K, ¼ Turn Pursh Connect, No Hammer – Contractor Pack (12 Per)

Valves meet ASME A112.18.1

Data is subject to manufacturing tolerances.



Visit [www.oatey.com](http://www.oatey.com) for updates.

✓ Accessories		
	38622	Plastic Faceplate, 1" deep, for I2K and S2K
	38621	Plastic Faceplate, 1/2" deep, for I2K and S2K
	38619	Plain Box- Standard Pack (6 Per)