

Schwank
INNOVATIVE HEATING SOLUTIONS



infrasave
radiant heaters

REPLACEMENT PARTS LIST:

LOW INTENSITY U-TUBE INFRARED HEATER FOR COMMERCIAL / INDUSTRIAL APPLICATIONS

Schwank Series:

P40U, P40U-P, P40U-W

InfraSave Series:

P40U-I, P40U-IP, P40U-IW

AND

RESIDENTIAL GARAGE / SHOP HEATER: GAS-FIRED VENTED ROOM HEATER

Schwank & Infrasave Series: **P40-R**

NOTICE:

The manufacturer reserves the right to make changes to equipment and specifications without obligation of notification.

This publication or parts thereof may not be reproduced in any form without prior written consent from the manufacturer. Unauthorized use or distribution of this publication is strictly prohibited.

Schwank Group

5285 Bradco Blvd.
Mississauga, Ontario L4W 2A6

PO Box 988, 2 Schwank Way
Waynesboro, GA 30830

Customer & Technical Services:
1-877-446-3727
Fax: 1-866-361-0523
csr@schwankgroup.com

Schwank and InfraSave brand product

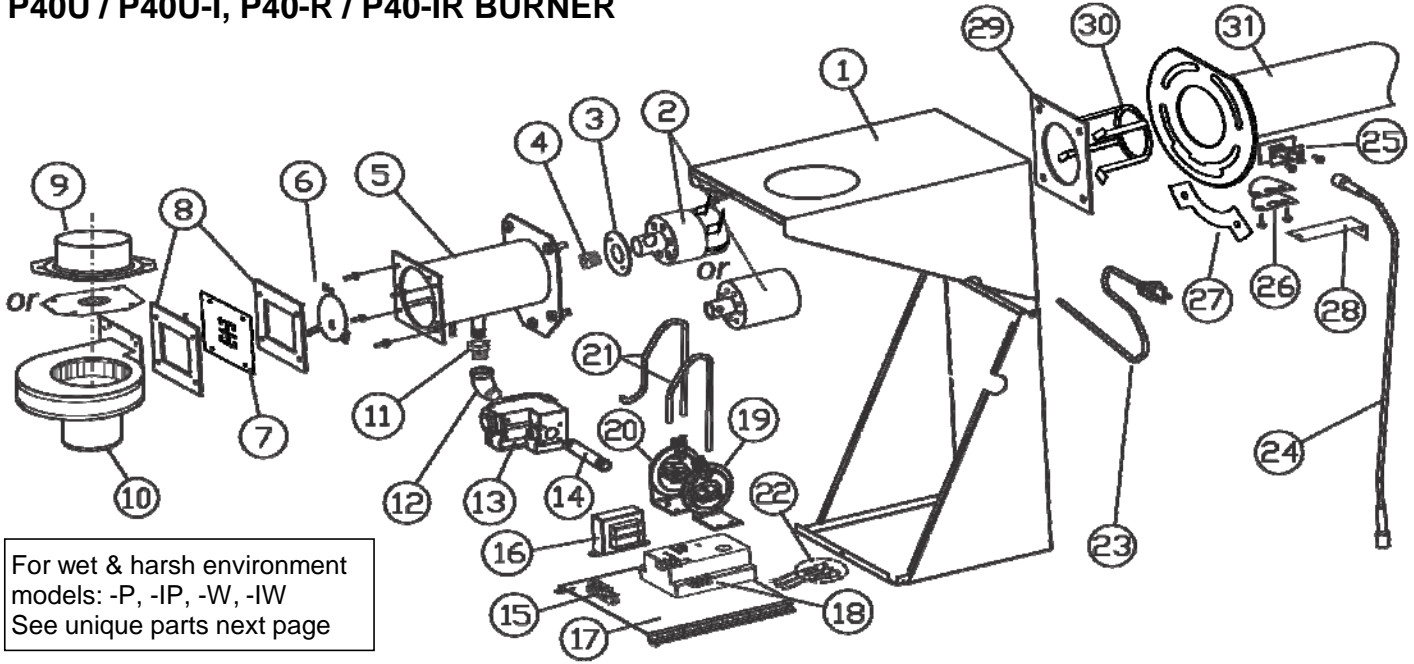
www.SchwankGroup.com
www.InfraSave.com



FOR YOUR SAFETY:

This heater must only be serviced by a trained gas service technician. Failure to comply could result in personal injury, death, fire and/or

P40U / P40U-I, P40-R / P40-IR BURNER

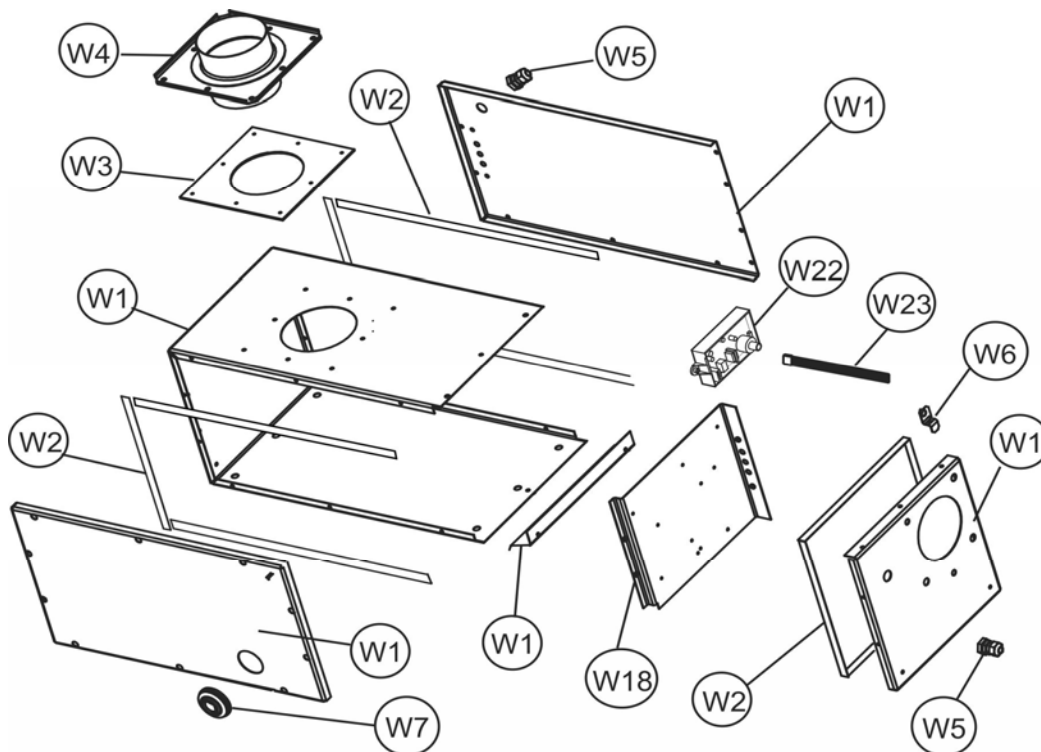


For wet & harsh environment models: -P, -IP, -W, -IW
See unique parts next page

#	PART DESCRIPTION	MODEL (-DASH)	PART #	PART DESCRIPTION PRIMARY
1	BURNER HOUSING: Schwank P40U	P40U	JS-0582-XX	Burner housing coated orange
	P40-R & InfraSave P40U-I	P40U-I; P40-R	JJ-0582-XX	Burner housing coated grey
2	BURNER CUP	- FA	JS-0510-LP	Burner Cup - with Vanes
			JS-0512-UL	Burner Cup - Cast Aluminum
3	BURNER CUP AIR RESTRICTOR RING	- FA	JS-0596-AA	Burner Cup Air Restrictor Ring - 6 x 0.273" Holes
			JS-0596-RA-R	Burner Cup Air Restrictor Ring - 2 Holes
4	MAIN BURNER ORIFICE	40,000 NG	JS-0731-DM	Gas orifice low intensity HR 31 DMS
		40,000 LP	JS-0749-DM	Gas orifice low intensity HR 49 DMS
5	BURNER CHAMBER		JS-0504-XX	Burner Chamber
6	BURNER AIR RESTRICTOR		JS-0592-RF	Burner air restrictor 40,000
7	EQUALIZER PLATE		JS-0593-EP-R	Outlet equalizer plate 40,000 - 13 Holes
8	BLOWER GASKET	Each	JS-0578-XX	Blower gasket - Outlet
9	AIR INTAKE ADAPTER/RESTRICTOR	P40U; P40U-I	JS-0595-UT	Air Intake Adapter/Restrictor - 1-1/4" Hole
	P40-R: AIR INTAKE RESTRICTOR PLATE	P40-R	JS-0595-UR	Air Intake Restrictor - 1-1/4" Hole (No Duct Collar)
10	BLOWER		JS-0579-AA	Blower Assembly Tube Burner
11	MANIFOLD BUSHING		JM-0589-XX	Manifold bushing
12	90 DEGREE ELBOW FITTING 1/2"		JS-0588-XX	Street elbow fitting 90 deg
13	GAS VALVE	40,000 NG	JL-0701-AA	Gas Valve comb 3.5" WC 24VAC VR8 NG
		40,000 LP	JL-0703-AA	Gas Valve comb 10" WC 24VAC VR8 LP
14	4" NIPPLE		JS-0590-XX	Nipple 4"
15	TERMINAL BLOCK		JM-0455-DD	Terminal block - Electrical Connections
16	STEP DOWN TRANSFORMER		JA-0775-XX	Transformer 120/24V, 20VA AT120B1028
16A	24V/120V RELAY SWITCH - Honeywell DSI Models only		JS-0568-CC	24V/120V Relay Switch
17	COMPONENT PLATE		JS-0581-SE	Component mounting plate SE
18	IGNITION CONTROL		See Next Page	
19	COMBUSTION AIR PROVING SWITCH		JS-0576-UG	Air Proving Switch 1.00" WC
20	BLOCKED FLUE PROVING SWITCH		JS-0577-RR	Blocked Flue Switch 0.46" WC
21	PRESSURE SWITCH TUBING		JS-0572-SE	Tubing set 2 x 20" PVC SE
22	INDICATOR LIGHTS		JW-0519-AM	Indicator light amber
			JW-0519-GR	Indicator light green
			JW-0519-RE	Indicator light red
23	ELECTRICAL CORD		JB-0567-XX	Cord - electrical 6'

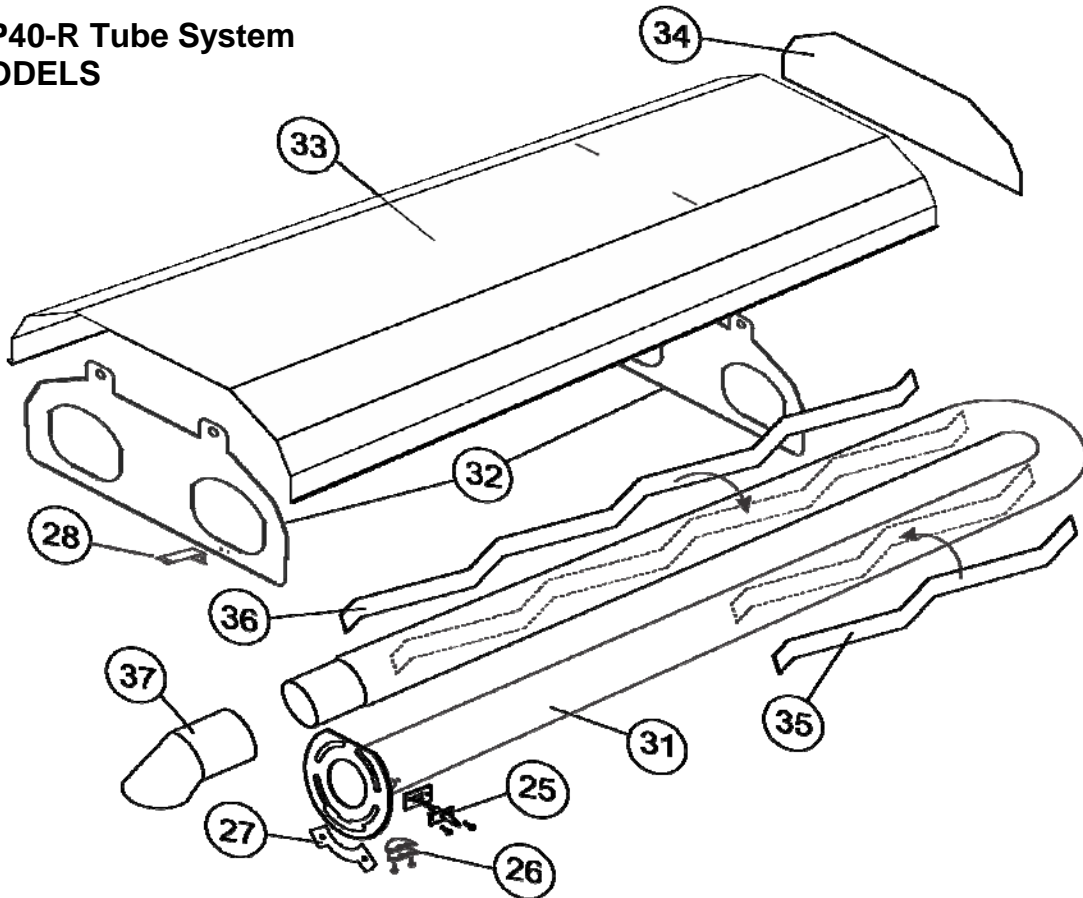
#	PART DESCRIPTION	MODEL	PART #	PART DESCRIPTION PRIMARY
Burners with FENWAL IGNITION CONTROL - Models: P40U-F; P40U-IF; P40-R-F				
18	FENWAL DSI CONTROL		JA-0567-XX	3-Trial 24Vac with blower relay
	REPLACEMENT KIT with FENWAL DSI	Replaces S87J	JA-0568-KT	Fenwal Control + Wire Harness + Cable + Igniter
24	IGNITION CABLE		JS-0518-SA	Hi voltage wire (24") STW - 2 x 1/4" Spades
BURNERS WITH HONEYWELL S87-J IGNITION CONTROL				
18	S87J IGNITION CONTROL	HONEYWELL S87J DISCONTINUED		Control DSI 24VAC S87J 1034
	REPLACEMENT KIT with FENWAL DSI	Replaces S87J	JA-0568-KT	Fenwal Control + Wire Harness + Cable + Igniter
24	IGNITION CABLE HONEYWELL S87J		JS-0518-XX	Wire high voltage (24") S87J Bullet Connection
25	IGNITER KIT		JA-0571-KT	Spark Igniter & Gasket Kit
26	SIGHT GLASS ASSEMBLY		JS-0536-XX	Sight glass assembly - tube heater
27	FLANGE WASHER PLATE		JS-0501-UW	Washer Plate - Bottom 2 Burner Studs/Nuts
28	TUBE FASTENING BRACKET		JS-0502-UV	Positions tube in hanger / reflector system
29	FLANGE GASKET		JS-0591-XX	Flange Adapter Gasket
30	FLAME RECTIFIER	-FA	JS-0592-RR	Flame Rectifier 40,000 Btuh

BURNER HOUSING & PARTS UNIQUE TO P40U-P, -W, -IP, -IW



#	PART DESCRIPTION	APPLICABLE	PART #	PART DESCRIPTION PRIMARY
W1	BURNER HOUSING: Indoor/Outdoor	P40U-P, -IP	JS-0582-WP-P	Powder Coated Burner Housing Wet Environment
		P40U-W, -IW	JS-0582-WP	Stainless Steel Burner Housing Harsh Environment
W2	BURNER HOUSING GASKET SET		JS-0591-WP	Housing gasket set
W3	AIR INTAKE GASKET	Each	JS-0601-WP	Air intake gasket
W4	COMBUSTION AIR INLET	P40U-P, -IP	JS-0583-WP	Powder Coated Combustion air inlet
		P40U-W, -IW	JS-0583-15	Stainless Steel Combustion air inlet
W5	SEALTIGHT CONNECTOR		JP-2036-XX	Connector liquid tight
W6	BURNER STABILIZING BRACKET		JS-0583-05-P	Burner suspension bracket
W7	WATERPROOF GROMMET		JP-2101-XX	Water proof butt connectors
W18	COMPONENT PLATE		JS-0583-41	component mounting plate
W22	IGNITION CONTROL		JB-0568-AA	Control - DSI 3 Try potted Gasliter 50N
W23	IGNITION CONTROL WIRING HARNESS		JB-0568-WH	3 Try potted spark DSI control wiring harness

**P40U, P40-R Tube System
ALL MODELS**



#	PART DESCRIPTION	SUPPLEMENT	PART #	PART DESCRIPTION PRIMARY
25	IGNITER KIT		JA-0571-KT	Spark Igniter & Gasket Kit
26	SIGHT GLASS ASSEMBLY		JS-0536-XX	Sight glass assembly - tube heater
27	FLANGE WASHER PLATE		JS-0501-UW	Washer Plate - Bottom 2 Burner Studs/Nuts
28	TUBE FASTENING BRACKET		JS-0502-UV	Positions tube in hanger / reflector system
31	PREFORMED U-TUBE		JS-0501-UT	Preformed U-Tube: 17 ft tube length
32	P40U HANGER		JS-0506-UH	P40U System Hanger
33	P40U REFLECTOR		JS-0502-UR	Reflector for P40U-xx
34	REFLECTOR END PLATE		JS-0502-UT	Reflector End Plate
35	P40U TURBULATOR 39" STAINLESS		JS-0533-SK	39" Turbulator In Burner Side Tube
36	P40U TURBULATOR 90"		JS-0533-UT	90" Turbulator In Vent Side Tube
37	OPTIONAL VENT CAP	Optional Item	JA-0528-XX	Horizontal wall 4" vent terminal