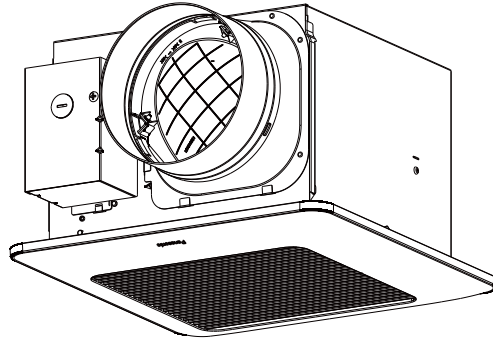


# Service Manual

Ventilating Fan  
(North America Market)



FV-1115VQ1

## ⚠ WARNING

This service information is designed for experienced repair technicians only and is not designed for use by the general public. It does not contain warnings or cautions to advise non-technical individuals of potential dangers in attempting to service a product. Products powered by electricity should be serviced or repaired only by experienced professional technicians. Any attempt to service or repair the product or products dealt with in this service information by anyone else could result in serious injury or death.

## IMPORTANT SAFETY NOTICE

There are special components used in this equipment which are important for safety. These parts are marked by in the Schematic Diagrams, Exploded Views and Replacement Parts List. It is essential that these critical parts should be replaced with manufacturer's specified parts to prevent shock, fire or other hazards. Do not modify the original design without the manufacturer's approval.

Please have a static electricity depletion process in place before handling these components..

Please use gloves when handling PCB parts during the repair process..

CONTENTS	PAGE
1.Specifiaction-----	1
2.Parts Identification -----	2~4
3.Wiring Diagram -----	5
4.Parts List-----	6~7

# 1. Specification

---

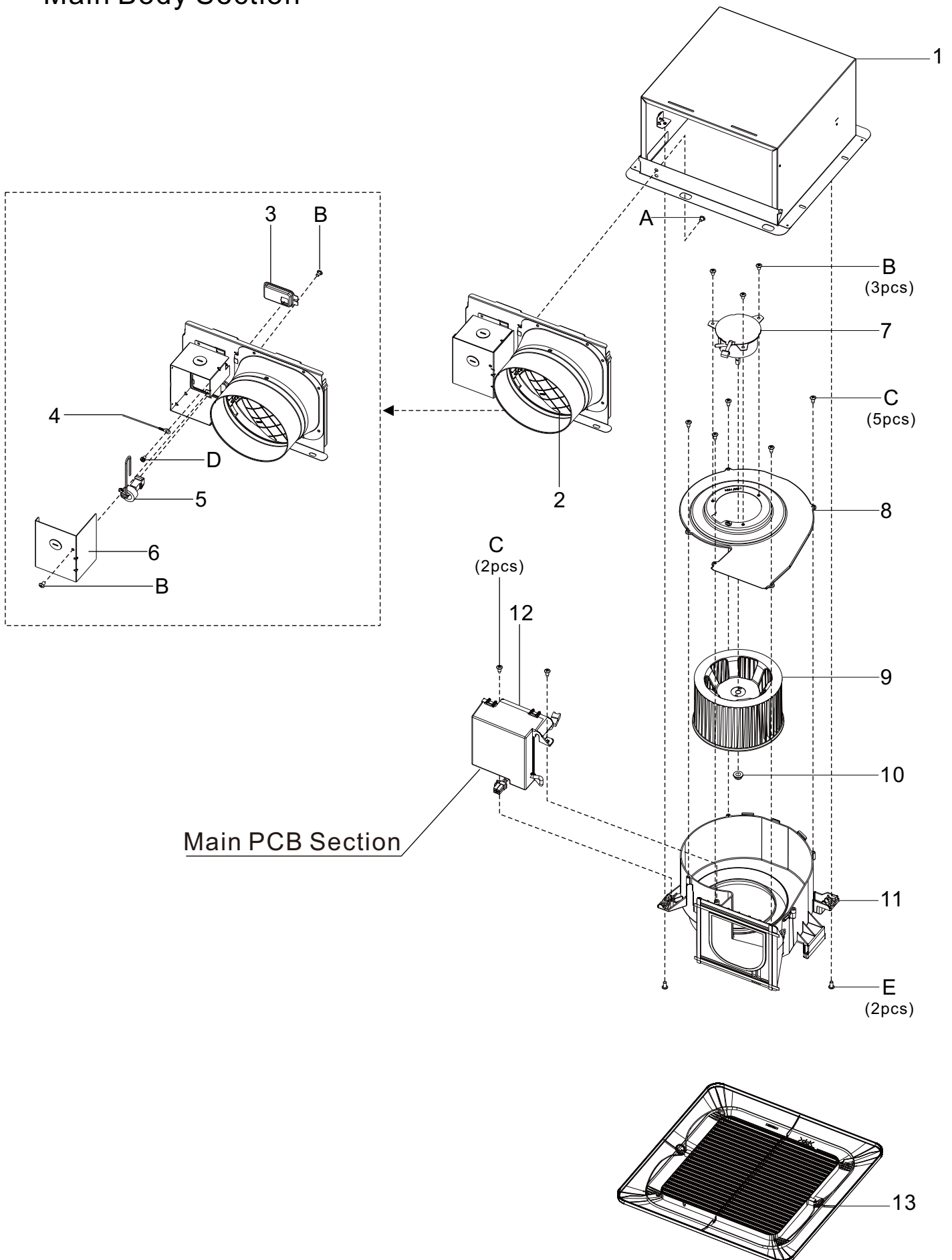
Model No.	Air direction	Voltage (V)	Frequency (Hz)	Duct diameter (Inches)	Air volume at 0.1"WG (CFM)	Noise (sones)	Speed (rpm)	Power (W)	Weight lb. (kg)
FV-1115VQ1	Exhaust	120	60	6	110	< 0.3	636	6.9	9.5 (4.3)
					130	< 0.3	671	9.1	
					150	< 0.3	698	11.9	

HVI Certified performance based on HVI Procedures 915, 916, and 920.

# 1. Parts Identification

FV-1115VQ1

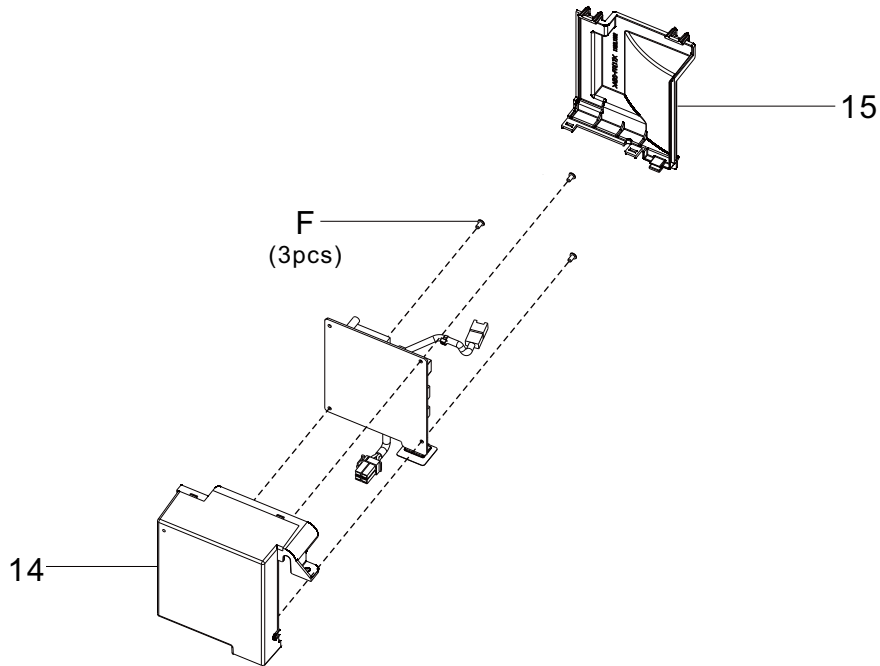
## Main Body Section



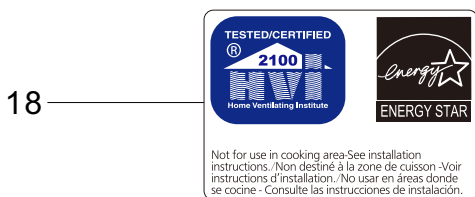
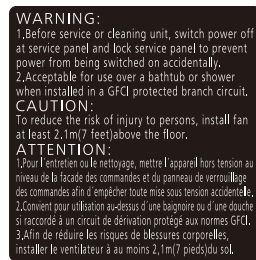
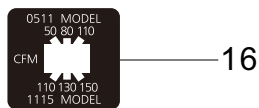
# 2. Parts Identification

FV-1115VQ1

## Main PCB Section



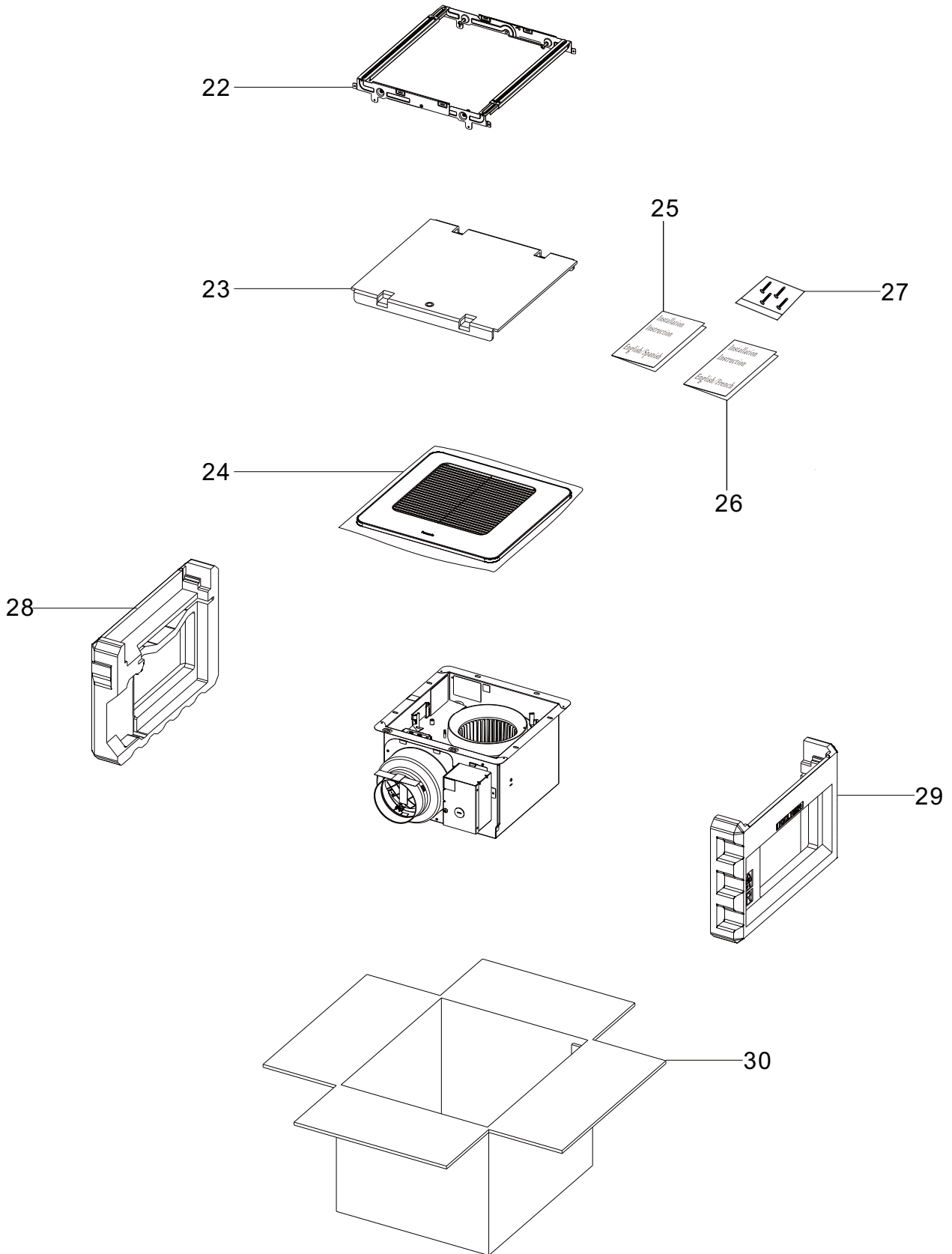
## Main Label



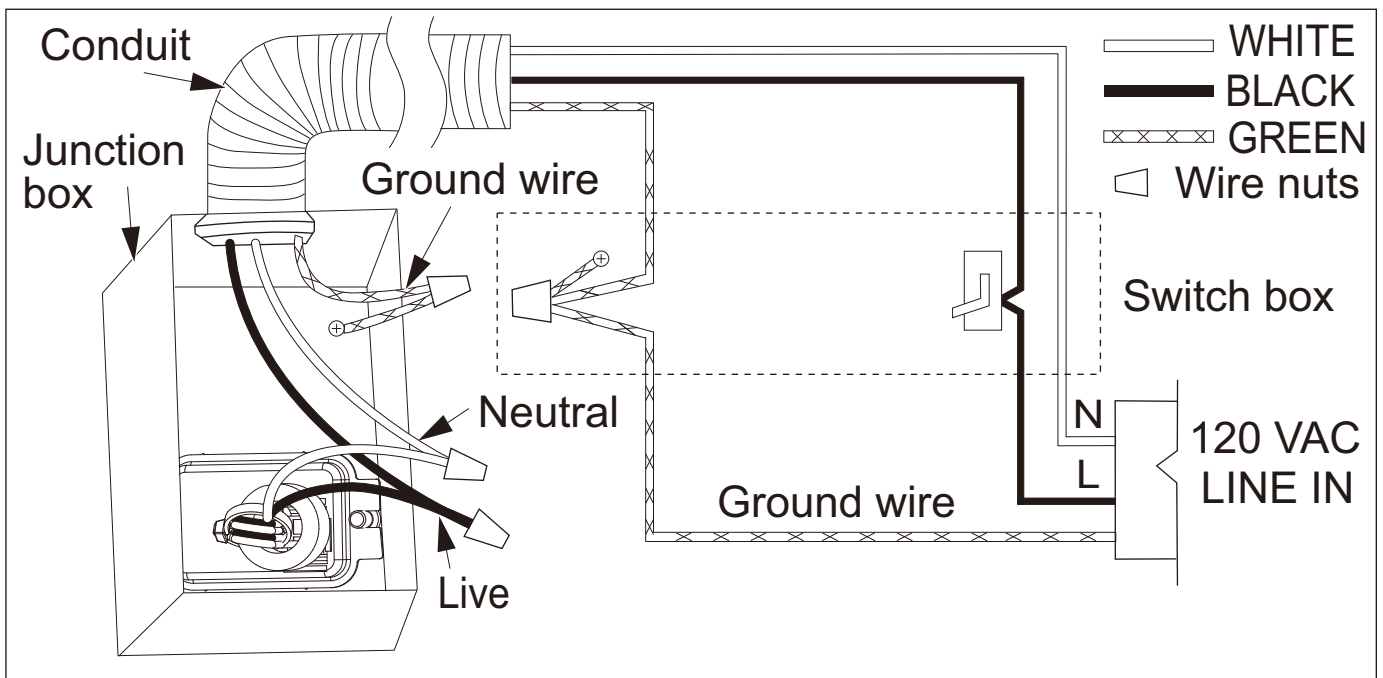
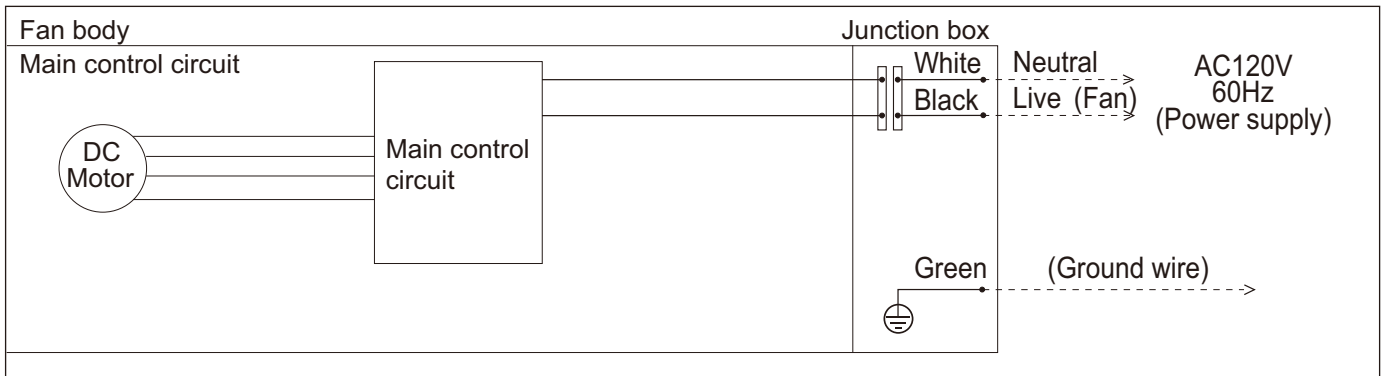
# 2. Parts Identification

FV-1115VQ1

## Packing Section



# 3. Wiring Diagram



## 4. Parts List

FV-1115VQ1

### Main Body Section

No.	Part No.	Part Name	Q'ty	Remark
1	FFV11QCL1900A	Frame Assembly	1	
2	FFV15VQ10910	Adapter Assembly	1	
3	FFV08VKS3M915	Connector Plate	1	
4	FFV11QCL1331	Ground Wire	1	
5	FFV11QCL1301A	Connector Assy	1	
6	FFV11QCL1912A	Junction Cover	1	
7	FFV11QCL1M20A	Motor	1	
8	FFVM15VQ10904C	Motor Support	1	
9	FFVM15VK10802B	Blade	1	
10	FFV25RG50810A	Nut	1	
11	FFVM15VQ10906B	Casing	1	
12	FFV1115VQL1UPCB	Main PCB section	1	
13	FFV1115VQ1A	Grill Assembly	1	
A	FFVXYM4-E8FJ	Screw (M4-8)	1	
B	FFVXTT4-8FFJ	Screw (ST4-8)	5	
C	FFVXTT4-12GFJ	Screw (ST4-12)	7	
D	FFVXYM4DC8BN	Screw w/Washer (M4-8)	1	
E	FFVXSB4-12FJ	Screw (M4-12)	2	

### Main PCB Section

No.	Part No.	Part Name	Q'ty	Remark
14	FFV15VQ10991D	Main PCB Box	1	
15	FFV11QCL1992C	MAIN PCB Cover	1	
F	FFVXTN3-8GFJ	Screw (M3-8)	3	

## 4. Parts List

FV-1115VQ1

### Main Label

No.	Part No.	Part Name	Q'ty	Remark
16	FFV11QCL1012A	CFM Label	1	
17	FFV15VQ10050	Name Plate	1	
18	FFV08VSL3M082A	Caution Label 1	1	
19	FFV08VQ3M0082A	Caution Label	1	
20	FFV08VQL5M051A	Warning Label	1	
21	FFV11KSL1M020	UL Mark	1	

### Packing Section

No.	Part No.	Part Name	Q'ty	Remark
22	FFV11QCL1920	Hanger Assy	1	
23	FFV08VQ3M0137A	Grill Pad Assy	1	
24	FFV11VK1M0010	Poly Cover	1	
25	FFV15VQ10420A	Installation Inst	1	English / Spanish For USA Market
26	FFV15VQ10421	Installation Inst	1	English / French For CANADA Market
27	FFV11KSL1M031A	Accessory A	1	
28	FFV11QCL1891	Left Pad	1	
29	FFV11QCL1892	Right Pad	1	
30	FFV15VQ10400A	Packing Case Assy	1	