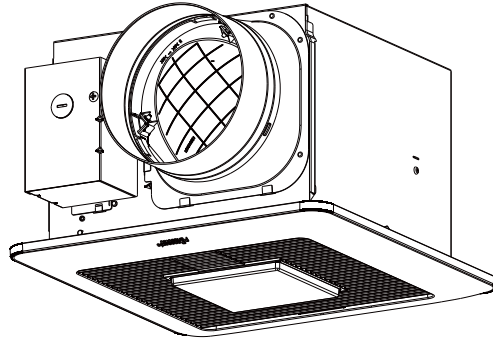


Service Manual

Ventilating Fan
(North America Market)



FV-1115VQL1

⚠ WARNING

This service information is designed for experienced repair technicians only and is not designed for use by the general public. It does not contain warnings or cautions to advise non-technical individuals of potential dangers in attempting to service a product. Products powered by electricity should be serviced or repaired only by experienced professional technicians. Any attempt to service or repair the product or products dealt with in this service information by anyone else could result in serious injury or death.

IMPORTANT SAFETY NOTICE

There are special components used in this equipment which are important for safety. These parts are marked by ⚠ in the Schematic Diagrams, Exploded Views and Replacement Parts List. It is essential that these critical parts should be replaced with manufacturer's specified parts to prevent shock, fire or other hazards. Do not modify the original design without permission of manufacture. We suggest to handle such parts after the static electricity prevention. It is forbidden to touch the PCB parts by bare hands during the repairing process.

CONTENTS	PAGE
1.Specification-----	1
2.Parts Identification -----	2~4
3.Wiring Diagram -----	5
4.Parts List-----	6~7

1. Specification

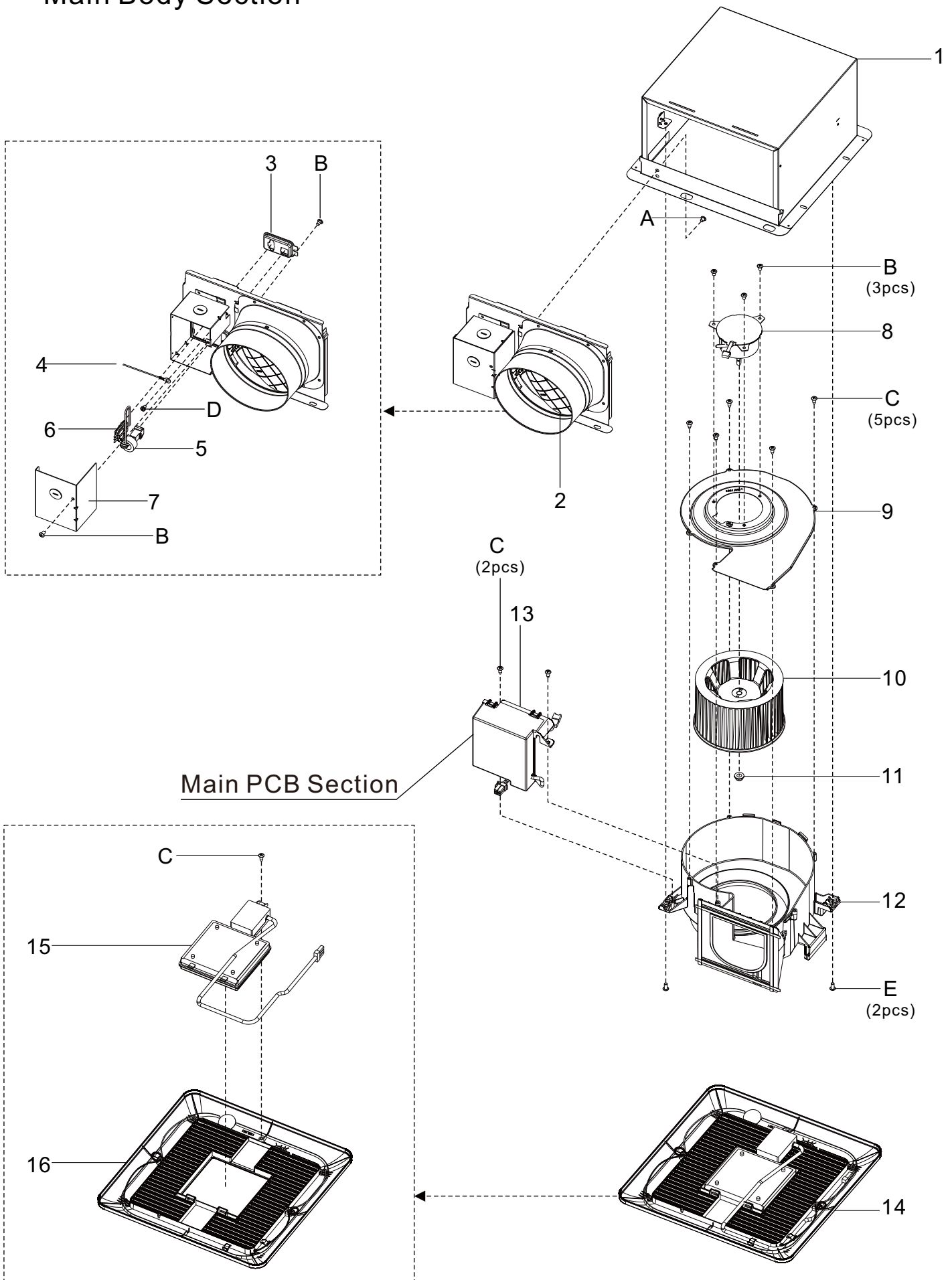
Model No.	Air direction	Voltage (V)	Frequency (Hz)	Duct diameter (Inches)	Air volume at 0.1"WG (CFM)	Noise (sones)	Speed (rpm)	Power (W)	Weight lb. (kg)
FV-1115VQL1	Exhaust	120	60	6	110	< 0.3	679	7.8	10.1 (4.6)
					130	< 0.3	722	10.4	
					150	0.5	740	13.1	

HVI Certified performance based on HVI Procedures 915, 916, and 920.

1. Parts Identification

FV-1115VQL1

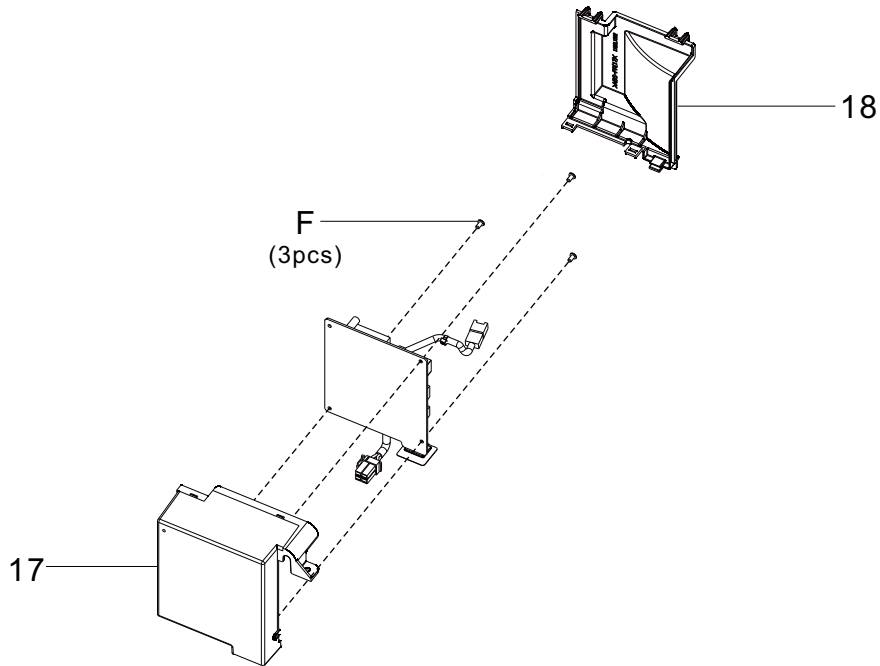
Main Body Section



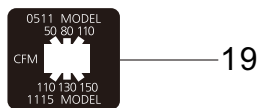
2. Parts Identification

FV-1115VQL1

Main PCB Section



Main Label



WARNING:
 1. Before service or cleaning unit, switch power off at service panel and lock service panel to prevent power from being switched on accidentally.
 2. Acceptable for use over a bathtub or shower when installed in a GFCI protected branch circuit.
CAUTION:
 To reduce the risk of injury to persons, install fan at least 2.1m/7 feet above the floor.
ATTENTION:
 1. Pour l'entretien ou le nettoyage, mettre l'appareil hors tension au niveau de la façade des commandes et du panneau de verrouillage des commandes afin d'éviter toute mise sous tension accidentelle.
 2. Convient pour utilisation au-dessus d'une baignoire ou d'une douche si raccordé à un circuit de dérivation protégé aux normes GFCI.
 3. Afin de réduire les risques de blessures corporelles, installer le ventilateur à au moins 2,1m/7 pieds du sol.

22



For grounding, please keep the screw firmly
 Pour la mise à la terre veuillez visser fermement

23

21

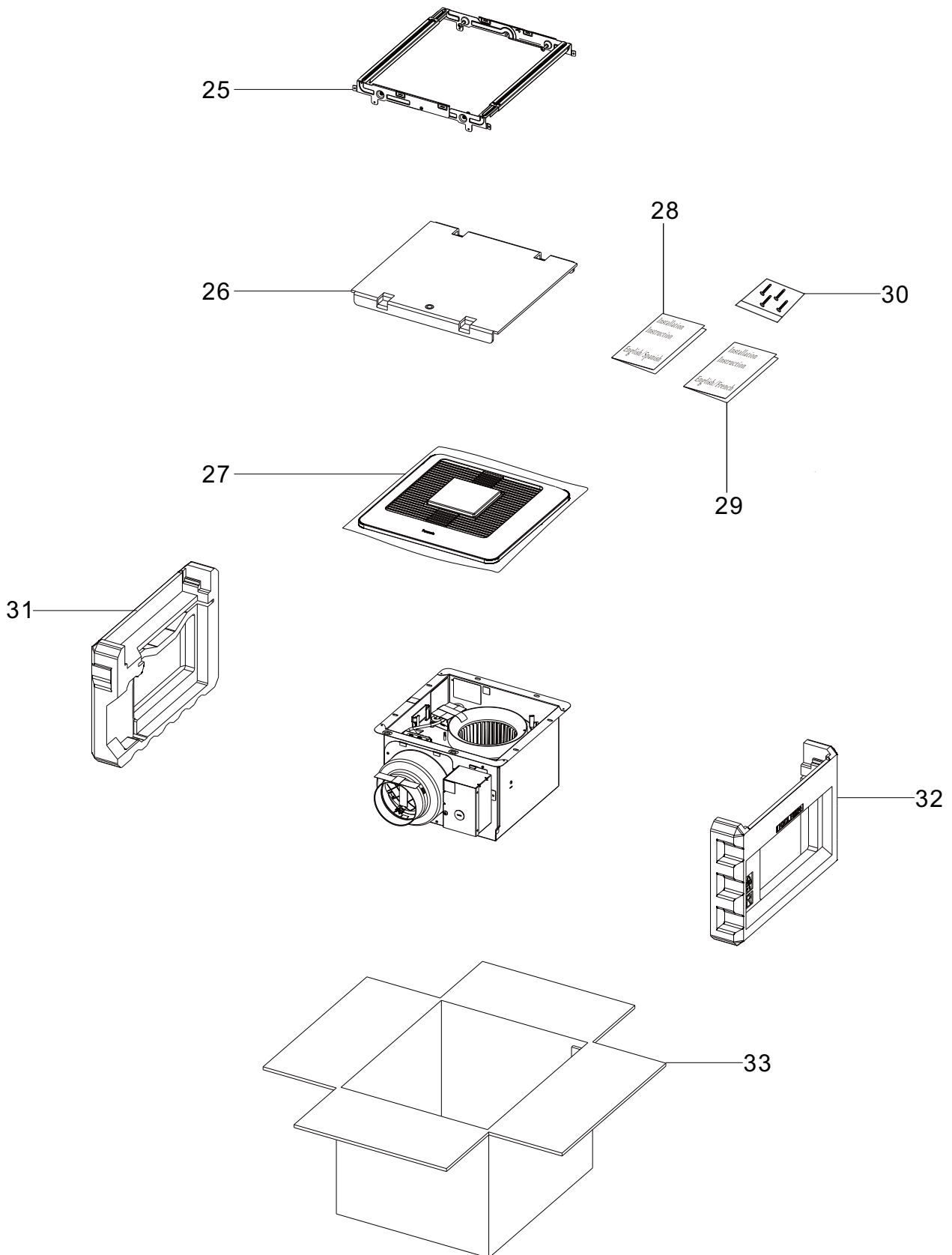


24

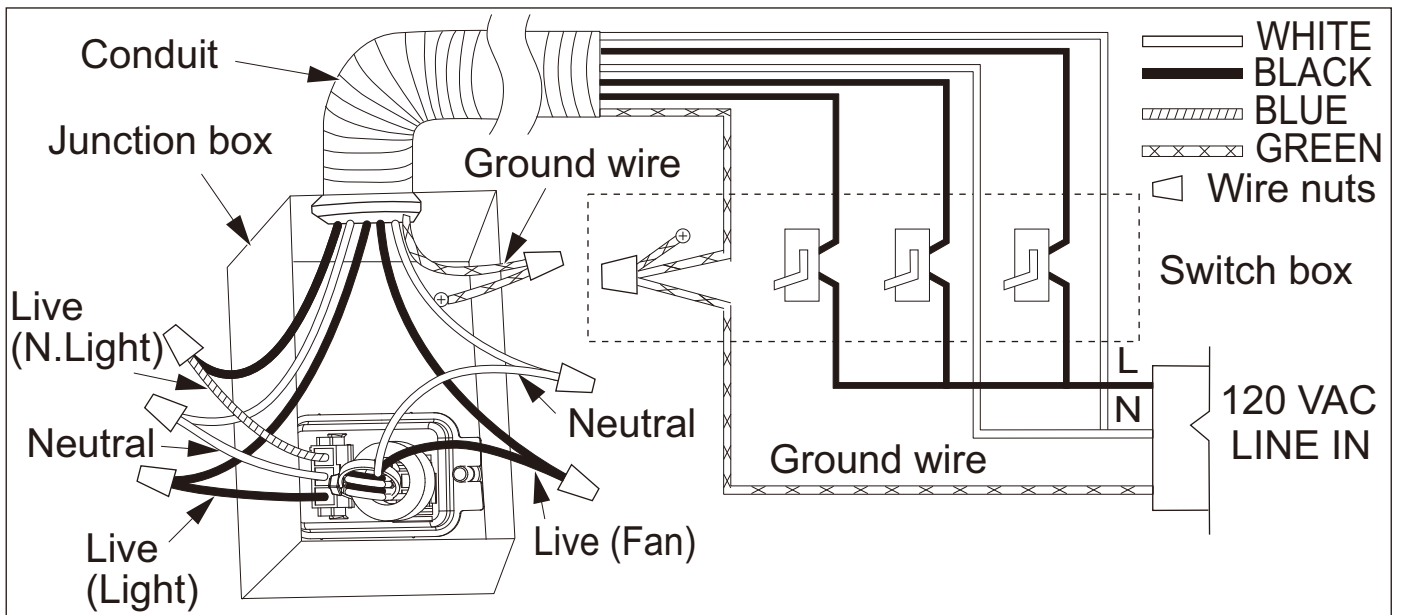
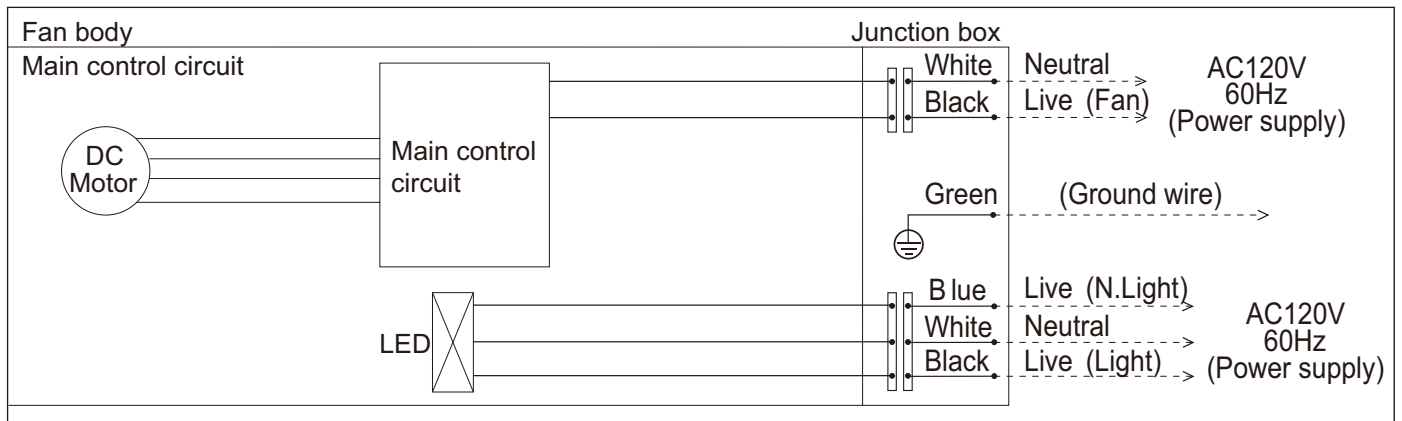
2. Parts Identification

FV-1115VQL1

Packing Section



3. Wiring Diagram



4. Parts List

— FV-1115VQL1 —

Main Body Section

No.	Part No.	Part Name	Q'ty	Remark
1	FFV11QCL1900A	Frame Assembly	1	
2	FFV15VQL1910	Adapter Assembly	1	
3	FFV11QCL1913	Connector Plate	1	
4	FFV11QCL1331	Ground Wire	1	
5	FFV11QCL1301A	Connector Assy	1	
6	FFV11QCL1341A	Connector Assy (L)	1	
7	FFV11QCL1912A	Junction Cover	1	
8	FFV11QCL1M20A	Motor	1	
9	FFVM15VQ10904C	Motor Support	1	
10	FFVM15VK10802B	Blade	1	
11	FFV25RG50810A	Nut	1	
12	FFVM15VQ10906B	Casing	1	
13	FFV1115VQL1UPCB	Main PCB section	1	
14	FFV0511VQL1A	Grill Assembly	1	
15	FFV510SCL070A	Led Unit	1	
16	FFV0511VQL1S	Grill Section	1	
A	FFVXYM4-E8FJ	Screw (M4-8)	1	
B	FFVXTT4-8FFJ	Screw (ST4-8)	5	
C	FFVXTT4-12GFJ	Screw (ST4-12)	8	
D	FFVXYM4DC8BN	Screw w/Washer (M4-8)	1	
E	FFVXSB4-12FJ	Screw (M4-12)	2	

Main PCB Section

No.	Part No.	Part Name	Q'ty	Remark
17	FFV15VQ10991D	Main PCB Box	1	
18	FFV11QCL1992C	MAIN PCB Cover	1	
F	FFVXTN3-8GFJ	Screw (M3-8)	3	

4. Parts List

— FV-1115VQ1 —

Main Label

No.	Part No.	Part Name	Q'ty	Remark
19	FFV11QCL1012A	CFM Label	1	
20	FFV15VQL1050	Name Plate	1	
21	FFV08VSL3M082A	Caution Label 1	1	
22	FFV08VQ3M0082A	Caution Label	1	
23	FFV08VQL5M051A	Warning Label	1	
24	FFV11KSL1M020	Holograph Label	1	

Packing Section

No.	Part No.	Part Name	Q'ty	Remark
25	FFV11QCL1920	Hanger Assy	1	
26	FFV08VQ3M0137A	Grill Pad Assy	1	
27	FFV11VK1M0010	Poly Cover	1	
28	FFV11QCL1420A	Installation Inst	1	English / Spanish For USA Market
29	FFV11QCL1421	Installation Inst	1	English / French For CANADA Market
30	FFV11KSL1M031A	Accessory A	1	
31	FFV11QCL1891	Left Pad	1	
32	FFV11QCL1892	Right Pad	1	
33	FFV15VQL1400A	Packing Case Assy	1	