

INSTALLATION INSTRUCTIONS

Neo Angle DELUXE FRAMED CONTINUOUS HINGE SHOWER ENCLOSURE



INSTALLATION NOTES: Unpack your unit carefully and inspect for freight damage. Lay out and identify all parts using the instruction sheet as a reference. Before discarding the carton, check to see that no small hardware parts have fallen to the bottom of the box. If any parts are damaged or missing, refer to the descriptions noted in the instructions when contacting your dealer for replacements.

Handle the glass panel(s) carefully and protect the edges.

Please wear safety glasses whenever drilling or cutting. When drilling holes in ceramic tile or marble, use a center punch and hammer to carefully break the surface glaze so the drill bit can start without skidding.

To install your Shower Enclosure you will need the following: tape measure, level(s), #2 Phillips-head screwdriver, drill, 1/8" & 3/16" High Speed Steel drill bits, hacksaw, pencil, sharp knife or razor blade and caulking (clear, mildew resistant silicone recommended). Optional tools include a miter box for cutting metal parts, file, center punch and masking tape. An additional 3/16" Masonry drill bit is recommended for tiled applications.

The enclosure is best installed with two people.

NOTE: Tempered glass cannot be cut.

Although safety tempered glass is very resistant to breakage, the glass can still break if unequal pressure is placed on it during installation. Use caution! In addition, the sharp corners of the door panels can damage tile and floor surfaces, so its best to handle the door panels carefully and protect the edges.

MAINTENANCE: Two primary materials are used to manufacture your new Shower Enclosure: tempered glass and anodized aluminum. To assure a long lasting finish on the enclosure, wipe it down with a towel after each use. Never use a scouring pad/agent to clean the aluminum.

For occasional, more concentrated cleaning efforts, we recommend using *LYSOL*TM Non-Abrasive Bathroom Cleaner works extremely well. Be sure that any over spray falling on the aluminum frame is rinsed thoroughly and dried. Many over-the-counter cleaners, if applied to aluminum and left on, will harm the finish and cause permanent damage, even though their directions indicate safe use on shower doors. For more care and cleaning information, please visit our web site;

www.BASCOSHOWERDOOR.com

For glass treated with AquaGlide^{xp}, read the following instructions:

After each use of your shower, use a small plastic bowl, pitcher or a hand held shower head to spray the shower doors with clean cold water. Pour or spray the cold water along the top edge of the glass. The majority of the shower's soapy residual water will drain off. Use a small hand towel to pat dry the remaining droplets or use a squeegee to clear the droplets.

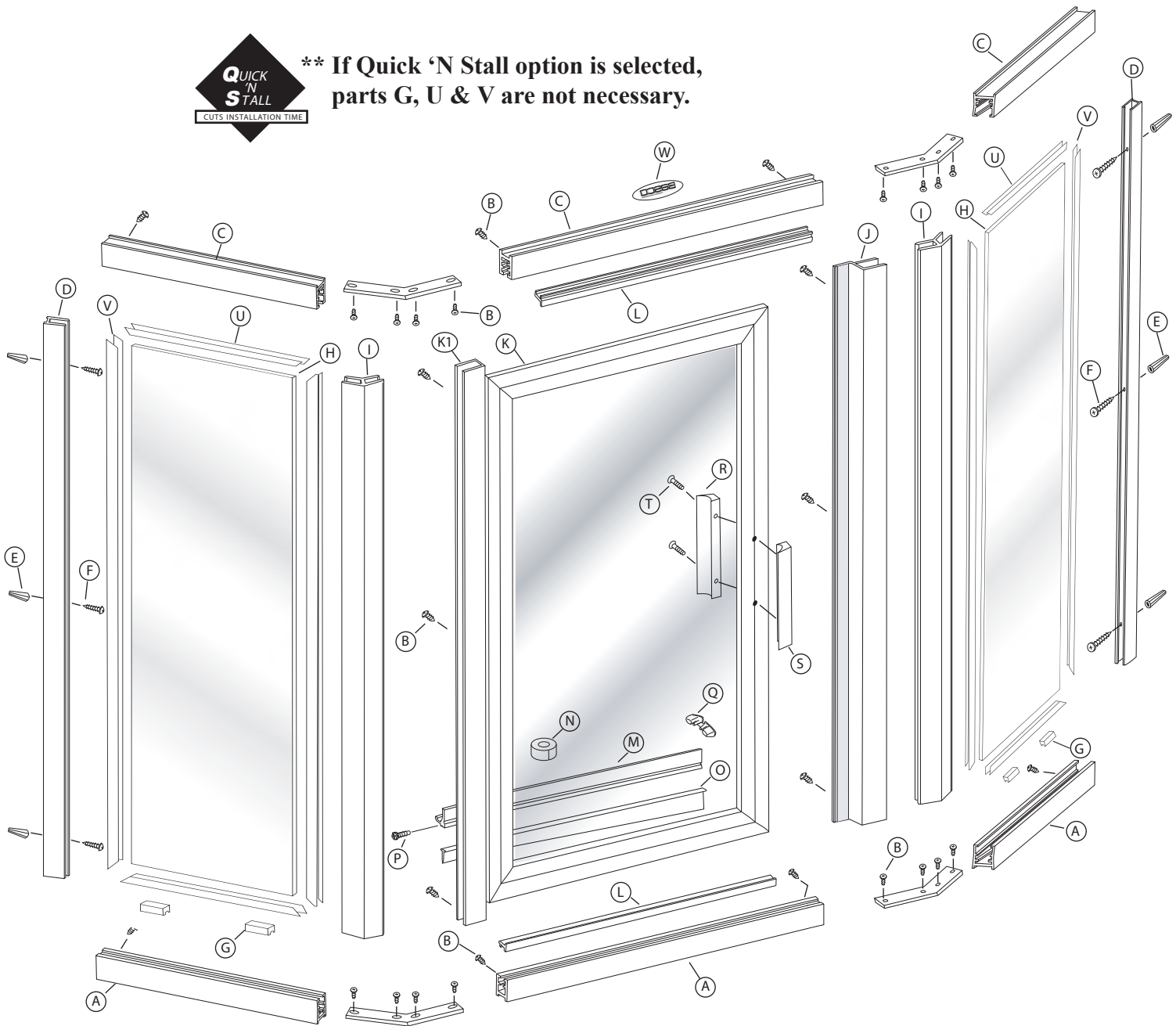
Once a month, use a nylon sponge to go over the wet glass, rubbing in a circular motion. You should feel "sticky" places going back to slick again. Then pour water along the top edge of the glass, as you do after each shower use.

Parts List

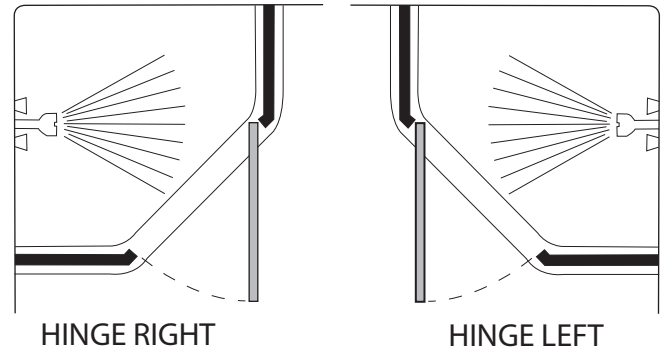
- A. Curb Assembly (w/ weep holes) (1)
- B. #8 x 1/4" Truss Head Screw (14)
- C. Header Assembly (2)
- D. Wall Jamb (2)
- E. Plastic Wall Anchor (6)
- F. #8 x 1 1/2" Truss Head Screw (6)
- G. Setting Block (4)
- H. Return Glass Panel (2)
- I. Corner Post (2)
- J. Strike Jamb w/ magnet (1)
- K. Door Panel Assembly (1)
- K1. Hinge Jamb
- L. Snap-in Filler (2)
- M. Drip Rail (1)
- N. Double Sided Tape (1)
- O. Tapered Drip Vinyl (1)
- P. #6 x 3/8" Screw (1)
- Q. Drip Plug (1)
- R. Interior Door Handle (1)
- S. Exterior Door Handle (1)
- T. #6-32 X 1 1/4" Round Head Screw (2)
- U. Vertical Glazing Vinyl (8)
- V. Horizontal Glazing Vinyl (8)
- W. Decal (1)



**** If Quick 'N Stall option is selected, parts G, U & V are not necessary.**



1 The Framed Continuous Hinge Shower door panel is completely reversible and may be installed hinge right or hinge left. For maximum waterproofing, the door should hinge off of the panel opposite the shower head wall. (see illustration) Careful as to not follow the illustrations exactly.

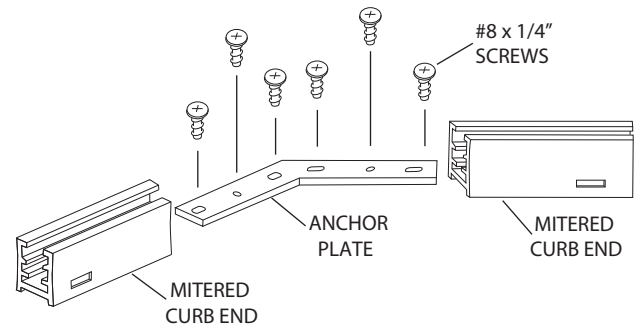


CAUTION: For safety reasons, the door must *always open outward*.

TIP: Temporarily cover the drain on the inside of the shower with some tape or a large piece of cardboard to prevent small parts or screws from disappearing.

**** Skip step #2 if header and curb sections are pre-assembled ****

2 Assemble the three curb sections (w/ weep holes) [A] by sliding an anchor plate into the mitered ends and forcing the sections together. The weep slots in the curb must be to the inside. Using the *slotted* holes in the anchor plate as a guide, drill matching 1/8" holes into the curbs. Be sure the mitered ends are tight against each other. Secure the anchor plate to the curb sections with four #8 x 1/4" truss head screws [B]. Be sure there is no gap in the mitered joint when tightening. Drill and install two screws through the round holes in the bracket as well.

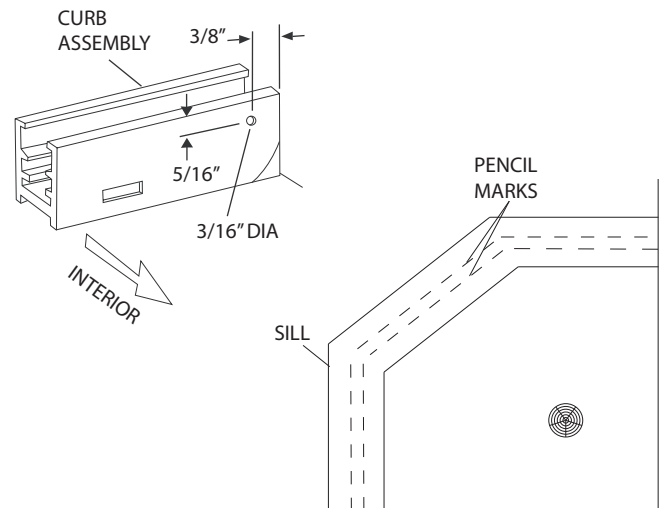


Assemble the three header sections [C] in the same manner, if necessary.

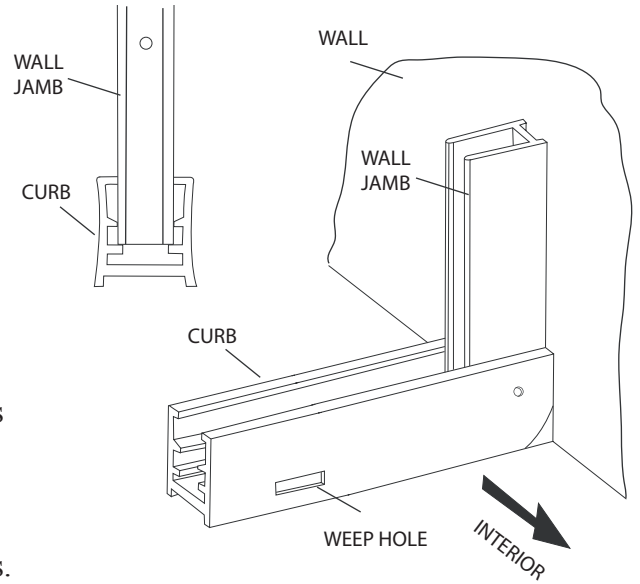
3 Using a 3/16" high speed steel drill bit, drill the interior face of the curb *at both ends* as shown. These holes may be predrilled from the factory.

Place the curb assembly on the shower sill. The assembled curb will sit near or on the center line of the shower sill. If required, use a file to round the ends of the curb assembly to tightly fit the shower opening.

Mark its location with a pencil along the interior and exterior the full length of all three curb sections.



4 Place one wall jamb [D] into the curb against the wall. Using a level, plumb the wall jamb and mark the hole locations on the wall with a pencil. Repeat this step for the other wall jamb. Remove all parts and drill the holes.
TIP: Tape can be used to temporarily hold the curb in place.



Tile or marble walls:

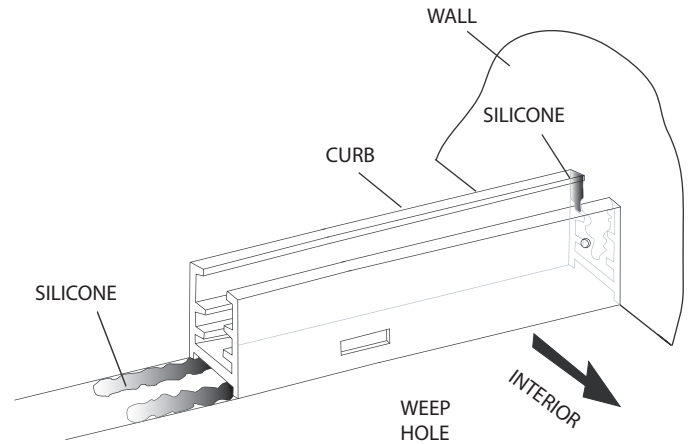
Drill 3/16" diameter holes into the walls and insert the plastic wall anchors [E].

Fiberglass or acrylic units can be done two different ways.

If the walls are not reinforced, drill 3/16" diameter holes and insert the plastic wall anchors. (Toggle bolts may be used instead but they are not provided).

If the walls are reinforced, only drill 1/8" diameter holes.

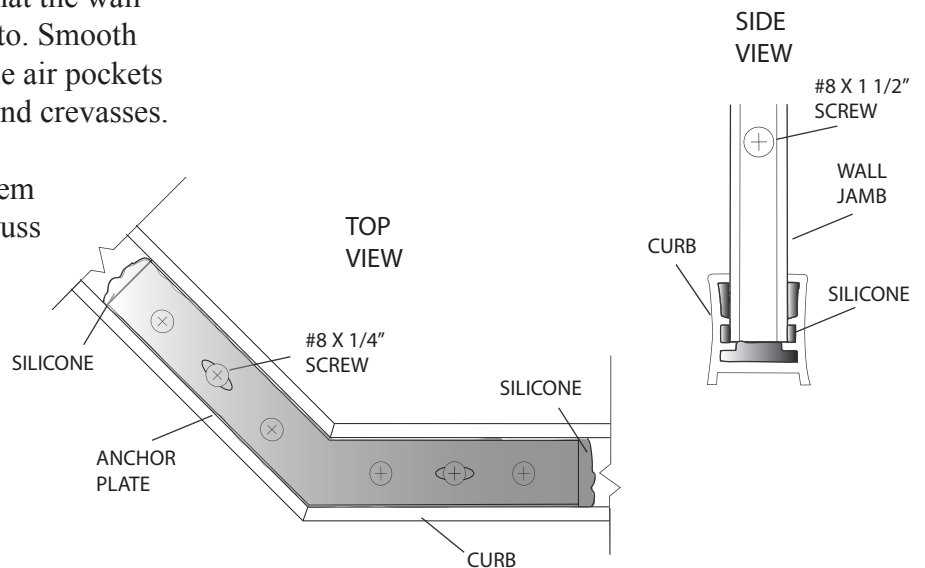
5 Wipe the shower walls, sill, curb & wall jambs with a clean, dry cloth to remove any dust or debris. Apply a 1/4" bead of silicone along the inside of the pencil lines that were marked in Step #3. Carefully place the curb on the sill, over top the silicone, in the position marked.



Silicone the inside of the curb at both ends where it meets the wall, over the anchor plate and screws as well as the inside of the mitered joint.

TIP: Angle the tip of the silicone tube so that silicone fills under the two "legs" in the curb that the wall jambs sit on and anchor plate slides into. Smooth out with your finger to remove possible air pockets and force the silicone into the cracks and crevasses.

Replace both wall jambs and attach them to the walls with the six #8 x 1 1/2" truss head screws [F].

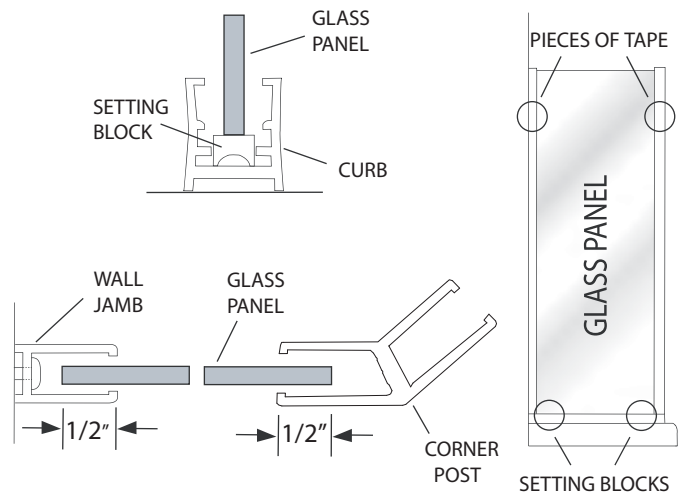


6 Place four setting blocks [G] into the curb, flat side up, to support the stationary glass panels (two blocks per panel). Position the blocks so they are centered about 3" from each corner of the glass panels. Set the stationary glass panels [H] into the curb on the setting blocks and slide into the wall jamb approximately 1/2". A piece of tape positioned 1/2" from the vertical edge will help placement.

NOTE: Patterned glass panels should be installed with the rough or patterned surface on the exterior of the enclosure.

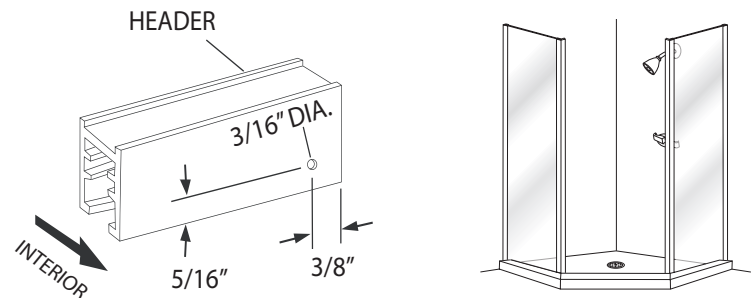
Press the corner posts [I] into the curb assembly. They should overlap the return glass panel by 1/2". Use masking tape to hold their position temporarily.

NOTE: Depending on any out of plumb or level conditions, the panel/metal overlap might vary from 1/4" to 3/4". Use a level to determine if this is necessary.



NOTE: If the Quick N' Stall option was selected, the setting blocks are not used. Set the glass panel in place and press down until it snaps into the curb.

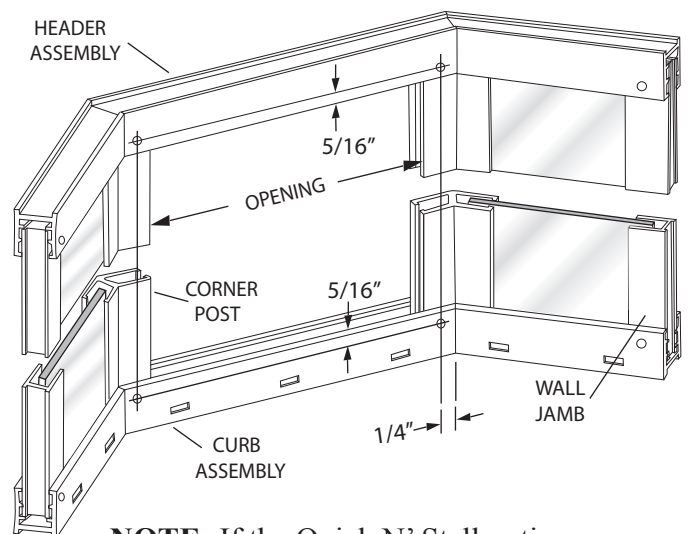
7 Using a 3/16" high-speed steel drill bit, drill the interior face of the header assembly on both ends where it meets the wall as shown. These holes may be pre-drilled from the factory.



8 Press the header assembly over the wall jambs and corner posts. Check both sides of each corner post for plumb. Adjust as required by varying the overlap of the header over the wall jambs.

Using the 3/16" holes in the ends of the header and curb as a guide, drill four 1/8" holes into the wall jambs. Also, drill two holes through the header and curb and into the corner post as shown. Enlarge the holes in the header and curb only, not the post, to 3/16" to allow for clearance of the screws. Secure the header and curb to the wall jambs and corner post using eight #8 x 1/4" truss head screws [B].

CAUTION: Slide the glass panel away from the walls and posts when drilling to prevent the glass panel from breaking.



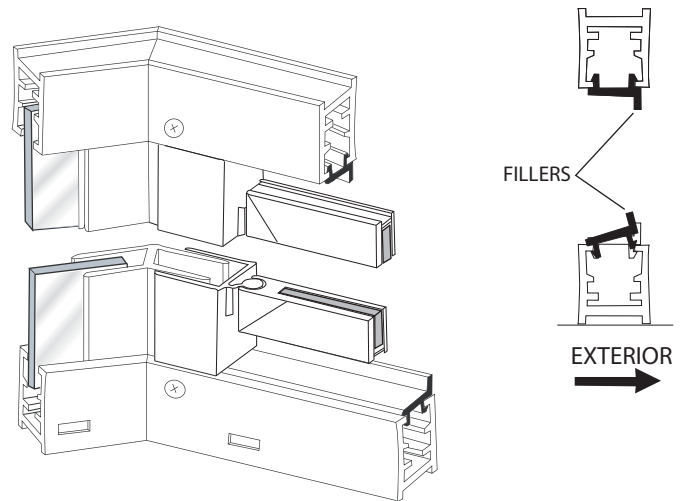
NOTE: If the Quick N' Stall option was selected, put the header in place and press down until it snaps over the vinyl.

9 Slide the strike jamb [J] over one of the corner posts. Be sure that the magnet is facing the exterior. Use a piece of tape to temporarily hold it in place.

Orient the door to the opening (either hinge right or hinge left). Grab the door from the inside (the open side of the hinge jamb should be away from you).

Carefully lift the door [K] into the opening and slide the hinge jamb [K1] over the other corner post.

Holding the door in the open position, press the snap-in fillers [L] into the header and the curb, **WITH THE RAISED LIP TO THE EXTERIOR.** (see illustration)



10 Center the door in the opening by sliding the hinge jamb over the corner post until the space between the door and the header is **even** from hinge side to strike side and the hinge jamb is as close to **plumb** as possible.

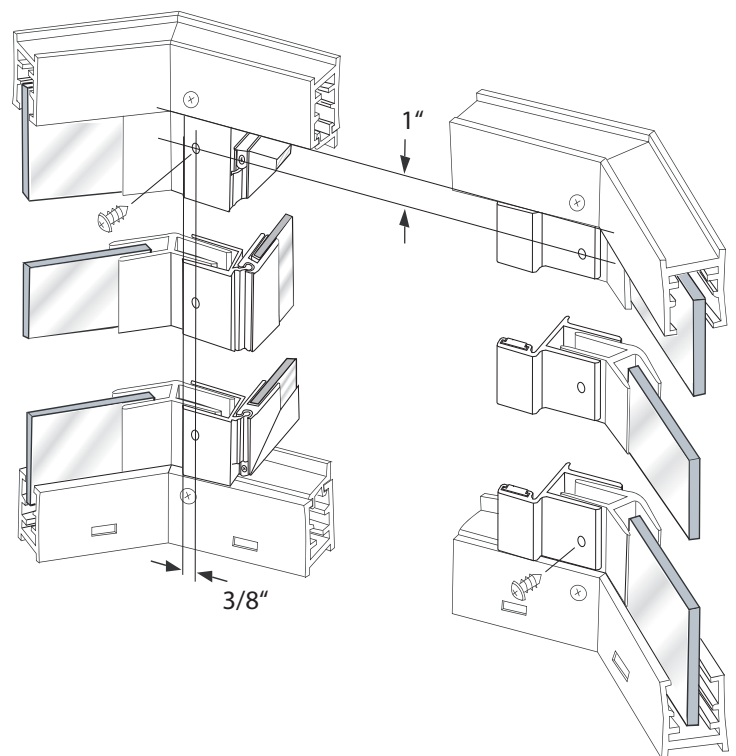
From the inside of the enclosure, drill two 1/8" holes through the hinge jamb and into the post approximately 1" from the ends of the hinge jamb at the top and bottom and approximately 3/8" from the edge of the open side of the hinge jamb (see illustration). Drill a third hole, in line with the first two and centered between them.

Enlarge the three holes in the **hinge jamb only** with a 3/16" drill bit for clearance of the truss head screws. **CAREFUL: DO NOT** enlarge the holes in the post.

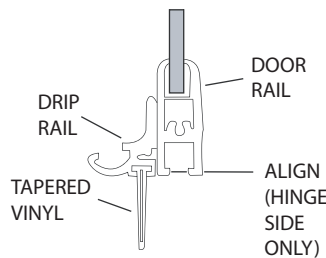
Attach the hinge jamb permanently with three #8 x 1/4" truss head screws.

Slide the snap-in fillers tight against the hinge jamb. Slide the strike jamb tight against the snap-in fillers. With the hinge jamb plumb and both fillers tight between both jambs, the strike jamb will be parallel to the hinge jamb.

Drill and attach the strike jamb in the same manner as the hinge jamb.

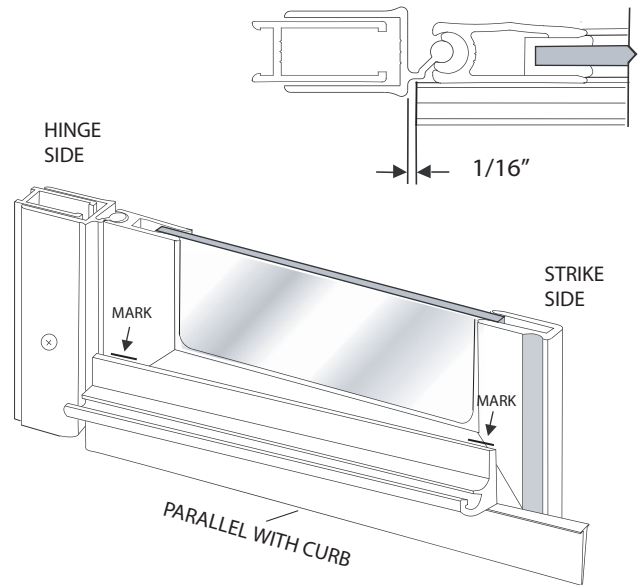


11 Clean the bottom door rail and the drip rail [M] thoroughly to ensure proper adhesion. Unroll the double stick tape [N] and carefully apply it to the flat back side of the drip rail. (**DO NOT** peel the tape backing yet)



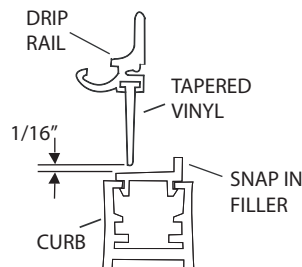
Insert the tapered drip vinyl [O] with the short side of the vinyl on the hinge side of the rail.

Position the drip rail so that the bottom is flush with the bottom of the door rail *on the hinge side*, and is 1/16" from the continuous hinge jamb. (see illustration)



Raise the drip rail on the strike side until the bottom edge of the tapered drip vinyl is parallel to the curb. Mark the horizontal location of the drip rail on both sides.

12 Hold the drip rail in place and adjust the drip vinyl by sliding it left or right until there is a 1/16" gap between the bottom of the vinyl and the top of the snap-in-filler. Trim the vinyl flush with the hinge side of the rail and 3/8" longer on the strike side. Notch the top of the drip vinyl. (see illustration)

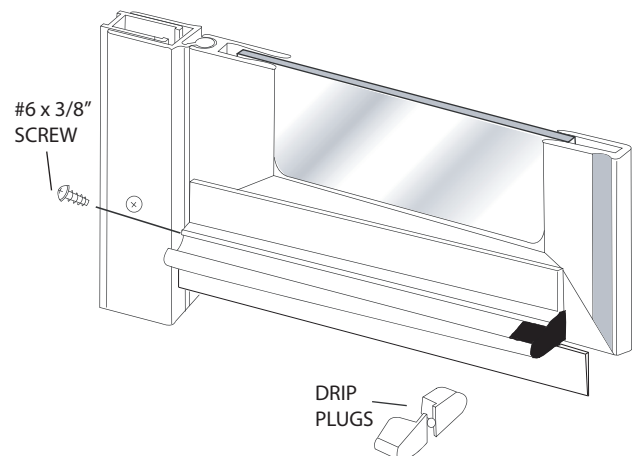


Install the #6 x 3/8" screw [P] into the hinge side of the drip rail. Separate the two drip plugs [Q] and install the correct one into the strike side of the drip rail. Discard the other unused plug.



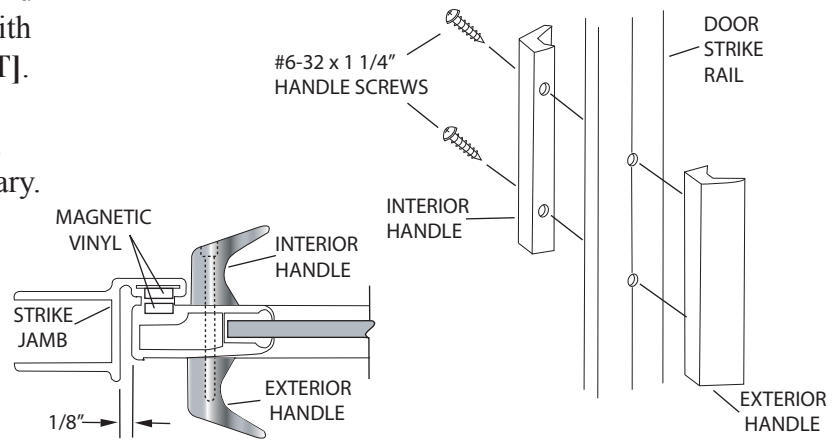
Peel off the tape backing and carefully press the drip rail assembly to the door in the marked position.

TIP: Place a small bead of silicone along the top of the drip rail between the rail and door frame to help prevent water and cleaners from loosening the tape over time.



13 Attach the interior door handle [R] and exterior door handle [S] to the door panel with the two #6-32 x 1 1/4" round head screws [T].

Close the door and check the clearance with the strike jamb. Loosen and adjust if necessary.







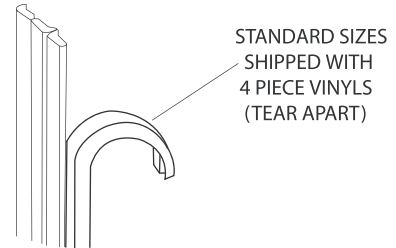
****Skip steps 14 - 16 if Quick 'N Stall option was selected****

14 Inspect the strips of black glazing vinyl and note the two different profiles. The flat shaped vinyl [U] is installed vertically and the crescent shaped vinyl [V] is installed horizontally. There should be a total of eight (8) individual vertical and eight (8) individual horizontal pieces of vinyl about a 1/2" wide each. (May need to peel apart from a wider strip).

These vinyls are designed to fit tightly between the glass and metal frame. **TIP:** Wet the glass and vinyl with water or glass cleaner immediately before installing vinyl and use a small block of wood to press the vinyl into place.

NOTE: Different glass sizes require different vinyl. Refer to the chart for clarification if installation is extremely difficult.

FIXED GLASS PANEL	VERTICAL	HORIZONTAL
1/4" GLASS REQUIRES :	V-219 	V-220 
3/16" GLASS REQUIRES :	V-226  GROOVE	V-225  GROOVE



15 Cut the eight (8) pieces of vertical vinyl [U] 1" longer than the vertical opening. Verify that the depth of the glass into the post and wall jamb is sufficient and even (refer to Step #6).

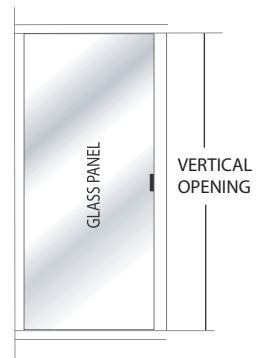
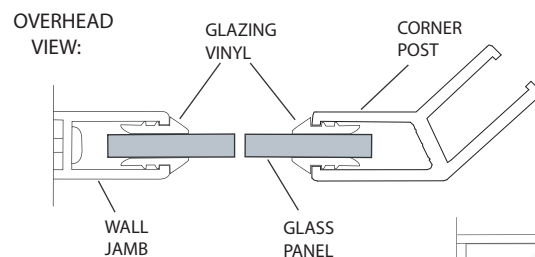
Starting on the exterior, slide one end of the vertical vinyl up into the header and press it into the wall jamb about 6" down.

Apply light pressure against the interior of the glass panel to hold the exterior vinyl in place and install vinyl on the interior in a similar fashion. Press the vinyl into the wall jamb alternating between the interior and exterior.

Remove the tape from glass surface before installing the vinyl.

Caution: Do not stretch the vinyl when pressing into place.

Repeat above steps for the corner post.

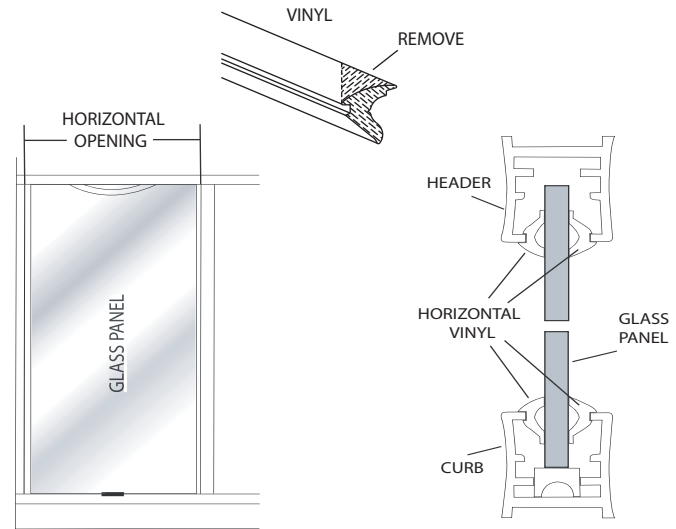


16 Cut the eight (8) pieces of the horizontal vinyl [V] 1/2" longer than the horizontal opening. Cut both ends of the vinyl with a back mitre so that they sit tight against the face of the vertical vinyl. (see illustration)

Starting at the top on the exterior, place the vinyl against the glass (open side against glass) and press into the header at both corners. Continue pressing vinyl into the header from both ends working toward the middle.

Install the top interior vinyl on the same panel.

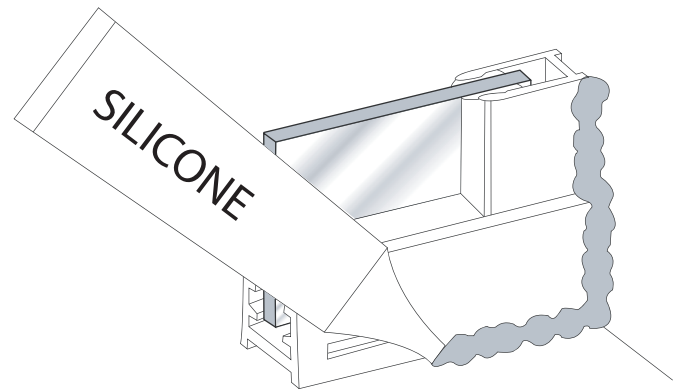
Repeat the above steps for the bottom of the panel as well as both the top and bottom of the other panel.



17 Carefully silicone the seam between the walls and the wall jambs as well as the curb and threshold on the inside of the shower.

NOTE: Silicone on the exterior seam is optional.

DO NOT USE the shower until the silicone is completely cured. Check the tube of silicone for the manufacturer recommended cure time. (typically 24 - 48 hours)



NOTE: Do not silicone over the weep holes

18 Peel off the backing on the BASCO decal [W] and apply it to the inside surface of the header.

