

LU160 LUMINATOR W/PIR SENSOR



BRONZE



WHITE

PROJECT: _____

DATE: _____

TYPE: _____

PREPARED BY: _____



FEATURES

- **Time-adjustable** stepless dimming
- **Field-adjustable** light output and color temperature (Tunable white 3000-5000K)
- 160° Maximum detection angle
- 50ft Maximum detection range
- **Customizable** threshold daylight sensor (PHOTOCELL), hold time (TIME) and sensor sensitivity (SENS)
- Passive infrared occupancy sensor with mounting up to 50'
- Suitable for **wet** locations



TECHNICAL SPECS

Operating voltage	120 Vac @ 60Hz
Operating current	0.17A
Light output	10% to 100% stepless dimmer
Detection area / Sensor sensitivity	30% ~100%
Detection area	Maximum diameter 50ft
Hold time	5s~10min
Threshold daylight sensor	5~2000 Lux
Color temperature (Field-Adjustable)	3000K to 5000K
Detection angle	160°
Mounting height	Max 10 Feet (Wall or Eaves mounted/Ceiling mounted)
Detection range	Max radius 50 ft (wall mounted)
Operating temperature	-20°C to 50°C (-4°F to 122°F)
IP rating	IP65
Surge Protection	1kV
Lifespan	100,000-Hour LED lifespan based on IES LM-80 results and TM-21 calculations
IC	ASCHIP
Dimming	0-10V
Light Output (lm)	2,096

LU160 LUMINATOR W/PIR SENSOR



CONSTRUCTION

HOUSING MATERIAL	Polycarbonate
LENS MATERIAL	Polycarbonate
REFLECTOR MATERIAL	Polycarbonate

PERFORMANCE

LU160	3000K	5000K
Input Watts	19.4	19.3
Light Output (lm)	2,023	2,096
Efficacy (lm/W)	104.3	108.6
CRI	83	83
Voltage	120V	120V
THD	11.36%	11.25%
Power Factor	98.2%	98.3%

PIR SENSOR FACTORY SETTINGS

DIMMER	2,096lm
COLOR TEMPERATURE	4000K
LUX	NIGHT ONLY
TIME	1 MIN
SENSITIVITY	25 ft

ELECTRICAL

AMPS (120V)	0.17A
EFFECTIVE PROJECTED AREA	2000 ft ²
SURGE PROJECTION	1kV

COMPLIANCE

This product is on the Design Lights Consortium (DLC) Qualified Products List and is eligible for rebates from DLC Member Utilities. Designed to meet DLC 5.1 requirements.

DLC Product Code: S-8WLTMS

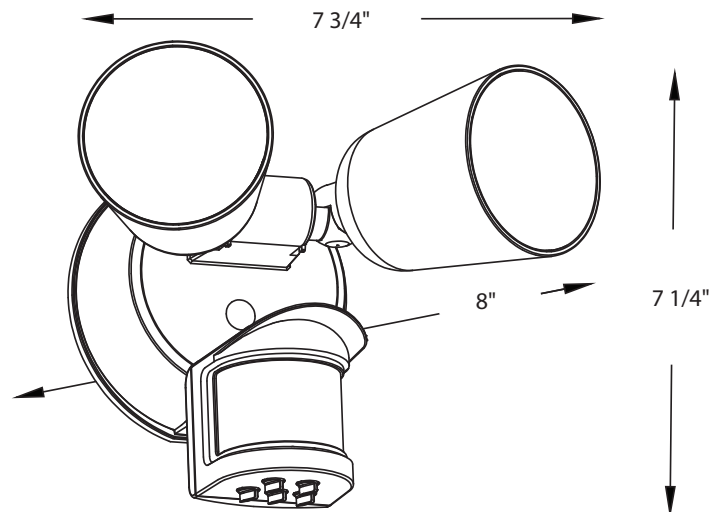
WARRANTY

The RAB 5-year, limited warranty covers light output, driver performance and paint finish. RAB's warranty is subject to all terms and conditions found at rablighting.com/warranty.

DIMENSIONS

LU160

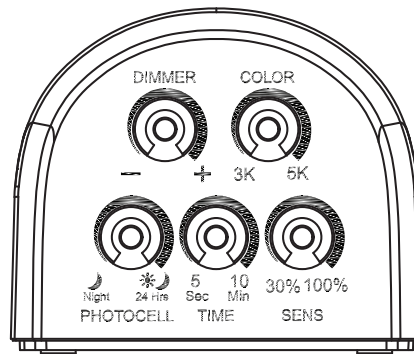
Weight: 1.5 lbs



LU160 LUMINATOR W/PIR SENSOR

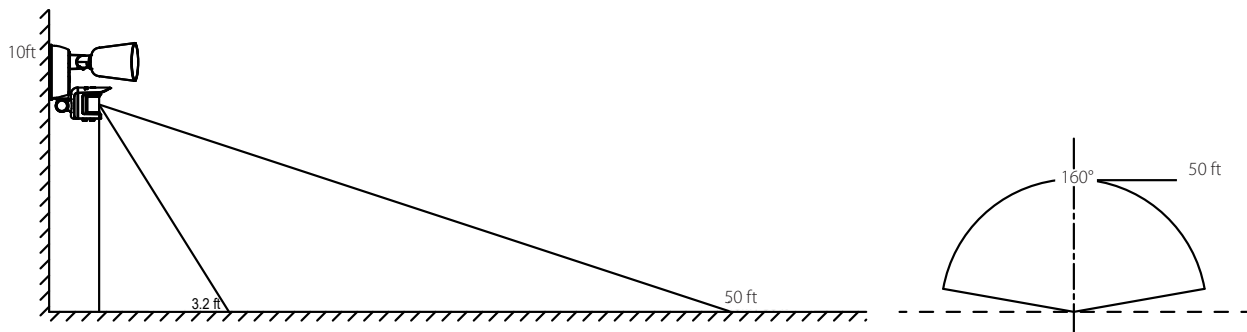


TUNABLE SWITCH SETTINGS



SWITCH	MINIMUM SETTING (from)	MAXIMUM SETTING (Up to)
DIMMER	0% brightness	100% light output
COLOR	3000K	5000K
PHOTOCELL	The light turns on only when it is dark enough	The light will turn on in the daylight, sunset or in the darkness
TIME	The light turns OFF after 5 sec. when no motion is detected.	The light turns OFF after 10 min. when no motion is detected.
SENS	30% for short detection range (min 10 ft.)	100% for long detection range (max 50 ft.)

DETECTION COVERAGE



ORDERING MATRIX

LU160

Family	Wattages	Color Temperature	Finish	Voltage Ratings
LU160	BLANK 20W	BLANK 3000K to 5000K, Tunable	BLANK W Bronze White	BLANK 120V