



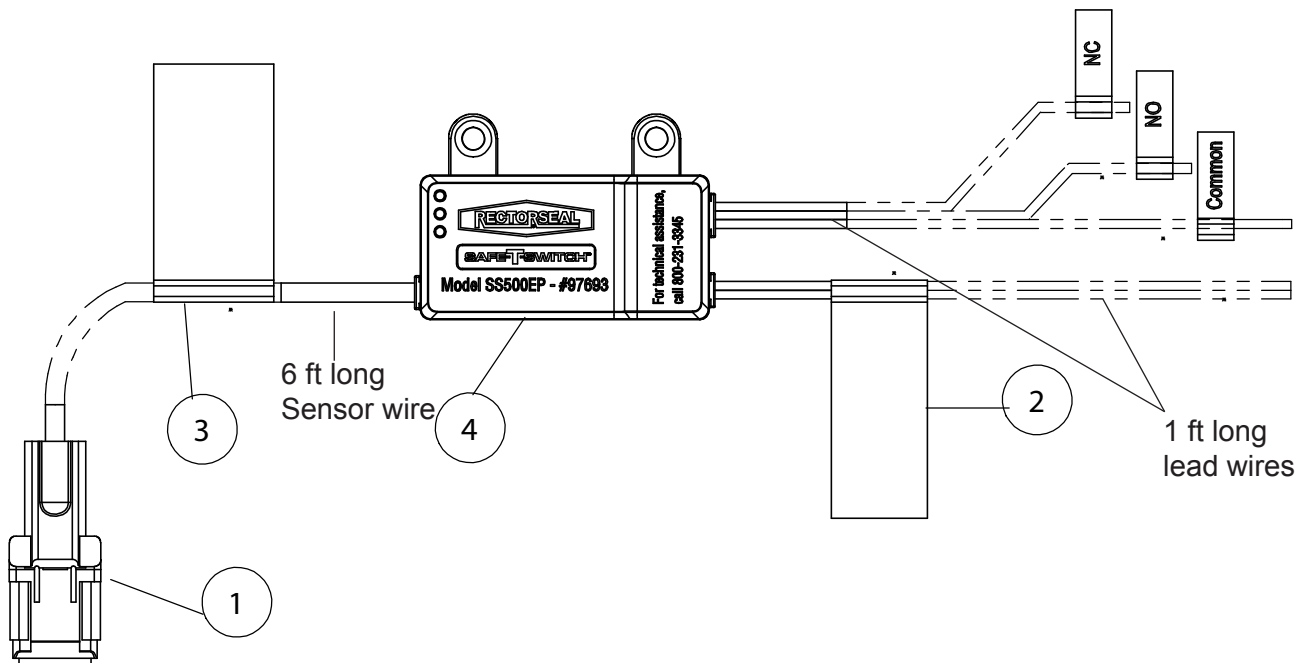
IND. CONT. E.Q.
25XE

Safe-T-Switch® Model 500EP

Description:

Safe-T-Switch® Model SS 500EP is an overflow shut-off switch designed to fit in the primary drain pan when plenum rating is needed. Its small size and slim profile makes it great for use on commercial rooftop downflow units.

The SS 500EP's logic circuit continuously samples the probes for water and shuts down the system if water is detected.



1. SE-4P Probe
2. UL Tag, SE-4P & CP-1P
3. Reset Instruction tag
4. Central Processing Unit CP-1P

| | | | |
|--|--|--|-----------------|
| RECTORSEAL 2601 Spenwick Dr Houston, TX 77055 800-231-3345 www.rectorseal.com | | | |
| Part Name Electronic Condensate Overflow Switch SS 500EP | | | |
| | | | Date 8/15/16 |
| | | | Revision A |

Characteristics:

- Tested to UL 508 and 2043 - Code compliant
- Low power consuming, state-of-the-art microelectronics
- Small, Easy to use bracket for roof top units
- Onboard LED's indicates the condition of the unit
- Automatically resets once water subsides
- No moving parts
- 5 wire design for use on all types of thermostats