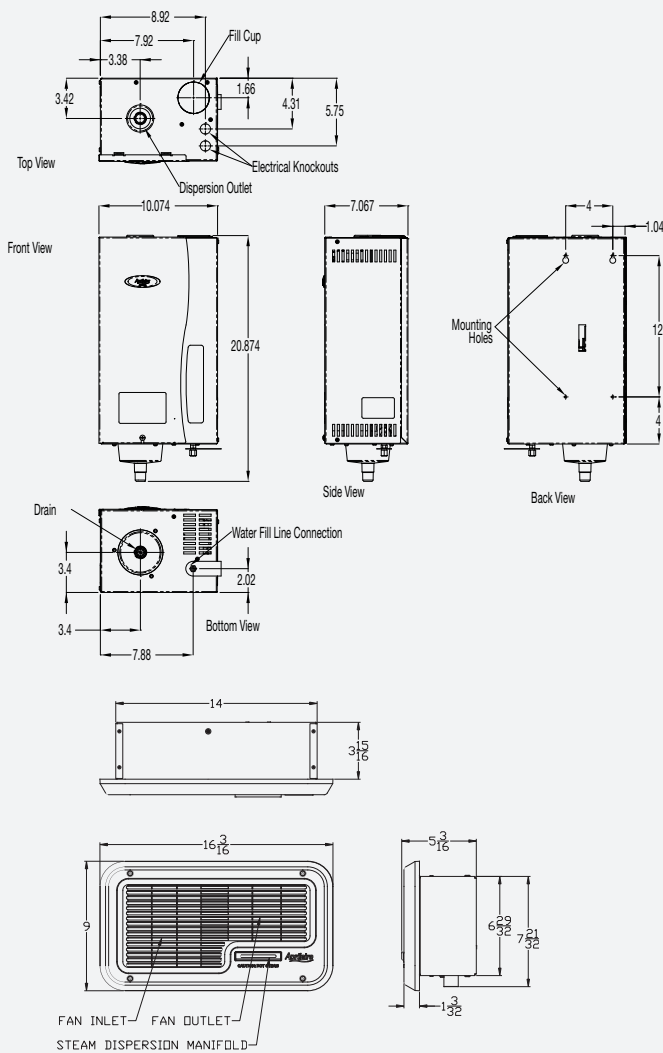


STEAM CAPACITY		VOLTAGE		CURRENT DRAW	
Gallon/Day				Amps	Kw
11.5	120V	11.5	1.4	11.5	1.4
16.0		16.0	1.9		
20.5	208V	11.5	2.4	16.0	3.3
30.0		16.0	3.3		
23.3	240V	11.5	2.8	16.0	3.8
34.6		16.0	3.8		



▶ FEATURES

- + The Fan Pack marries with the Aprilaire Model 800 Steam Humidifier to provide comfortable humidity levels in homes without duct work.
- + Model 800, Fan Pack, Model 65 digital humidistat and Model 4208 drain tap assembly, steam hose and drain tube (included).
- + Proven design using electrode technology perfected by Dri-Steam a subsidiary of Research Products.
- + One unit can provide between 11.5 and 34.6 gallons per day.
- + Recessed into a wall and connects directly to the Model 800 Steam Humidifier.
- + No cleaning or scrubbing, simply remove canister and replace.
- + Operation makes the Fan Pack practically unnoticeable.
- + Designed to blend into a home's environment.