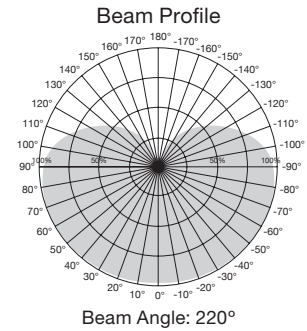




**NEW PRODUCT
INTRODUCTIONS**
JANUARY, 2020

40W & 60W replacement Econo LED A19 lamps

- Direct replacement for 40 Watt incandescent lamps or 9 Watt CFL, uses only 5.8 Watts
- Direct replacement for 60 Watt incandescent lamps or 13 Watt CFL, uses only 9.8 Watts
- Residential and commercial lighting
- 2700K, 3000K, 4000K & 5000K options
- Damp location
- 10,000 Hours
- Non-dimmable
- Approved for enclosed fixtures
- 3 Year warranty*



40W & 60W Replacement ECO A19 LED Lamps

Item #	Lamp Description	W	V	CRI	CCT	Lm	Bm	M.O.L. (Inches)	Life/Hrs.	UPC	Pk.
S11402	5.8A19/LED/27K/120V/ECO/ND	5.8	120	80	2700K	450	220°	4 5/16	10K	045923114021	24
S11403	5.8A19/LED/30K/120V/ECO/ND	5.8	120	80	3000K	450	220°	4 5/16	10K	045923114038	24
S11404	5.8A19/LED/40K/120V/ECO/ND	5.8	120	80	4000K	450	220°	4 5/16	10K	045923114045	24
S11405	5.8A19/LED/50K/120V/ECO/ND	5.8	120	80	5000K	450	220°	4 5/16	10K	045923114052	24
S11406	9.8A19/LED/27K/120V/ECO/ND	9.8	120	80	2700K	800	220°	4 5/16	10K	045923114069	24
S11407	9.8A19/LED/30K/120V/ECO/ND	9.8	120	80	3000K	800	220°	4 5/16	10K	045923114076	24
S11408	9.8A19/LED/40K/120V/ECO/ND	9.8	120	80	4000K	800	220°	4 5/16	10K	045923114083	24
S11409	9.8A19/LED/50K/120V/ECO/ND	9.8	120	80	5000K	800	220°	4 5/16	10K	045923114090	24

*See warranty for details. Visit www.satco.com

60W & 100W Replacement dimmable LED A19 4-packs

Applications

- Indoor residential and commercial lighting
- Down lighting
- Display lighting
- Accent lighting

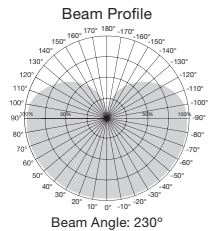
Features

- 60 Watt replacement uses only 9.5 Watts
- 100 Watt replacement uses only 15.5 Watts
- 2700K, 3000K, 4000K and 5000K options
- Damp location
- Approved for totally enclosed fixtures**
- Long life—15,000 hours
- 3 Year warranty



S11414-S11417
60W Replacement

S11422-S11425
100W Replacement



60W & 100W Replacement Dimmable LED A19 4-packs



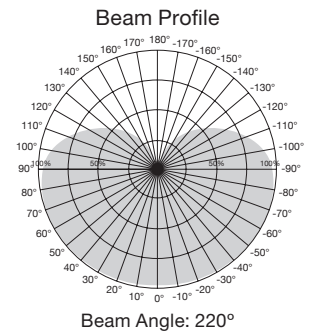
Item Number	Lamp Description	W	V	CRI	CCT	Lm	Bm	M.O.L. (Inches)	Life/Hrs.	UPC	Pack/Master
60W Replacement											
S11414	9.5A19/LED/827/120V/D/4PK	9.5	120	80	2700K	800	230°	4 3/16	15K	045923114144	12 - 4pks
S11415	9.5A19/LED/830/120V/D/4PK	9.5	120	80	3000K	800	230°	4 3/16	15K	045923114151	12 - 4pks
S11416	9.5A19/LED/840/120V/D/4PK	9.5	120	80	4000K	800	230°	4 3/16	15K	045923114168	12 - 4pks
S11417	9.5A19/LED/850/120V/D/4PK	9.5	120	80	5000K	800	230°	4 3/16	15K	045923114175	12 - 4pks
100W Replacement											
S11422	15.5A19/LED/827/120V/D/4PK	15.5	120	80	2700K	1600	230°	4 9/16	15K	045923114229	12 - 4pks
S11423	15.5A19/LED/830/120V/D/4PK	15.5	120	80	3000K	1600	230°	4 9/16	15K	045923114236	12 - 4pks
S11424	15.5A19/LED/840/120V/D/4PK	15.5	120	80	4000K	1600	230°	4 9/16	15K	045923114243	12 - 4pks
S11425	15.5A19/LED/850/120V/D/4PK	15.5	120	80	5000K	1600	230°	4 9/16	15K	045923114250	12 - 4pks

60W replacement LED A19 10-packs

Direct replacements for 60W incandescent lamps

Value-packed for retail or contractor sales

- 60 Watt replacement uses only 9 Watts
- Direct replacement for 13 Watt screw-in CFLs
- Indoor residential and commercial lighting
- 3000K, and 5000K options
- Damp location
- Approved for totally enclosed fixtures
- Long life—10,000 hours
- 3 Year warranty



60W Replacement Multi-Directional A19 LED Lamp 10-packs



Item Number	Lamp Description	W	V	CRI	CCT	Lm	Bm	M.O.L. (Inches)	Life/Hrs.	UPC
S11400	9A19/LED/E26/3K/120V/10PK	9	120	80	3000K	800	220°	4 2/5	10K	045923114007
S11401	9A19/LED/E26/5K/120V/10PK	9	120	80	5000K	800	220°	4 2/5	10K	045923114014

*Sold per 10 pk

Master Cases 4/10 pks

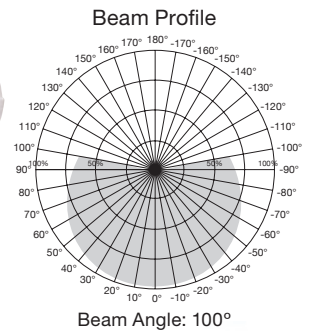
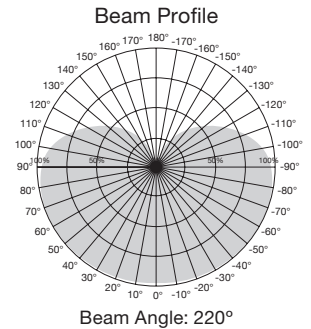
T20 Compliant LED A19 & BR30 lamps in value packs

Applications

- Indoor residential and commercial lighting
- Down lighting
- Display lighting
- Accent lighting

Features

- Direct replacement for 60 Watt incandescent lamps, uses only 9.5 Watts
- Direct replacement for 65 Watt BR30 lamps, uses only 8.7 Watts
- T20 Compliant
- Damp location
- Approved for enclosed fixtures (A19)**
- 3 Year warranty
- **A19 - Non-dimmable**
- **BR30 - Dimmable**



T10 Compliant LED A19 & BR30 Multi-packs



Item #	Lamp Description	W	V	CRI	Bulb Type	Base Type	CCT	Finish	Lm	Bm	MOL	Life/Hrs	UPC	Pk/Master
S11410**	9.5A19/LED/E26/3K/CEC	9.5	120	90	A19	E26	3000	Frost	760	220°	4.4"	10,000	045923114106	10Pk Box
S11411**	9.5A19/LED/E26/5K/CEC	9.5	120	90	A19	E26	5000	Frost	760	220°	4.4"	10,000	045923114113	10Pk Box
S11420*	8.7BR30/LED/927/CEC	8.7	120	90	BR30	E26	2700	Frost	700	100°	5.12"	25,000	45923114205	6Pk Box

60W replacement LED A19 Dusk to Dawn lamp

On at dusk, off at dawn

- Direct replacement for 60 Watt incandescent lamp uses only 8 Watts
- Indoor/outdoor residential and commercial lighting
- Automatic operation--no timers to set
- Internal sensor works in any direction
- Damp location
- Approved for totally enclosed fixtures
- E26 Medium base
- 2700K Warm White
- Non-dimmable
- Not compatible with external photo sensors, motion sensors or timers
- C-UL-us Listed
- Long life—up to 15,000 hours
- 3 Year warranty



60W Replacement LED A19 Dusk to Dawn Lamp



Item Number	Lamp Description	Watts	Voltage	CRI	CCT	Lm	Life/Hrs.	Beam Angle	UPC	Pk
S11421	8A19/DUSK/DAWN/LED/27K	8	120	80	2700	80	15K	200°	045923114212	1/24

Carded & multi-pack LED filament lamps

Types

- General purpose
- Vintage style
- Decorative

Features

- Direct replacements for incandescent lamps
- LED replacements use 80% less energy
- Carded and multi-packs
- Approved for totally enclosed fixtures**
- ENERGY STAR certified*
- Long life—15,000 hours
- 3 Year warranty



NEW PRODUCT INFORMATION — JANUARY, 2020



LED filament lamps - Carded

LED Filament Lamps



Item #	Lamp Description	W	Bulb Type	Base	V	Finish	CCT	Lm	Life/Hrs.	UPC	Pack
A15											
S8615*	4.5A15/CL/LED/E26/27K/ES/120V/1CD	4.5	A15	E26	120	Clear	2700K	450	15K	045923086151	12/1 cd
S21710*	5.5A15/LED/2700K/E12/120V/2CD	5.5	A15	E12	120	Clear	2700K	450	15K	045923217104	12/2 cd
S21733*	5A15/LED/WH/27K/E26/120V/2CD	5	A15	E26	120	White	2700K	450	15K	045923217333	12/2 cd
S21711*	5.5A15/LED/2700K/E26/120V/2CD	5.5	A15	E26	120	Clear	2700K	450	15K	045923217111	12/2 cd
A19											
S8616*	7A19/CL/LED/E26/27K/ES/120V/1CD	7	A19	E26	120	Clear	2700K	800	15K	045923086168	12/1 cd
B11/C11 - Torpedo Shape											
S21700*	2.5W CTC/LED/27K/CL/120V/2CD	2.5	B11	E12	120	Clear	2700K	180	15K	045923217005	12/2 cd
S28613*	4WCTC/LED/27K/CL/120V/1CD	4	C11	E12	120	Clear	2700K	350	15K	045923286131	12/1 cd
S21702*	4.5W CTC/LED/27K/CL/120V/2CD	4.5	B11	E12	120	Clear	2700K	350	15K	045923217029	12/2 cd
S21704*	4.5W CTF/LED/27K/FR/120V/2CD	4.5	B11	E12	120	Frosted	2700K	330	15K	045923217043	12/2 cd
S21728*	4.5W CTC/LED/5K/CL/120V/2CD	4.5	B11	E12	120	Clear	5000K	350	15K	045923217289	12/2 cd
S21706*	5.5W CTC/LED/27K/CL/120V/2CD	5.5	B11	E12	120	Clear	2700K	500	15K	045923217067	12/2 cd
S21701*	2.5W ETC/LED/27K/CL/120V/2CD	2.5	B11	E26	120	Clear	2700K	180	15K	045923217012	12/2 cd
S21703*	4.5W ETC/LED/27K/CL/120V/2CD	4.5	B11	E26	120	Clear	2700K	350	15K	045923217036	12/2 cd
S8609*	4.5WETC/LED/27K/120V/1CD	4.5	C11	E26	120	Clear	2700K	450	15K	045923086090	12/1 cd
S21705*	4.5W ETF/LED/27K/FR/120V/2CD	4.5	B11	E26	120	Frosted	2700K	330	15K	045923217050	12/2 cd
S21730*	4.5W ETC/LED/5K/CL/120V/2CD	4.5	B11	E26	120	Clear	5000K	350	15K	045923217302	12/2 cd
S21707*	5.5W ETC/LED/27K/CL/120V/2CD	5.5	B11	E26	120	Clear	2700K	500	15K	045923217074	12/2 cd
CA10/CA11 - Flame Tip											
S21720*	2.5W CFC/LED/27K/CL/120V/2CD	2.5	CA10	E12	120	Clear	2700K	180	15K	045923217203	12/2 cd
S28614*	4WCFC/LED/27K/CL/120V /1CD	4	CA11	E12	120	Clear	2700K	350	15K	045923286148	12/1 cd
S21721*	4.5W CFC/LED/27K/CL/120V/2CD	4.5	CA10	E12	120	Clear	2700K	350	15K	045923217210	12/2 cd
S21732*	4.5W CFF/LED/27K/FR/120V/2CD	4.5	CA10	E12	120	Frost	2700K	350	15K	045923217326	12/2 cd
S21722*	4.5W CFC/LED/5K/CL/120V/2CD	4.5	CA10	E12	120	Clear	5000K	350	15K	045923217227	12/2 cd
S21723*	5.5W CFC/LED/27K/CL/120V/2CD	5.5	CA10	E12	120	Clear	2700K	500	15K	045923217234	12/2 cd
S21724*	2.5W EFC/LED/27K/CL/120V/2CD	2.5	CA10	E26	120	Clear	2700K	180	15K	045923217241	12/2 cd
S21725*	4.5W EFC/LED/27K/CL/120V/2CD	4.5	CA10	E26	120	Clear	2700K	350	15K	045923217258	12/2 cd
S21731*	4.5W EFF/LED/27K/FR/120V/2CD	4.5	CA10	E26	120	Frost	2700K	350	15K	045923217319	12/2 cd
S21726*	4.5W EFC/LED/5K/CL/120V/2CD	4.5	CA10	E26	120	Clear	5000K	350	15K	045923217265	12/2 cd
S8610*	4.5WEFC/LED/27K/120V/1CD	4.5	CA11	E26	120	Clear	2700K	450	15K	045923086106	12/1 cd
S21727*	5.5W EFC/LED/27K/CL/120V/2CD	5.5	CA10	E26	120	Clear	2700K	500	15K	045923217272	12/2 cd



LED filament lamps - Carded

LED Filament Lamps



Item #	Lamp Description	W	Bulb Type	Base	V	Finish	CCT	Lm	Life/ Hrs.	UPC	Pack
G16											
S21735*	4.5G16/LED/CL/27K/E12/120V/2CD	4.5	G16	E12	120	Clear	2700K	350	15K	045923217357	12/2 cd
S21736*	5.5G16/LED/CL/27K/E12/120V/2CD	5.5	G16	E12	120	Clear	2700K	500	15K	045923217364	12/2 cd
ST19											
S8612	4.5ST19/AMB/LED/E26/2K/120V/1CD	4.5	ST19	E26	120	Amber	2000K	380	15K	045923086120	12/1 cd
S8611	6.5ST19/CL/LED/E26/27K/120V/1CD	6.5	ST19	E26	120	Clear	2700K	810	15K	045923086113	12/1 cd



LED filament lamps - Multi-Packs

LED Filament Lamps



Item #	Lamp Description	W	Bulb Type	Base	V	Finish	CCT	Lm	Life/ Hrs.	UPC	Pack
G25											
S21737*	4.5G25/LED/CL/27K/120V/2PK BOX	4.5	G25	E26	120	Clear	2700K	350	15K	045923217371	12/2 pk
S21738*	4.5G25/LED/WH/27K/120V/2PK BOX	4.5	G25	E26	120	White	2700K	350	15K	045923217388	12/2 pk
S21739*	5.5G25/LED/CL/27K/120V/2PK BOX	5.5	G25	E26	120	Clear	2700K	500	15K	045923217395	12/2 pk
S21740*	5.5G25/LED/WH/27K/120V/2PK BOX	5.5	G25	E26	120	White	2700K	500	15K	045923217401	12/2 pk

NEW PRODUCT INFORMATION — JANUARY, 2020



LED filament lamps - Multi-Packs

LED Filament Lamps



Item #	Lamp Description	W	Bulb Type	Base	V	Finish	CCT	Lm	Life/Hrs.	UPC	Pack
Decorative - 3 Pack Box											
S21729*	4.5W CTC/LED/3K/CL/120V/3PK	4.5	B11	E12	120	Clear	3000K	350	15K	045923217296	12-3pk
S21708*	4.5W CTC/LED/27K/CL/120V/3PK	4.5	B11	E12	120	Clear	2700K	350	15K	045923217081	12-3pk
A19 - 4 Pack Box											
40 Watt Replacement											
S21712*	5A19/CL/LED/E26/27K/120V/4PK	5	A19	E26	120	Clear	2700K	450	15K	045923217128	12-4pk
60 Watt Replacement											
S21713*	7.5A19/CL/LED/E26/27K/120V/4PK	7.5	A19	E26	120	Clear	2700K	800	15K	045923217135	12-4pk
S21714*	7.5A19/SW/LED/E26/27K/120V/4PK	7.5	A19	E26	120	Frosted	2700	800	15K	045923217142	12-4pk
S21734*	7.5A19/CL/LED/E26/3K/120V/4PK	7.5	A19	E26	120	Clear	3000K	800	15K	045923217340	12-4pk
75 Watt Replacement											
S11503	9A19/FR/LED/E26/827/120V/4PK	9	A19	E26	120	Frost	2700K	1100	15K	045923115035	12-4pk
S11504	9A19/FR/LED/E26/830/120V/4PK	9	A19	E26	120	Frost	3000K	1100	15K	045923115042	12-4pk
100 Watt Replacement											
S11508	13A19/FR/LED/E26/827/120V/4PK	13	A19	E26	120	Frost	2700K	1500	15K	045923115080	12-4pk
S11509	13A19/FR/LED/E26/830/120V/4PK	13	A19	E26	120	Frost	3000K	1500	15K	045923115097	12-4pk
S11513	12A19/CL/LED/E26/827/120V/4PK	12	A19	E26	120	Clear	2700K	1500	15K	045923115134	12-4pk
S11514	12A19/CL/LED/E26/830/120V/4PK	12	A19	E26	120	Clear	3000K	1500	15K	045923115141	12-4pk

Satco-Escent LED lamps

Elegance and efficiency, boxed or carded.

The most "decorative" decorative LED on the market. Adds elegance and style to any fixture even when not illuminated.

Features

- 2 Watt LED direct replacement for 25 watt incandescent lamps
- 4 Watt LED direct replacement for 40 watt incandescent lamps
- E26 & E12 Base options
- Unique satin-spun white or amber finish
- Dimmable
- Carded versions for peg board merchandising
- LED filament technology
- Approved for totally enclosed fixtures
- Long life—15,000 hours
- 3 Year warranty



Satco-escent LED lamps



Item No.	Description	W	Voltage	Base Type	Finish	CCT	Lm	CRI	Life/Hrs.	UPC	Case Pack
Boxed											
S11300	2CA11/LED/SA/E12/27K/120V	2	120V	E12	Satin Spun	2700	150	80	15000	045923113000	24
S11301	2CA11/LED/A/E12/21K/120V	2	120V	E12	AmberSpun	2100	100	80	15000	045923113017	24
S11302	4CA11/LED/SA/E12/27K/120V	4	120V	E12	Satin Spun	2700	300	80	15000	045923113024	24
S11303	4CA11/LED/A/E12/21K/120V	4	120V	E12	AmberSpun	2100	200	80	15000	045923113031	24
S23403	2C11/LED/SA/E26/27K/120V	2	120V	E26	Satin Spun	2700	120	80	15,000	045923234033	24
S23407	2C11/LED/A/E26/23K/120V	2	120V	E26	Amber Spun	2100	100	80	15,000	045923234071	24
S23413	4C15/LED/SA/E26/27K/120V	4	120V	E26	Satin Spun	2700	300	80	15,000	045923234132	24
S23412	4C15/LED/A/E26/23K/120V	4	120V	E26	Amber Spun	2100	240	80	15,000	045923234125	24
Carded											
S11304	2CA11/LED/SA/E12/27K/120V/CD	2	120V	E12	Satin Spun	2700	150	80	15,000	045923113048	24
S11305	2CA11/LED/A/E12/21K/120V/CD	2	120V	E12	AmberSpun	2100	100	80	15,000	045923113055	24
S11306	4CA11/LED/SA/E12/27K/120V/CD	4	120V	E12	Satin Spun	2700	300	80	15,000	045923113062	24
S11307	4CA11/LED/A/E12/21K/120V/CD	4	120V	E12	AmberSpun	2100	200	80	15,000	045923113079	24
S22703	2C11/LED/SA/E26/27K/120V/CD	2	120V	E26	Satin Spun	2700	120	80	15,000	045923227035	24
S22707	2C11/LED/A/E26/23K/120V/CD	2	120V	E26	Amber Spun	2100	100	80	15,000	045923227073	24
S22713	4C15/LED/SA/E26/27K/120V/CD	4	120V	E26	Satin Spun	2700	300	80	15,000	045923227134	24
S22712	4C15/LED/A/E26/23K/120V/CD	4	120V	E26	Amber Spun	2100	240	80	15,000	045923227127	24



PAR30L
S12214, S12215



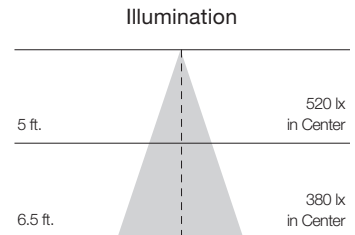
PAR38
S12216, S12217



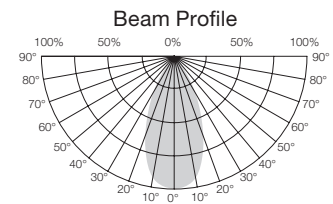
PAR30S
S12212, S12213



PAR20
S12210, S12211



Beam Angle: 40°



Beam Angle: 40°



Econo LED PAR lamps

High-value LED replacements for Halogen PAR lamps

Features

- Traditional lens
- Saves over 80% on energy costs
- 120V
- 3000K and 4000K options
- 40° Beam angle
- Approved for totally enclosed fixtures**
- Wet location - indoor/outdoor
- 3 Year limited warranty**

Econo PAR Lamps

Item Number	Lamp Description	W	V	CRI	CCT	Finish.	Lm	Bm	M.O.L. (Inches)	Life/ Hrs.	UPC	Pack
50 PAR20 Replacement												
S12210	6PAR20/LED/830/FL/120V	6	120	80	3000K	WHITE	500	40°	3 7/8	11K	045923122101	24
S12211	6PAR20/LED/840/FL/120V	6	120	80	4000K	WHITE	500	40°	3 7/8	11K	045923122118	24
75 PAR30 Replacement												
S12212	8.9PAR30S/LED/830/FL/120V	8.9	120	80	3000K	WHITE	700	40°	3 3/8	11K	045923122125	12
S12213	8.9PAR30S/LED/840/FL/120V	8.9	120	80	4000K	WHITE	700	40°	3 3/8	11K	045923122132	12
S12214	8.9PAR30L/LED/830/FL/120V	8.9	120	80	3000K	WHITE	700	40°	4 7/16	11K	045923122149	12
S12215	8.9PAR30L/LED/840/FL/120V	8.9	120	80	4000K	WHITE	700	40°	4 7/16	11K	045923122156	12
90 PAR38 Replacement												
S12216	13PAR38/LED/830/FL/120V	13	120	80	3000K	WHITE	1000	40°	5 1/8	11K	045923122163	12
S12217	13PAR38/LED/840/FL/120V	13	120	80	4000K	WHITE	1000	40°	5 1/8	11K	045923122170	12

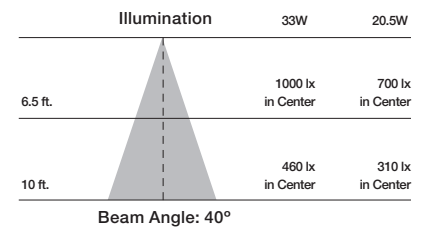
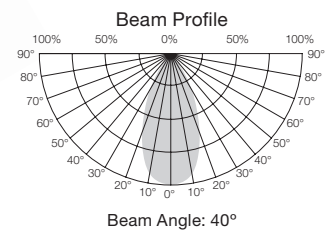
**Average rated life may vary depending on application, use, fixture type and environment.

High lumen LED PAR lamps

A high lumen, high efficiency option for all PAR38 and PAR30 long neck lamps

Features

- Direct replacement for 250W PAR38 lamps uses only 33 Watts
- Direct replacement for 75W PAR30LN lamps only 20.5 Watts
- Saves over 80% on energy costs
- 120V
- High efficiency
- 2700K, 3000K, 4000K, and 5000K options
- Approved for totally enclosed fixtures**
- Long life – 25,000 hours
- 3 Year limited warranty**



High Lumen PAR LED Lamps



Item Number	Lamp Description	W	V	CRI	CCT	Lm	Bm	M.O.L. (Inches)	Life/Hrs.	UPC
S12240	20.5PAR30LN/LED/827/HL/120V/FL/D	20.5	120V	80	2700K	1800	40°	4.45	25K	045923122408
S12241	20.5PAR30LN/LED/830/HL/120V/FL/D	20.5	120V	80	3000K	1800	40°	4.45	25K	045923122415
S12242	20.5PAR30LN/LED/840/HL/120V/FL/D	20.5	120V	80	4000K	1800	40°	4.45	25K	045923122422
S12243	20.5PAR30LN/LED/850/HL/120V/FL/D	20.5	120V	80	5000K	1800	40°	4.45	25K	045923122439
S12250*	33PAR38/LED/827/HL/120V/FL/D	33	120V	80	2700K	3000	40°	5.13	25K	045923122507
S12251*	33PAR38/LED/830/HL/120V/FL/D	33	120V	80	3000K	3000	40°	5.13	25K	045923122514
S12252*	33PAR38/LED/840/HL/120V/FL/D	33	120V	80	4000K	3000	40°	5.13	25K	045923122521
S12253*	33PAR38/LED/850/HL/120V/FL/D	33	120V	80	5000K	3000	40°	5.13	25K	045923122538

** Average rated life may vary depending on application, use, fixture type and environment.

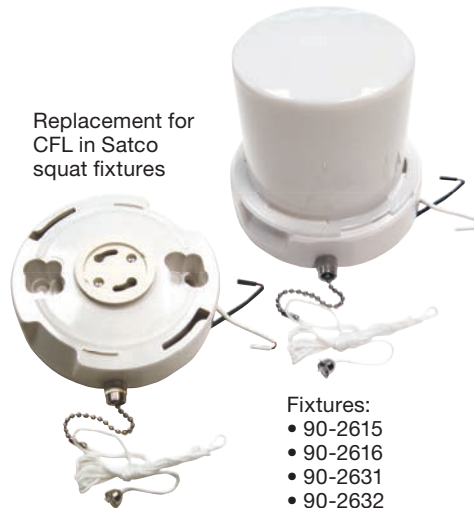
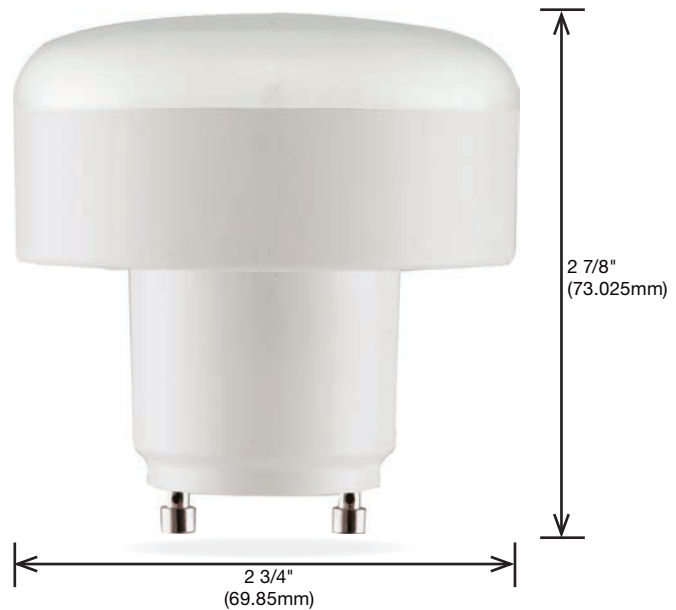
LED squat CFL lamp replacement with GU24 base

Applications

- Indoor residential and commercial lighting
- Utility fixtures
- Closet lighting

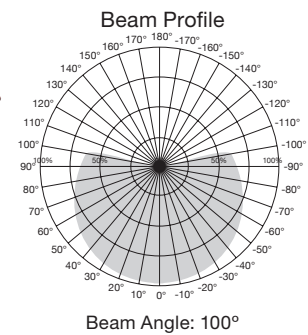
Features

- Direct replacement for squat GU24-based CFL lamps
- 13 Watt CFL replacement uses only 9.5 Watts (60W incandescent)
- 18 Watt CFL replacement uses only 12 Watts (75W incandescent)
- GU24 base
- Uniform luminance pattern
- 2700K and 4000K options
- 90 CRI
- Approved for totally enclosed fixtures**
- Damp location
- Long life—25,000 hours
- 5 Year warranty



Replacement for CFL in Satco squat fixtures

- Fixtures:
- 90-2615
 - 90-2616
 - 90-2631
 - 90-2632



LED squat CFL lamp replacement with GU24 base

Item #	Lamp Description	W	CRI	Bulb Type	Bm	CCT	Lm	M.O.L. (Inches)	Life/ Hrs.	UPC	Pk.
S11540	9.5W/SQUAT/LED/27K/GU24	9.5	90	LED/GU24	100°	2700K	800	2.835	25K	045923115400	24
S11541	9.5W/SQUAT/LED/40K/GU24	9.5	90	LED/GU24	100°	4000K	800	2.835	25K	045923015410	24
S11542	12W/SQUAT/LED/27K/GU24	12	90	LED/GU24	100°	2700K	1100	2.835	25K	045923115424	24
S11543	12W/SQUAT/LED/40K/GU24	12	90	LED/GU24	100°	4000K	1100	2.835	25K	045923115431	24

**Average rated life may vary depending on application, use, fixture type and environment



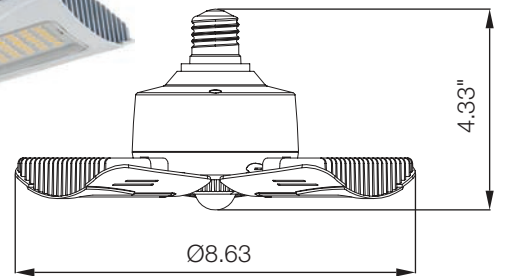
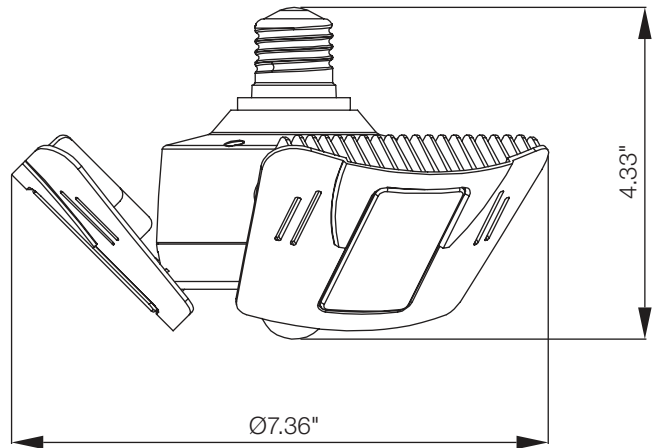
60W LED multi-beam Utility light with and without motion sensor

Applications

- Garage
- Barn
- Workshop
- Shed
- Utility room
- Large open spaces

Features

- Replaces high-wattage HID CFL and Incandescent lamps, but uses only 60 Watts
- LED panels adjust to 135° and a full 180°
- Rugged construction
- Built-in motion sensor option
- E26 medium base
- Direct wire range voltage 100-277V
- Damp location
- cULus Listed
- 3 Year warranty



60W LED multi-beam Utility light with and without motion sensor



Item #	Lamp Description	W	V	CRI	Bulb Type	Base Type	CCT	Finish	Lm	Life/ Hrs	UPC	Pk/ Master
S13118	60W/LED/UTL/MB/4000K	60	100-277	80	MULTI-BEAM	E26	4000	White	5880	50,000	045923131189	12
S13119	60W/LED/UTL/MB/4000K/MOTION	60	100-277	80	MULTI-BEAM	E26	4000	White	5880	50,000	045923131196	12

Hi-Pro LED lamps

Third generation, high lumen, omni-directional lamps for industrial and commercial applications

Upgraded Features

- Improved heat sink design with advanced passive heat dissipation
- Reduced size / lighter weight
- Higher efficiency, increased lumen output
- Built-in surge protection on all items
18W – 22W 2.5KV
36W – 54W 4KV
80W – 120W 6KV

Standard Features

- Replaces HID, CFL, and Incandescent
- Direct wire range voltage 100-277V
- Approved for totally enclosed fixtures**
- IP64-Damp location
- 3 CCT options
- High bay/low bay/post top
- DLC listed*
- Long life — 50,000 hours
- 5 Year limited warranty**



High Lumen Industrial/Commercial LED Lamps

Item Number	Lamp Description	Replaces Inc/CFL/HID	W	V	Base Type	CCT	Lm	M.O.L. (Inches)	Life/ Hrs.	UPC	Pk/ Mstr.
S39670	18W/LED/HID/2700K/100-277V/E26	120/32/70	18	100-277	E26	2700K	2340	5.69	50K	045923306709	24
S39390	18W/LED/HID/5000K/100-277V/E26	120/32/70	18	100-277	E26	5000K	2610	5.69	50K	045923303906	24
S39671	22W/LED/HID/2700K/100-277V/E26	150/40/100	22	100-277	E26	2700K	2860	5.95	50K	045923306716	24
S39391	22W/LED/HID/5000K/100-277V/E26	150/40/100	22	100-277	E26	5000K	3080	5.95	50K	045923303913	24
S39672	36W/LED/HID/2700K/100-277V/E26	200/55/150	36	100-277	E26	2700K	4680	7.37	50K	045923306723	12
S39392	36W/LED/HID/5000K/100-277V/E26	200/55/150	36	100-277	E26	5000K	5148	7.37	50K	045923303920	12
S39738	45W/LED/HID/4000K/100-277V E26	300/65/175	45	100-277	E26	4000K	6300	8.51	50K	045923397387	12
S39739	45W/LED/HID/5000K/100-277V E26	300/65/175	45	100-277	E26	5000K	6435	8.51	50K	045923397394	12
S39673*	45W/LED/HID/4000K/100-277V/EX39	300/65/175	45	100-277	EX39	4000K	6300	8.81	50K	045923306730	12
S39393*	45W/LED/HID/5000K/100-277V/EX39	300/65/175	45	100-277	EX39	5000K	6435	8.81	50K	045923303937	12
S39674*	54W/LED/HID/4000K/100-277V/EX39	300/85/250	54	100-277	EX39	4000K	7560	9.01	50K	045923306747	12
S39394*	54W/LED/HID/5000K/100-277V/EX39	300/85/250	54	100-277	EX39	5000K	7722	9.01	50K	045923303944	12
S39675*	80W/LED/HID/4000K/100-277V/EX39	400/100/320	80	100-277	EX39	4000K	11200	8.78	50K	045923306754	4
S39395*	80W/LED/HID/5000K/100-277V/EX39	400/100/320	80	100-277	EX39	5000K	11440	8.78	50K	045923303951	4
S39676*	100W/LED/HID/4000K/100-277V/EX39	500/150/400	100	100-277	EX39	4000K	14000	9.76	50K	045923306761	4
S39396*	100W/LED/HID/5000K/100-277V/EX39	500/150/400	100	100-277	EX39	5000K	14300	9.76	50K	045923303968	4
S39677*	120W/LED/HID/4000K/100-277V/EX39	750/200/600	120	100-277	EX39	4000K	16800	10.35	50K	045923306778	4
S39397*	120W/LED/HID/5000K/100-277V/EX39	750/200/600	120	100-277	EX39	5000K	17160	10.35	50K	045923303975	4

Accessories

92-406	Mog to Med Socket Reducer for S39390, S39391, S39392, S39670, S39671 and S39672	045923924064
80-929	Hard Wire Surge Protector	045923809293

** For minimum compartment size of enclosed fixture visit www.satco.com. Lamp life may vary depending on application and use. See warranty for details.



80-954



80-955



80-956



80-957

Hi-Pro Sensors

Adjustable controls for LED HID replacement lamps.

- Even more energy saving
- Increased functionality
- Simple installation (plug and play)

80-954 Hi-Pro WiFi Module

Features

- Access functions through mobile app, router ECS, etc.
- Dimming and time control
- Support single or group lamp control
- Available voice control: Amazon Echo, Google Home, etc.
- WiFi: 2.4GHz
- OS: Android 4.2 or newer, IOS 8.0 or newer



Specifications

- Operating voltage: 15V DC + 2V
- Current: 20mA
- IP rating: IP20
- WiFi: 2.4GHz
- OS: Android 4.2 or newer, IOS 8.0 or newer
- Operating Temperature: -20°C (+4°F) to +60°C (+140°F)
- Warranty: 5 years



80-956 Hi-Pro Photocell

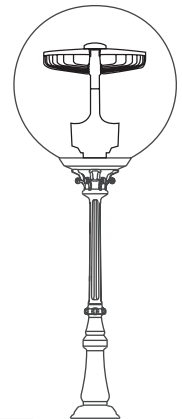
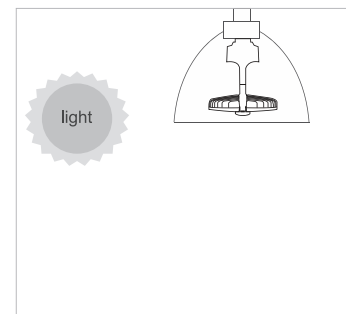
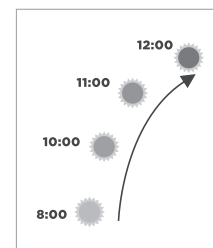
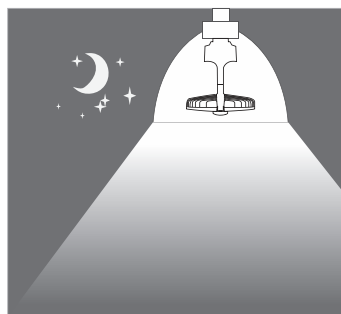
Features

- Natural light detection
- Reaction lux options: 20 lx, 50 lx, 100 lx, 300 lx
- Adjustable hold time
- Standard 3.5mm Aux port connection



Specifications

- Operating voltage: 15V DC + 2V
- Output voltage: 0-10V
- Current: 20mA
- IP rating: IP20
- Operating Temperature: -20°C (4°F) to +60°C (+140°F)
- Warranty: 5 years



80-955 Hi-Pro Motion Sensor / PIR

Features

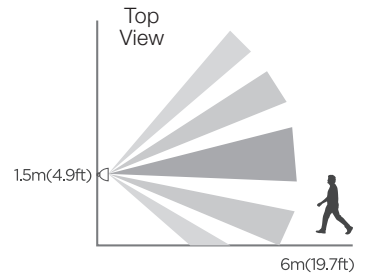
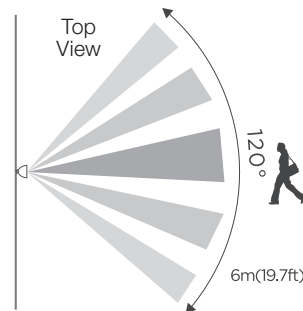
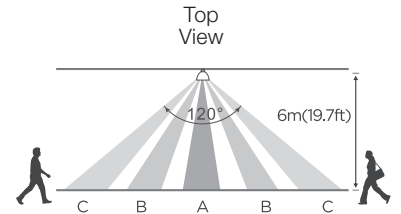
- Motion detection area: 6m (19.7')
- Standby bi-level dimming: Off, 20% dim, 40% dim or 60% dim
- Hold time: up to 10 minutes
- Standard 3.5mm Aux port connection
- Not for use in enclosed fixtures

Specifications

- Operating voltage: 15V DC + 2V
- Output voltage: 0-10V
- Current: 20mA
- IP rating: IP20
- Operating Temperature: -20°C (+4°F) to +35°C (+95°F)
- Warranty: 5 years



80-955



80-957 Hi-Pro Motion Sensor / MW

Features

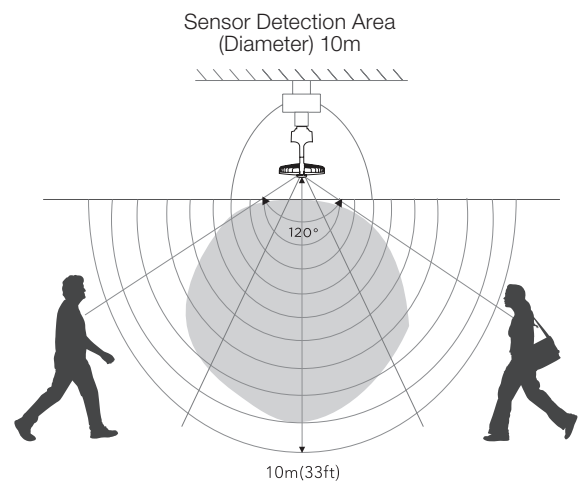
- Motion detection area: 10m (33')
- Standby bi-level dimming: Off, 20% dim, 40% dim or 60% dim
- Hold time: up to 10 minutes
- Suitable for use in enclosed fixtures (non-metallic)

Specifications

- Operating voltage: 15V DC + 2V
- Output voltage: 0-10V
- Current: 20mA
- IP rating: IP20
- Operating Temperature: -20°C (+4°F) to +60°C (+140°F)
- Warranty: 5 years



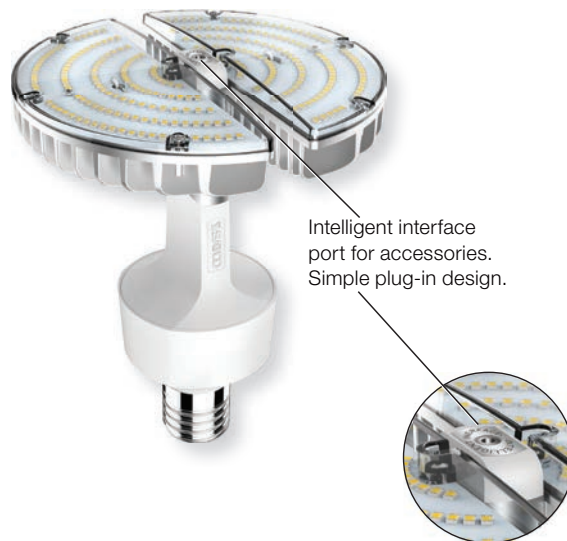
80-957





Hi-Pro Sensors

Item #	Description
80-954	Hi-Pro WiFi Module
80-955	Hi-Pro Motion Sensor / PIR
80-956	Hi-Pro Photocell
80-957	Hi-Pro Motion Sensor / MW



Linear LED T8, T5HO Type C system

Dedicated LED linear lamps and driver system with integral 0-10V dimming.

Applications:

Replacement of existing Linear Fluorescent lamps and ballast commonly found in commercial and industrial sites, and new installations.

Satco Type C systems include:

- Dedicated LED lamp and driver system
- DLC rated for use in utility programs



Note: Fluorescent lamps are not compatible with Type C drivers

Linear LED T8, T5HO Type C system

Features:

- For retrofit and installation in new fixtures
- Driver footprint matches ballast footprint
- High efficiency
- Compatible with instant start wiring
- Low flicker design
- 120-277V, 0-10V Dimming
- 3000, 35000, 4000, 5000K
- 82 CRI
- All glass lamps, damp rated, DLC listed
- Built-in surge protection
- 50,000 hour life
- 5 Year warranty

Linear LED
T8 Type C

Linear LED
T5 Type C



S8012
1-2 Lamp
driver



S8013
3-4 Lamp
driver



S8014
1-2 Lamp
driver



S8015
3-4 Lamp
driver



Linear LED T8 Type C lamps

Item #	Lamp Description	W	CRI	Bulb Type	Base Type	Bm	CCT	Lm	M.O.L. (Inches)	Life/ Hrs.	UPC	M/Case Qty
2FT												
S11930	8T8/LED/24-830/XD	8	82	LED	G13	220°	3000	1200	24.0	50,000	045923119309	25
S11931	8T8/LED/24-835/XD	8	82	LED	G13	220°	3500	1200	24.0	50,000	045923119316	25
S11932	8T8/LED/24-840/XD	8	82	LED	G13	220°	4000	1200	24.0	50,000	045923119323	25
S11933	8T8/LED/24-850/XD	8	82	LED	G13	220°	5000	1200	24.0	50,000	045923119330	25
3FT												
S11934	11T8/LED/36-830/XD	11	82	LED	G13	220°	3000	1600	36.0	50,000	045923119347	25
S11935	11T8/LED/36-835/XD	11	82	LED	G13	220°	3500	1600	36.0	50,000	045923119354	25
S11936	11T8/LED/36-840/XD	11	82	LED	G13	220°	4000	1600	36.0	50,000	045923119361	25
S11937	11T8/LED/36-850/XD	11	82	LED	G13	220°	5000	1600	36.0	50,000	045923119378	25
4FT												
S11938	12T8/LED/48-830/XD	12	82	LED	G13	220°	3000	1800	48.0	50,000	045923119385	25
S11939	12T8/LED/48-835/XD	12	82	LED	G13	220°	3500	1800	48.0	50,000	045923119392	25
S11940	12T8/LED/48-840/XD	12	82	LED	G13	220°	4000	1800	48.0	50,000	045923119408	25
S11941	12T8/LED/48-850/XD	12	82	LED	G13	220°	5000	1800	48.0	50,000	045923119415	25

LED T8 Type C drivers

Item #	Description	Lamps driven	V in	V out	Current in 120V	Current in 277V	Current out 120V, 277V	Freq. input HZ	Power factor 120V	Power factor 277V	Operating temp.	Storage temp.	UPC
S8012	LED driver/ 2', 3', 4'/Type C/T8	1, 2	120-277	24-48	300	130	290	50/60	0.95	0.93	-20° to 55°C	-40° to 85°C	045923090127
S8013	LED driver/ 2', 3', 4'/Type C/T8	3, 4	120-277	24-48	590	230	290	50/60	0.95	0.93	-20° to 55°C	-40° to 85°C	045923090134



Linear LED T5 Type C lamps

Item Number	Lamp Description	W	CRI	Bulb Type	Base Type	Bm	CCT	Lm	M.O.L. (Inches)	Life/ Hrs.	UPC	M/Case Qty
4FT T5												
S11942	23T5/LED/48-835/XD	23	82	LED	G5	220°	3500	3500	48.0	50,000	045923119422	25
S11943	23T5/LED/48-840/XD	23	82	LED	G5	220°	4000	3500	48.0	50,000	045923119439	25
S11944	23T5/LED/48-850/XD	23	82	LED	G5	220°	5000	3500	48.0	50,000	045923119446	25

LED T5 Type C drivers

Item #	Description	Lamps driven	V in	V out	Current in 120V	Current in 277V	Current out 120V, 277V	Freq. input HZ	Power factor 120V	Power factor 277V	Operating temp.	Storage temp.	UPC
S8014	LED driver/4' Type C/T5	1, 2	120-277	30-48	540	240	530	50/60	0.95	0.93	-20° to 55°C	-40° to 85°C	045923080142
S8015	LED driver/4' Type C/T5	3, 4	120-277	30-45	1020	450	530	50/60	0.98	0.96	-20° to 55°C	-40° to 85°C	045923080159

NEW PRODUCT INFORMATION — JANUARY, 2020

Installation

Type C drivers are designed to wire similar to instant start T8 ballasts. This feature keeps installation time to existing sockets to a minimum.

Installation requires removing existing tubes and ballasts and possible replacement of sockets. One driver can power multiple sockets in each fixture.

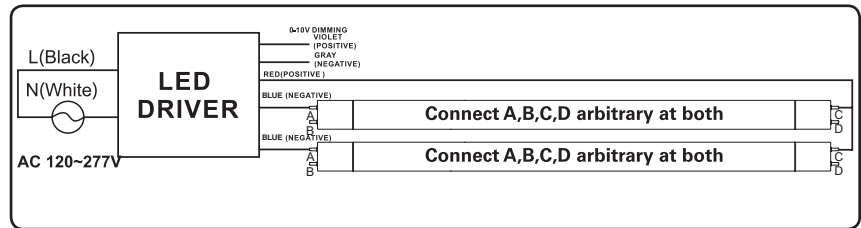
Satco cannot guarantee LED lamp performance using drivers other than those listed in this publication.

Components included:

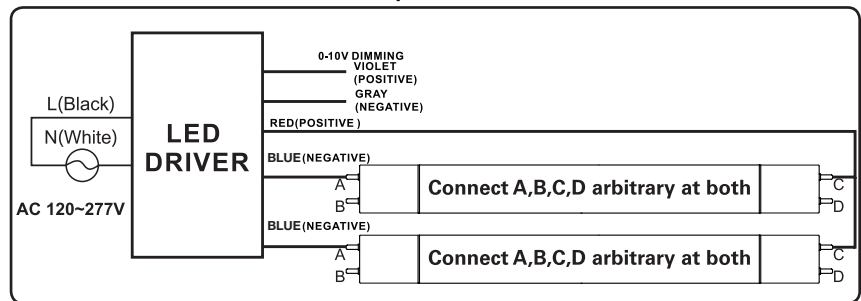
- Installation instructions
- LED lamps
- LED drivers
- Luminaire markings (affix to luminaire)

Wiring Instruction - Electronic Ballast

Retrofit luminaire with 2 T8 lamps



Retrofit luminaire with 2 T5 lamps



See installation manual for 1, 2, 3 and 4 lamp wiring guides.

System Performance

Item Number	Product Specification	CRI	Bare Lamp Wattage	CCT	Lumens	System Wattage per Lamp				System Efficacy per Lamp	
						Driver: S8012		Driver: S8013		2-Lamp Nominal Efficacy	4-Lamp Nominal Efficacy
S11930, S11931, S11932, S11933	T8-8W-1200lm-2ft	>80	8W	3000K	1150lm	10W	10.5W	10W	10W	115LPW	115LPS
				4000K 5000K	1200lm					120LPW	120LPW
S11934, S11935, S11936, S11937	T8-11W-1600lm-3ft	>80	11W	3000K	1520lm	13.5W	13.5W	13W	13W	113LPW	117LPS
				4000K 5000K	1600lm					119LPW	123LPW
S11938, S11939, S11940, S11941	T8-12W-1800lm-4ft	>80	12W	3000K	1700lm	15W	15W	14.5W	14.5W	113LPW	115LPS
				4000K 5000K	180lm					120LPW	124LPW
						Driver: S8014		Driver: S8015			
S11942, S11932, S11944	T5-23W-3400lm-4ft	>80	23W	3500K	3250lm	27W	27W	25W	25W	120LPW	130LPW
				4000K 5000K	3400lm					126LPW	136LPW

DLC Back-lit LED flat panels

Featuring selectable CCT

- Back-lit technology for consistent, even light distribution
- 3500K, 4000K, 5000K Selectable
- Maintenance free—no bulb to change
- CRI > 80
- Long life—50,000 hours
- 0-10V dimming
- Integrated EM options
- Universal input voltage—100-277V and 100-347V versions
- Recessed, surface mount and suspension kits available
- Certified for damp locations
- 5 year warranty



ColorQuick™

3000K, 4000K, 5000K
selectable CCT

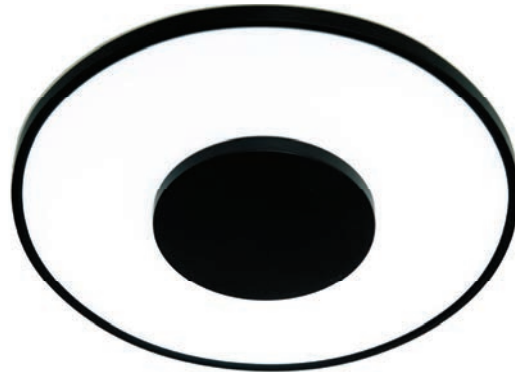


Selectable CCT
3500K, 4000K, 5000K

DLC Back-lit LED Flat Panels featuring Selectable CCT



Item Number	Lamp Description	W	Voltage	CRI	CCT Selectable	Lm	Life/Hrs.	UPC	Pk
65-571	2x2 LED BACK LIT FLAT PANEL	40	100-277V	>80	3500K/4000K/5000K	4200~4400	50K	045923659492	1
65-573	1x4 LED BACK LIT FLAT PANEL	40	100-277V	>80	3500K/4000K/5000K	4200~4400	50K	045923659508	1
65-572	2x4 LED BACK LIT FLAT PANEL	50	100-277V	>80	3500K/4000K/5000K	5250~5500	50K	045923659515	1
65-581	2x2 LED BACK LIT FLAT PANEL	40	100-347V	>80	3500K/4000K/5000K	4200~4400	50K	045923659522	1
65-582	2x4 LED BACK LIT FLAT PANEL	50	100-347V	>80	3500K/4000K/5000K	5250~5500	50K	045923659539	1
65-575	2x2 LED EM BACK LIT FLAT PANEL	40	100-277V	>80	3500K/4000K/5000K	4200~4400	50K	045923659546	1
65-576	2x4 LED EM BACK LIT FLAT PANEL	50	100-277V	>80	3500K/4000K/5000K	5250~5500	50K	045923659553	1
65-585	2x2 LED EM BACK LIT FLAT PANEL	40	100-347V	>80	3500K/4000K/5000K	4200~4400	50K	045923659560	1
65-586	2x4 LED EM BACK LIT FLAT PANEL	50	100-347V	>80	3500K/4000K/5000K	5250~5500	50K	045923659577	1
65-591	2x2 SUSPENSION KIT							045923659584	30
65-592	1x4 SUSPENSION KIT							045923659591	30
65-593	2x4 SUSPENSION KIT							045923659607	30



13" Round
Black Finish



17" Round
Brushed Nickel Finish



17" Square
White Finish



13" Square
Black Finish

Blink™ Luxe LED designer surface mount fixtures

Applications

- Kitchens
- Bathrooms
- Hallways
- Meeting rooms
- Hospitality
- Health care
- Offices
- Retail

Features

- Dimmable*
- White, Black, Brushed Nickel, Polished Nickel finish
- Ultra-low profile only 1" deep
- Mounts directly to 3" and 4" junction boxes
- Damp location listed
- 120-277V
- 90 CRI
- Long life — 50,000 hours
- ENERGY STAR certified
- 5 Year limited warranty***

Blink™ Luxe LED designer surface mount fixtures



17" Square
Polished Nickel Finish



Remove decorative center cap for easy mounting to 3" or 4" j boxes



Advanced edge-lit LED technology ensures even light distribution

Blink Luxe LED Designer Surface Mount Fixtures



Item #	Lamp Description	W	V	CRI	CCT	LM	Finish	Life/Hrs.	Dimensions	UPC	Pk.
62-1515	Blink Luxe 13" Round	26	120-277V	90	3000K	1600	White	50K	13" Diam. x1" H	045923682919	6
62-1516	Blink Luxe 13" Round	26	120-277V	90	3000K	1600	Black	50K	13" Diam. x1" H	045923682926	6
62-1517	Blink Luxe 13" Round	26	120-277V	90	3000K	1600	Polished Nickel	50K	13"Diam. x1" H	045923682933	6
62-1518	Blink Luxe 13" Round	26	120-277V	90	3000K	1600	Brushed Nickel	50K	13"Diam. x1" H	045923682940	6
62-1519	Blink Luxe 13" Square	26	120-277V	90	3000K	1600	White	50K	13"Lx13"Wx1"H	045923682957	6
62-1520	Blink Luxe 13" Square	26	120-277V	90	3000K	1600	Black	50K	13"Lx13"Wx1"H	045923682964	6
62-1521	Blink Luxe 13" Square	26	120-277V	90	3000K	1600	Polished Nickel	50K	13"Lx13"Wx1"H	045923682971	6
62-1522	Blink Luxe 13" Square	26	120-277V	90	3000K	1600	Brushed Nickel	50K	13"Lx13"Wx1"H	045923682988	6
62-1523	Blink Luxe 17" Round	31.5	120-277V	90	3000K	2200	White	50K	17" Diam. x1" H	045923682995	4
62-1524	Blink Luxe 17" Round	31.5	120-277V	90	3000K	2200	Black	50K	17" Diam. x1" H	045923683008	4
62-1525	Blink Luxe 17" Round	31.5	120-277V	90	3000K	2200	Polished Nickel	50K	17" Diam. x1" H	045923683015	4
62-1526	Blink Luxe 17" Round	31.5	120-277V	90	3000K	2200	Brushed Nickel	50K	17" Diam. x " H	045923683022	4
62-1527	Blink Luxe 17" Square	31.5	120-277V	90	3000K	2200	White	50K	17"Lx17"Wx1"H	045923683039	4
62-1528	Blink Luxe 17" Square	31.5	120-277V	90	3000K	2200	Black	50K	17"Lx17"Wx1"H	045923683046	4
62-1529	Blink Luxe 17" Square	31.5	120-277V	90	3000K	2200	Polished Nickel	50K	17"Lx17"Wx1"H	045923683053	4
62-1530	Blink Luxe 17" Square	31.5	120-277V	90	3000K	2200	Brushed Nickel	50K	17"Lx17"Wx1"H	045923683060	4

* Dimmable at 120V only. ** Consult Satco or visit www.satco.com for an up to date dimmer compatibility list. *** See separate warranty for complete terms and conditions.

LED fixtures

Attractive, high efficiency indoor / outdoor fixtures

Applications:

- Walkways
- Entrances
- Hallways
- Lobbies
- Patio

Features:

- 13.5 or 18.5 Watts
- White or Black finish with frosted glass
- Rugged construction
- Die-cast aluminum body
- UV stabilized powder coated finish
- Suitable for wet locations
- 120V
- 3000K
- 90 CRI
- Rated for 50,000 hours
- ENERGY STAR certified
- 5 Year warranty



62-1410



62-1419



62-1414



62-1417

LED outdoor fixtures



Item Number	Description	Watts	Volts	CRI	CCT	Lumens	Dimensions	Life/Hours	UPC	Pack
62-1410	LED Oval Bulkhead / White / Frosted Glass	18.5	120	90	3000K	1200	10 ⁷ / ₈ "H x 6 ¹ / ₈ "W x 4 ¹ / ₈ "E	50,000	045923682209	6
62-1411	LED Oval Bulkhead / Black / Frosted Glass	18.5	120	90	3000K	1110	10 ⁷ / ₈ "H x 6 ¹ / ₈ "W x 4 ¹ / ₈ "E	50,000	045923682216	6
62-1413	LED Rectangular Bulkhead / White / Frosted Glass	18.5	120	90	3000K	1110	10 ¹ / ₂ "H x 7"W x 5 ¹ / ₈ "E	50,000	045923682261	6
62-1414	LED Rectangular Bulkhead / Black / Frosted Glass	18.5	120	90	3000K	1110	10 ¹ / ₂ "H x 7"W x 5 ¹ / ₈ "E	50,000	045923682278	6
62-1416	LED Cage Lantern / White / Frosted Glass	13.5	120	90	3000K	820	9 ⁷ / ₈ "H x 7 ³ / ₄ "W x 4 ³ / ₈ "E	50,000	045923682223	6
62-1417	LED Cage Lantern / Black / Frosted Glass	13.5	120	90	3000K	745	9 ⁷ / ₈ "H x 7 ³ / ₄ "W x 4 ³ / ₈ "E	50,000	045923682230	6
62-1419	LED Spider Cage / White / Frosted Glass	18.5	120	90	3000K	1110	11 ¹ / ₂ "W x 5"H	50,000	045923682247	4
62-1420	LED Spider Cage / Black / Frosted Glass	18.5	120	90	3000K	1110	11 ¹ / ₂ "W x 5"H	50,000	045923682254	4

11", 13" LED flush fixtures

90CRI, 3000K

Applications:

- Kitchens
- Entrances
- Baths
- Hallways
- Office

Features:

- 11", 16.5W – 75W equivalent
- 13", 23.5W – 100W equivalent
- Over 75% energy savings
- 120V
- High color rendition (CRI 90+)
- Dimmable
- Suitable for damp location
- Frosted Glass
- Rated for 50,000 hours
- ENERGY STAR certified
- 5 Year warranty



62-1342 (11"), 62-1343 (13")
Mahogany Bronze



62-1340 (11"), 62-1341 (13")
Brushed Nickel



LED Module

LED flush mount fixtures



Item Number	Description	Watts	Volts	CRI	CCT	Lumens	Dimensions	Life/ Hours	UPC	Pack/ Mstr.
62-1340	11" LED Flush Mount / Brushed Nickel	16.5	120	90+	3000K	1000	11" x 4 5/8"	50,000	045923682162	4
62-1341	13" LED Flush Mount / Brushed Nickel	23.5	120	90+	3000K	1400	13" x 4 5/8"	50,000	045923682179	4
62-1342	11" LED Flush Mount / Mahogany Bronze	16.5	120	90+	3000K	1000	11" x 4 5/8"	50,000	045923682186	4
62-1343	13" LED Flush Mount / Mahogany Bronze	23.5	120	90+	3000K	1400	13" x 4 5/8"	50,000	045923682193	4

4" LED direct wire downlights

- Residential
- Office
- Retail
- Hospitality
- Drop ceilings
- Remodeling
- Direct replacement for 45 Watt reflector lamps uses only 7 Watts
- Integrated j-box for direct wire installation saves time and materials
- Wet location
- Dimmable***
- c-ETL-us
- Long life—40,000 hours
- ENERGY STAR® certified*
- 5 Year warranty

Highlights

- Easy install spring clips
- IC rated
- Low profile
- No recessed can required

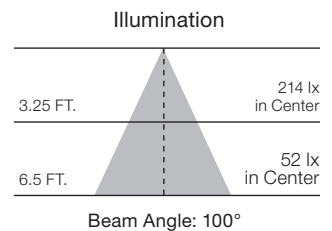


Top view



2 3/4"

5 11/16"



4" LED Direct Wire Downlights



Item Number	Lamp Description	W	V	CRI	CCT	Lm	Bm	M.O.L. (Inches)	Life/Hrs.	UPC	Pack
S39011*	7WLED/DW/RDL/4/27K/120V	7	120	90	2700K	450	100°	2 3/4	40K	045923390111	12/1
S39012*	7WLED/DW/RDL/4/30K/120V	7	120	90	3000K	450	100°	2 3/4	40K	045923390128	12/1
S39013*	7WLED/DW/RDL/4/40K/120V	7	120	90	4000K	490	100°	2 3/4	40K	045923390135	12/1
S39021*	7WLED/DW/RDL/4/50K/120V	7	120	90	5000K	490	100°	2 3/4	40K	045923390210	12/1

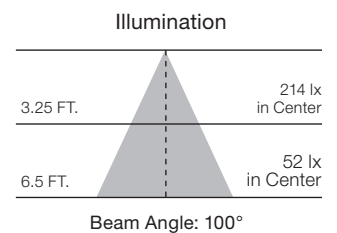
*** Consult Satco or visit www.satco.com for an up to date dimmer compatibility list.

6" LED direct wire downlights

- Residential
- Office
- Retail
- Hospitality
- Drop ceilings
- Remodeling
- Direct replacement for 65 Watt reflector lamps uses only 9 Watts
- Integrated j-box for direct wire installation saves time and materials
- Wet location
- Dimmable***
- c-ETL-us
- Long life—40,000 hours
- ENERGY STAR® certified*
- 5 Year warranty

Highlights

- Easy install spring clips
- IC rated
- Low profile
- No recessed can required



6" LED Direct Wire Downlights



Item Number	Lamp Description	W	V	CRI	CCT	Lm	Bm	M.O.L. (Inches)	Life/Hrs.	UPC	Pack
S39026*	9WLED/DW/RDL/5-6/27K/120V	9	120	90	2700K	620	100°	2 13/16	40K	045923390265	12/1
S39027*	9WLED/DW/RDL/5-6/30K/120V	9	120	90	3000K	620	100°	2 13/16	40K	045923390272	12/1
S39028*	9WLED/DW/RDL/5-6/40K/120V	9	120	90	4000K	700	100°	2 13/16	40K	045923390289	12/1
S39029*	9WLED/DW/RDL/5-6/50K/120V	9	120	90	5000K	700	100°	2 13/16	40K	045923390296	12/1

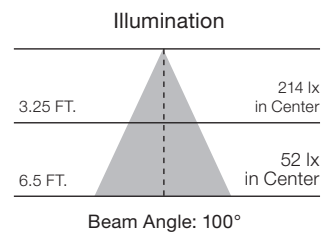
*** Consult Satco or visit www.satco.com for an up to date dimmer compatibility list.

4" LED direct wire edge-lit downlights

- Residential
- Office
- Retail
- Hospitality
- Drop ceilings
- Remodeling
- Direct replacement for 45 Watt reflector lamps uses only 8.5 Watts
- Edge-lit technology
- Slim design
- Integrated j-box for direct wire installation saves time and materials
- Damp location
- Dimmable***
- c-ETL-us
- Long life—40,000 hours
- ENERGY STAR® certified*
- 5 Year warranty

Highlights

- Easy install spring clips
- IC rated
- Low profile
- No recessed can required



4" LED Direct Wire Edge-Lit Downlights

Item Number	Lamp Description	W	V	CRI	CCT	Lm	Bm	M.O.L. (Inches)	Life/Hrs.	UPC	Pack
S39055*	8.5WLED/DW/EL/4/27K/120V	8.5	120	90	2700K	500	100°	1 15/16	40K	045923390555	12/1
S39056*	8.5WLED/DW/EL/4/30K/120V	8.5	120	90	3000K	500	100°	1 15/16	40K	045923390562	12/1
S39057*	8.5WLED/DW/EL/4/40K/120V	8.5	120	90	4000K	540	100°	1 15/16	40K	045923390579	12/1
S39058*	8.5WLED/DW/EL/4/50K/120V	8.5	120	90	5000K	540	100°	1 15/16	40K	045923390586	12/1

*** Consult Satco or visit www.satco.com for an up to date dimmer compatibility list.

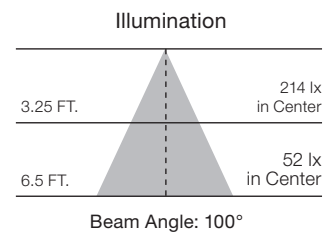


6" LED direct wire edge-lit downlights

- Residential
- Office
- Retail
- Hospitality
- Drop ceilings
- Remodeling
- Direct replacement for 65 Watt reflector lamps uses only 11.6 Watts
- Edge-lit technology
- Slim design
- Integrated j-box for direct wire installation saves time and materials
- Damp location
- Dimmable***
- c-ETL-us
- Long life—40,000 hours
- ENERGY STAR® certified*
- 5 Year warranty

Highlights

- Easy install spring clips
- IC rated
- Low profile
- No recessed can required



6" LED Direct Wire Edge-lit Downlights



Item Number	Lamp Description	W	V	CRI	CCT	Lm	Bm	M.O.L. (Inches)	Life/Hrs.	UPC	Pack
S39061*	11.6WLED/DW/EL/5-6/27K/120V	11.6	120	90	2700K	730	100°	1 15/16	40K	045923390616	12/1
S39062*	11.6WLED/DW/EL/5-6/30K/120V	11.6	120	90	3000K	730	100°	1 15/16	40K	045923390623	12/1
S39063*	11.6WLED/DW/EL/5-6/40K/120V	11.6	120	90	4000K	780	100°	1 15/16	40K	045923390630	12/1
S39059*	11.6WLED/DW/EL/5-6/50K/120V	11.6	120	90	5000K	780	100°	1 15/16	40K	045923390593	12/1

*** Consult Satco or visit www.satco.com for an up to date dimmer compatibility list.


4", 5/6" LED recessed downlight retrofits with selectable color temperature settings

Applications

- Residential
- Office
- Retail
- Hospitality

Features

- **Selectable CCT can be set to 2700K, 3000K, 3500K, 4000K or 5000K**
- **Direct replacement for 50W and 65W reflector lamps - uses only 7W and 9W**
- Dimmable
- Long life—50,000 hours
- Wet location
- 5 Year warranty
- c-UL-us wet location listed
- ENERGY STAR® certified*

E26 Adapter included  (S9001)
 GU10 Adapter sold separately (S9000)



S11801



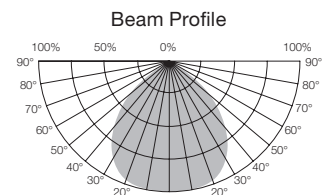
S11800



2700K, 3000K,
 3500K, 4000K, 5000K
 Selectable CCT

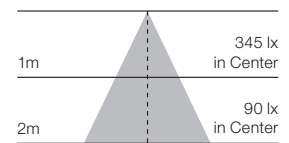


Color changeable -
 5 color temperature
 settings



Beam Angle: 90°

Illumination



Beam Angle: 90°

4", 5/6" LED Recessed Downlight Retrofits with Selectable Color Temperature



Item Number	Lamp Description	W	V	CRI	CCT	Lm	Bm	M.O.L. (Inches)	Life/Hrs.	UPC	Pack
S11800	7WLED/RDL/4/ADJ-CCT/120V	7	120	90	ADJ	600	90°	2 7/8	50K	045923118005	16/1
S11801	9WLED/RDL/5-6/ADJ-CCT/120V	9	120	90	ADJ	800	90°	3 1/3	50K	045923118012	8/1



**Commercial
LED downlights
with Color Quick
technology,
selectable wattage
and lumen output**

Commercial LED downlights with Color Quick technology, selectable wattage and lumen output

Applications

- For retrofit or new construction
- Office
- Retail
- Hospitality
- Healthcare

Features

- Selectable Wattage and CCT
- Remote driver and J box with knockouts
- Quick connect feature for easy installation
- 120-277 range voltage circuit
- 0-10V dimming
- 2700K, 3000K, 3500K, 4000K, 5000K
Selectable
- 80CRI
- Damp location
- cULus listed
- ENERGY STAR certified
- Long life—50,000 hours
- 5 Year warranty

Outboard LED driver/
junction box makes
placement easy, even
in the most challenging
renovations, and mounts
securely into available
mounting plates for new
construction.



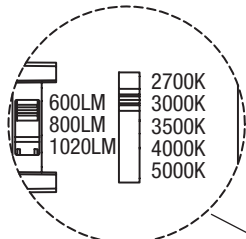
ColorQuick™

2700K, 3000K,
3500K, 4000K, 5000K
Selectable CCT

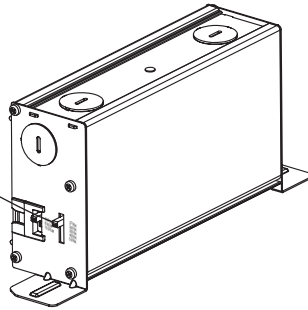


Spring-loaded arms
ensure a tight fit in
existing ceilings or
mounting plate for
new construction.





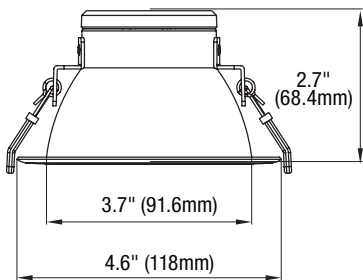
Simple-to-set color temperature, wattage and lumen output.



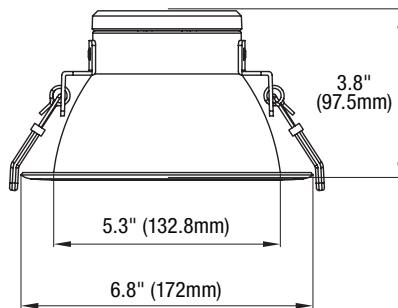
New construction is easy with the available mounting plate



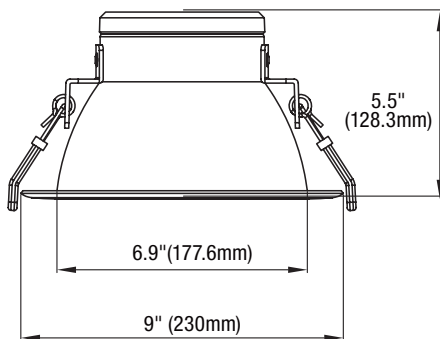
4 inch LED Commercial Downlight



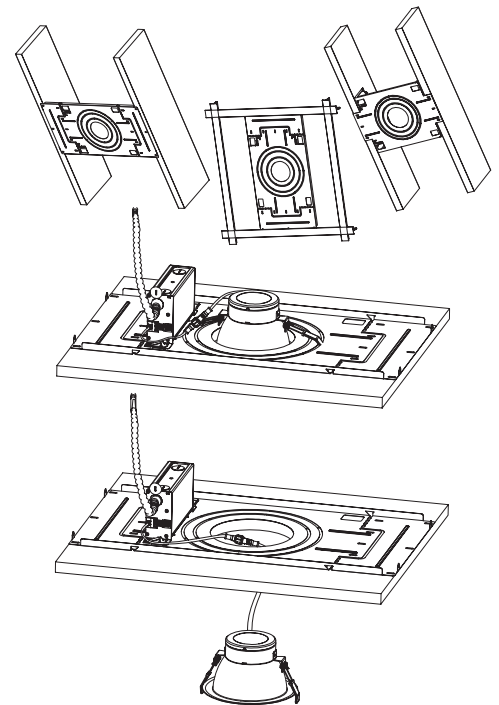
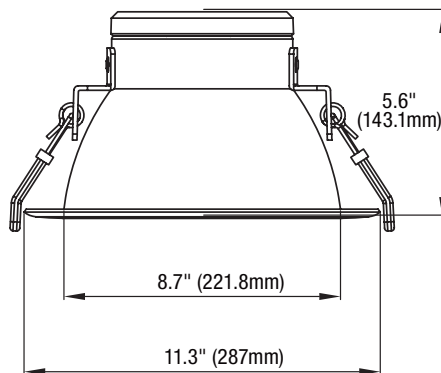
6 inch LED Commercial Downlight



8 inch LED Commercial Downlight



10 inch LED Commercial Downlight



Commercial LED downlights with Color Quick Technology



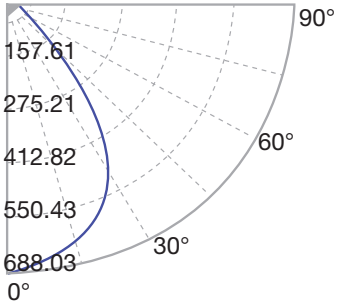
Item #	Lamp Description	Watts	CCT	V	Lumens	CRI	Beam Angle	Finish	Life/ Hrs.	UPC	M/ Case Qty.
S11810	14.5WLED/CDL/4/ADJ-CCT/80D	8.5/11/14.5	27-30-35-40-50K	120-277	600/800/1020	80	80°	White	50K	045923118104	4
S11811	23WLED/CDL/6/ADJ-CCT/80D	11/16/23	27-30-35-40-50K	120-277	900/1200/1750	80	80°	White	50K	045923118111	4
S11812	32WLED/CDL/8/ADJ-CCT/80D	19/26/32	27-30-35-40-50K	120-277	1600/2000/2450	80	80°	White	50K	045923118128	4
S11813	46WLED/CDL/10/ADJ-CCT/80D	33/40/46	27-30-35-40-50K	120-277	2500/3000/3500	80	80°	White	50K	045923118135	4
S11814	14.5WLED/CDL/4/ADJ-CCT/40D	8.5/11/14.5	27-30-35-40-50K	120-277	600/800/1020	80	40°	Silver	50K	045923118142	4
S11815	23WLED/CDL/6/ADJ-CCT/40D	11/16/23	27-30-35-40-50K	120-277	900/1200/1750	80	40°	Silver	50K	045923118159	4
S11816	32WLED/CDL/8/ADJ-CCT/40D	19/26/32	27-30-35-40-50K	120-277	1600/2000/2450	80	40°	Silver	50K	045923118166	4
S11817	46WLED/CDL/10/ADJ-CCT/40D	33/40/46	27-30-35-40-50K	120-277	2500/3000/3500	80	40°	Silver	50K	045923118173	4

Photometry



S11810

14.5WLED/CDL/4/ADJ-CCT/80D

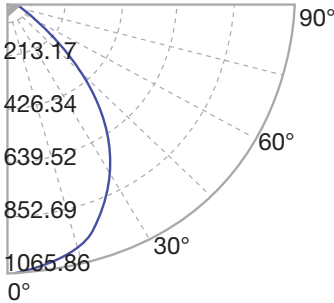


Lumens: 1157 lm
 Power: 13.5 W
 Efficacy: 86 lm/W
 CRI: 80+
 Spacing Criteria: 1.1
 Beam Angle: 77°



S11811

23WLED/CDL/6/ADJ-CCT/80D

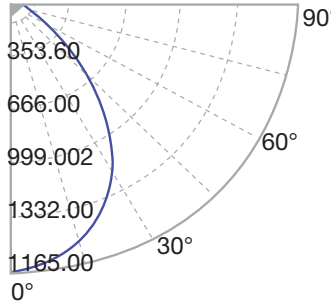


Lumens: 1824 lm
 Power: 22.4 W
 Efficacy: 81 lm/W
 CRI: 80+
 Spacing Criteria: 1.09
 Beam Angle: 77°



S11812

32WLED/CDL/8/ADJ-CCT/80D

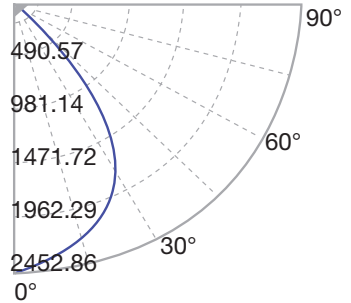


Lumens: 2658 lm
 Power: 31.2 W
 Efficacy: 85 lm/W
 CRI: 80+
 Spacing Criteria: 1.06
 Beam Angle: 74°



S11813

46WLED/CDL/10/ADJ-CCT/80D

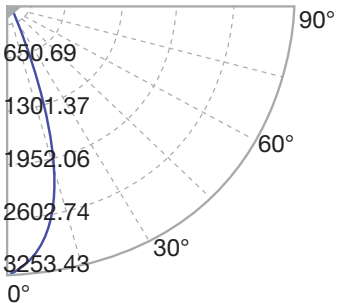


Lumens: 3894 lm
 Power: 44.5 W
 Efficacy: 88 lm/W
 CRI: 80+
 Spacing Criteria: 1.07
 Beam Angle: 77°



S11814

14.5WLED/CDL/4/ADJ-CCT/40D

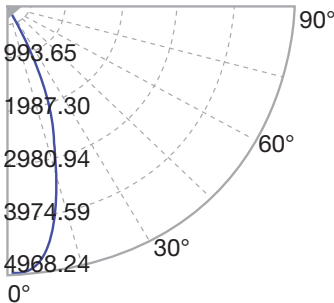


Lumens: 1145 lm
 Power: 13.3W
 Efficacy: 86 lm/W
 CRI: 80+
 Spacing Criteria: 0.53
 Beam Angle: 35°



S11815

23WLED/CDL/6/ADJ-CCT/40D

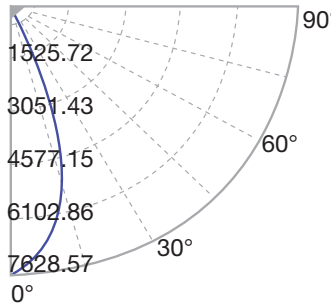


Lumens: 2015 lm
 Power: 22.3 W
 Efficacy: 90 lm/W
 CRI: 80+
 Spacing Criteria: 0.6
 Beam Angle: 36°



S11816

32WLED/CDL/8/ADJ-CCT/40D

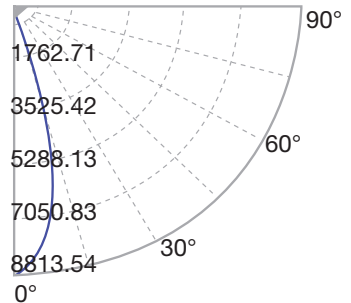


Lumens: 2791 lm
 Power: 30.4 W
 Efficacy: 92 lm/W
 CRI: 80+
 Spacing Criteria: 0.57
 Beam Angle: 35°



S11817

46WLED/CDL/10/ADJ-CCT/40D



Lumens: 3538 lm
 Power: 44.5 W
 Efficacy: 80 lm/W
 CRI: 80+
 Spacing Criteria: 0.6
 Beam Angle: 36°

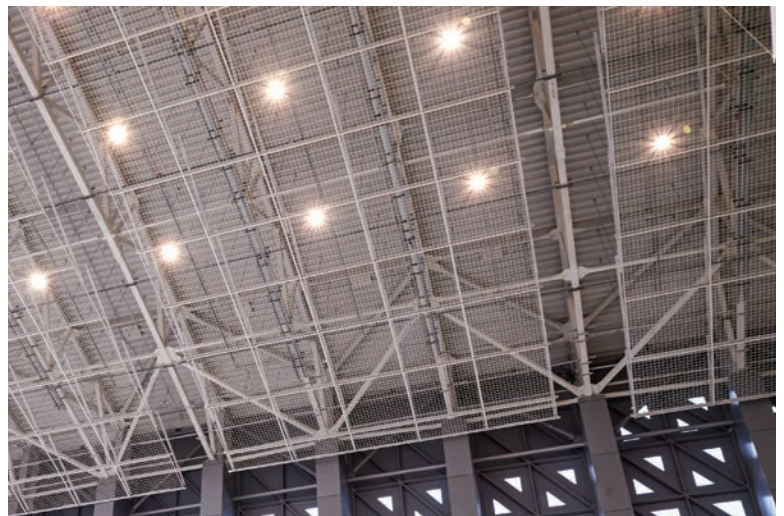
LED UFO High Bay Fixture

Applications

- Industrial/commercial facilities
- Warehouses
- Gymnasiums
- Airports/travel venues
- Retail

Features

- UV powder coated Black or White finish
- Rugged construction
- Die cast aluminum alloy body / stainless steel screws
- Impact resistant diffuser
- 6' Whip
- 100-277V and 277-480V options
- 120° Beam spread (additional optics available)
- Dimmable 0-10V
- 100W, 150W Operating temperature -30°C to 50°C
- 200W Operating temperature -30°C to 40°C
- Suitable for wet location
- IP65
- LED Lifetime: >50,000 hrs



LED UFO High Bay Fixture



*65-181, *65-182



*65-183, *65-184



*65-185, *65-186



65-193, 65-194



65-195, 65-196

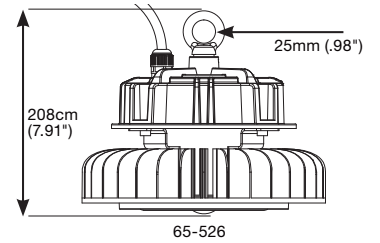
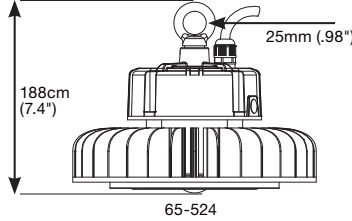
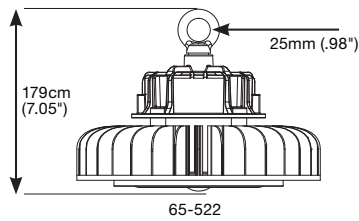
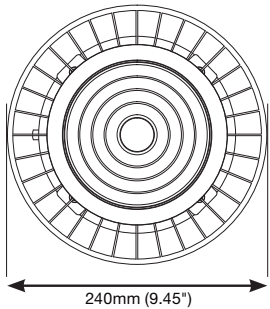
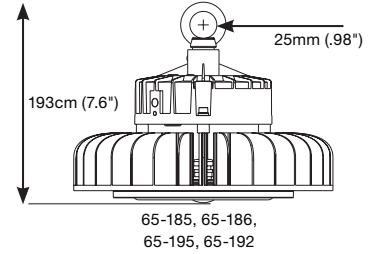
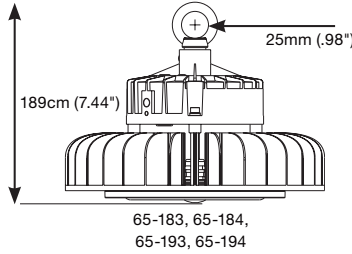
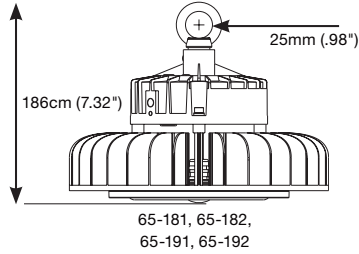
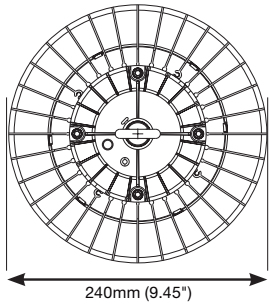


65-191, 65-192

LED UFO High Bay Fixture (100-277V)



Item Number	Lamp Description	W	V	HID Equiv.	Finish	CCT	Lm	CRI	LifeHrs.	UPC	Pack/ Mstr.
65-181	LED UFO High Bay	100	100-277V	200-250W	Black	4000K	13000	70+	50,000	045923738104	1
65-182	LED UFO High Bay	100	100-277V	200-250W	Black	5000K	13000	70+	50,000	045923738111	1
65-183	LED UFO High Bay	150	100-277V	300-400W	Black	4000K	19500	70+	50,000	045923738128	1
65-184	LED UFO High Bay	150	100-277V	300-400W	Black	5000K	19500	70+	50,000	045923738135	1
65-185	LED UFO High Bay	200	100-277V	600W	Black	4000K	26000	70+	50,000	045923738142	1
65-186	LED UFO High Bay	200	100-277V	600W	Black	5000K	26000	70+	50,000	045923738159	1
65-191	LED UFO High Bay	100	100-277V	200-250W	White	4000K	13000	70+	50,000	045923683121	1
65-192	LED UFO High Bay	100	100-277V	200-250W	White	5000K	13000	70+	50,000	045923683138	1
65-193	LED UFO High Bay	150	100-277V	300-400W	White	4000K	19500	70+	50,000	045923683145	1
65-194	LED UFO High Bay	150	100-277V	300-400W	White	5000K	19500	70+	50,000	045923683152	1
65-195	LED UFO High Bay	200	100-277V	600W	White	4000K	26000	70+	50,000	045923683169	1
65-196	LED UFO High Bay	200	100-277V	600W	White	5000K	26000	70+	50,000	045923683176	1



LED UFO High Bay Fixture (277-480V)



Item Number	Lamp Description	W	V	HID Equiv.	Finish	CCT	Lm	CRI	LifeHrs.	UPC	Pack/Mstr.
65-522	LED UFO High Bay	100	277-480V	200-250W	Black	5000K	13000	70+	50,000	045923683190	1
65-524	LED UFO High Bay	150	277-480V	300-400W	Black	5000K	19500	70+	50,000	045923683213	1
65-526	LED UFO High Bay	200	277-480V	600W	Black	5000K	26000	70+	50,000	045923683237	1

Optional Accessories



Prismatic shade (item 65-178) and bottom shade diffuser (item 65-179)



Anti-glare reflector (item 65-187)



Microwave sensor (item 86-207)



Pendant adaptor (item 65-180)



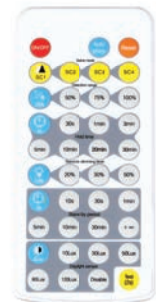
Prismatic shade (item 65-178)



Carabiner hook (item 65-190)



Microwave sensor (item 86-207)



Microwave sensor remote (item 86-208*)



Pendant adaptor (3/8" to 3/4" NPT) (item 65-180)



Bottom shade diffuser (item 65-179)



60° (Item 65-188) or 90° (Item 65-189) optic

Accessories

* One Required Per Installation

Item Number	Description	UPC	Pack/Mstr.
65-178	Optional Add On Prismatic Shade – can be paired with 65-179 bottom	045923683084	5
65-179	Bottom Diffuser (for 65-178)	045923683091	20
65-180	Pendant Adapter (3/8" to 3/4" NPT)	045923683107	20
65-190	Carabiner Hook	045923683114	100
65-187	Optional Add On Anti-Glare Reflector – Clear Prismatic	045923680137	6
65-188	Optional 60° Replacement Optic – Impact resistant diffuser	045923680144	100
65-189	Optional 90° Replacement Optic – Impact resistant diffuser	045923680151	100
86-207	UFO High Bay Sensor Control	045923850011	20
86-208	Remote (for sensor 86-207)	045923850028	20

CCT Selectable LED direct wire, back-lit, linear downlights

Applications

- Residential/Commercial
- Office
- Retail
- Hospitality
- Drop ceilings
- Remodeling

Highlights

- Sleek design allows for advanced architectural installations
- New sizes for more applications
- Selectable CCT
- Back-lit design delivers even light distribution
- Direct wire — built-in j box — no recessed can required
- Easy install spring clips
- IC rated
- Low profile

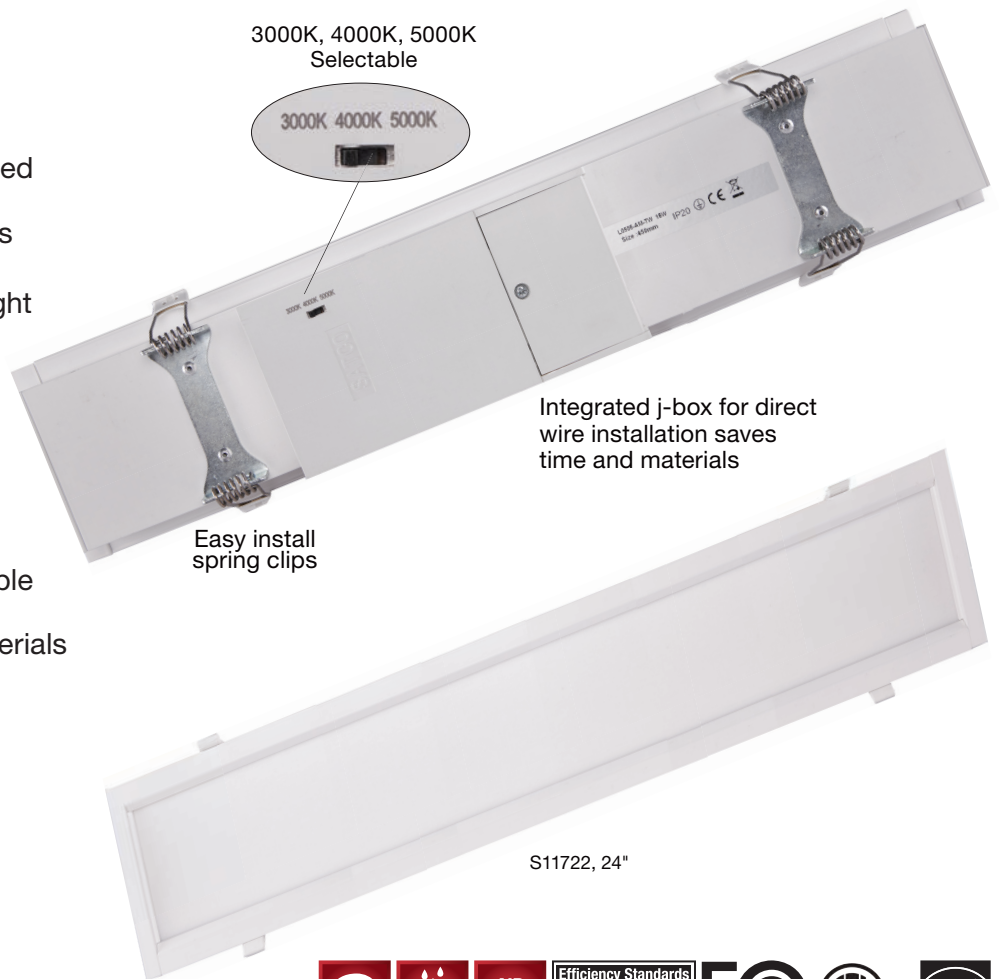
Features

- 3000K, 4000K, 5000K Selectable
- Integrated j-box for direct wire installation saves time and materials
- Dimmable*
- 120V
- Long life — 40,000 hours
- CEC/T20/T24 Compliant
- c-ETL-us listed
- Damp location
- ENERGY STAR® certified
- 5 Year warranty



ColorQuick™

3000K, 4000K, 5000K
Selectable CCT



CCT Selectable LED Direct Wire, Back Lit, Linear Downlights - White Finish



Item #	Lamp Description	W	V	CRI	CCT	Lm	Bm	M.O.L. (Inches)	Life/Hrs.	UPC	Case Qty.
S11720	10WLED/DW/LINEAR/ 12"ADJ-CCT	10	120	90	3000/4000/5000	750	90°	12L x 2.95H	40K	045923117206	12
S11721	15WLED/DW/LINEAR/ 18"ADJ-CCT	15	120	90	3000/4000/5000	1125	90°	18L x 2.95H	40K	045923117213	12
S11722	20WLED/DW/LINEAR/ 24"ADJ-CCT	20	120	90	3000/4000/5000	1500	90°	24L x 2.95H	40K	045923117220	12
S11723	25WLED/DW/LINEAR/ 32"ADJ-CCT	25	120	90	3000/4000/5000	1875	90°	32L x 2.95H	40K	045923117237	12
S11724	40WLED/DW/LINEAR/ 48"ADJ-CCT	40	120	90	3000/4000/5000	3000	90°	48L x 2.95H	40K	045923117244	12

*Consult Satco or visit www.satco.com for an up to date dimmer compatibility list.



National Toll-Free:
800-43-SATCO
(800-437-2826)
www.satco.com

Copyright © 2020
Satco Products, Inc
All Rights Reserved.
1/20 SA2320



Distribution Centers:

FLORIDA
900 N.W. 159th Dr.
Miami, FL 33169
PH 305-624-2044
FX 305-623-0286

CALIFORNIA
31288 San Benito St.
Hayward, CA 94544
PH 510-487-4822
FX 510-487-8955

WASHINGTON
4710 116th St. S.W.
Mukilteo, WA 98275
PH 425-789-3300
FX 425-789-3310

TEXAS
2000 Valwood Pkwy.
Farmers Branch, TX
75234
PH 972-247-2437
FX 972-247-5408

PUERTO RICO
Campeche St. 23
Julio N. Matos
Industrial Park,
Carolina, PR 00984
PH 787-757-3510
FX 787-757-3540

**Corporate Offices and
Distribution Center:**

NEW YORK
110 Heartland Blvd.
Brentwood, NY 11717
PH 631-243-2022
FX 631-243-2027