



FSPD 036



FSPD060, FSPD100, FSPD140

FSPD SERIES FOR EXTERNAL APPLICATIONS

BoltShield™ Surge Protection Devices

usa.siemens.com/surge

SIEMENS

Material ID	Surge Current Rating
FSPD036	36kA

General Specifications

UL Type Designation	Type 1
UL 1449 I-nominal Rating	10kA
UL 1449 Short Circuit Current Rating	200kA

Design Specifications

Custom MOV design for high energy handling in Category C locations
Thermally protected MOVs
External parallel connected for mounting next to electrical gear
Reduced mode of protection (L1-N, L2-N)

Diagnostic and Status Monitoring Specifications

LED Protection Status Monitoring (Single LED Standard)
--

Enclosure

Polycarbonate 4.25" x 2.41" x 2.75"
Lid ultrasonically sealed
NEMA 4X
1/2 inch NPT Side Mount Nipple

Filtering

NO

Physical Specifications

Humidity Range	0-95% non-condensing
Operating Frequency	50-60Hz
Operating Temperature	-35°C to +85°C
Typical Connection	18" #12 AWG (pre-wired pig tails)

Standards Compliance and Certifications

UL 1449 5th Edition: 2021, cULus, ANSI/IEEE C62.41.1-2002, C62.41.2-2002, C62.45-2002, NEC Article 285

ISO 9001:2014 Quality Management System, ISO 17025:2007 Laboratory Certification (UL DAP Program) Compliance with RoHS, REACH & California Prop 65.

100% Quality Tested prior to shipping

Material ID	Surge Current Rating
FSPD060 *Coming Soon*	60kA
FSPD100 *Coming Soon*	100kA
FSPD140	140kA

General Specifications

UL Type Designation	Type 2
UL 1449 I-nominal Rating	20kA
UL 1449 Short Circuit Current Rating	200kA

Design Specifications

Custom MOV design for high energy handling in Category C locations
Thermally protected MOVs
External parallel connected for mounting next to electrical gear
All modes of protection (L-N, L-G, N-G)

Diagnostic and Status Monitoring Specifications

Phase Loss Monitoring (Standard)
Audible Alarm (Standard)
Form C Dry Contact, 240V, 2A (Standard)
3 GREEN LEDs – one for each Line disconnect
1 RED LED – flashes if fault condition:
GRM (Ground Reference Monitoring), N-G voltage > 20V detected.

Enclosure

Polycarbonate 7.95" x 3.06" x 2.75"
Lid screwed and gasketed
NEMA 4X
3/4 inch NPT Side Mount Nipple

Filtering

Standard (UL 1283)

Physical Specifications

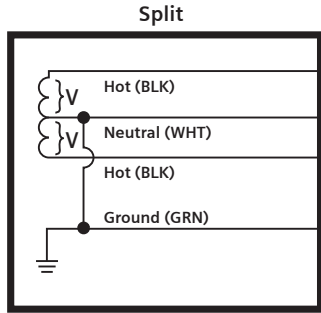
Humidity Range	0-95% non-condensing
Operating Frequency	50-60Hz
Operating Temperature	-40°C to +85°C
Typical Connection	18" #12 AWG (pre-wired pig tails)

FSPD

FSPD036	Voltage Code	System Voltage	L-N	L-G	L-L	N-G	MCOV
	A	120/240V, 1Ø, 3W	700	-	1200	-	150

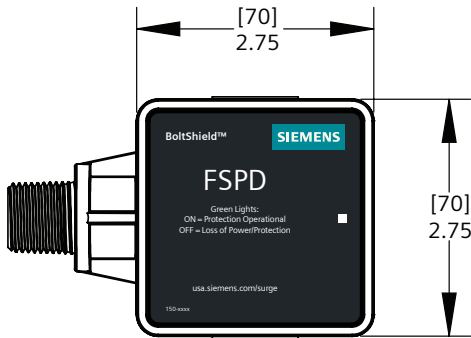
FSPD060, FSPD100, FSPD140	Voltage Code	System Voltage	L-N	L-G	L-L	N-G	MCOV
	A	120/240V, 1Ø, 3W	700	700	1200	700	150

FSPD036 Wiring Configurations



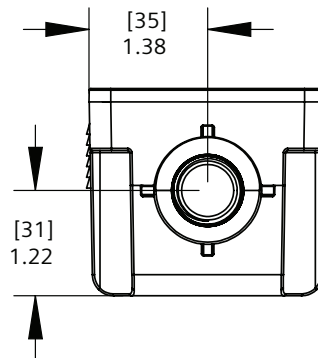
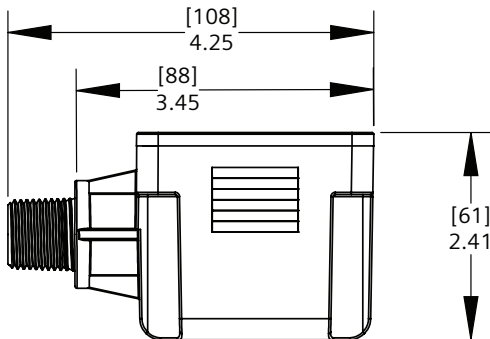
2 Hots, 1 Neu, 1 Grnd

FSPD036 Product Diagram [in millimeters] and inches

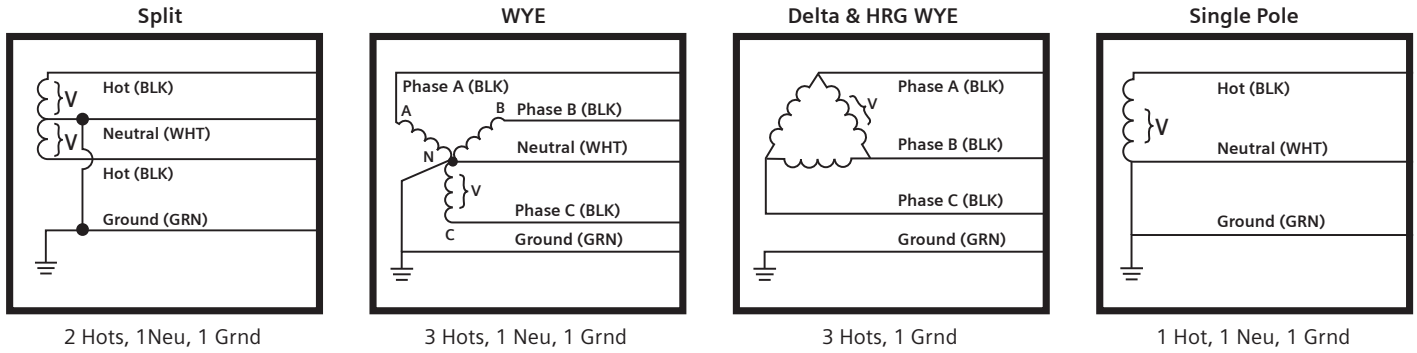


Size and Mechanical Specifications

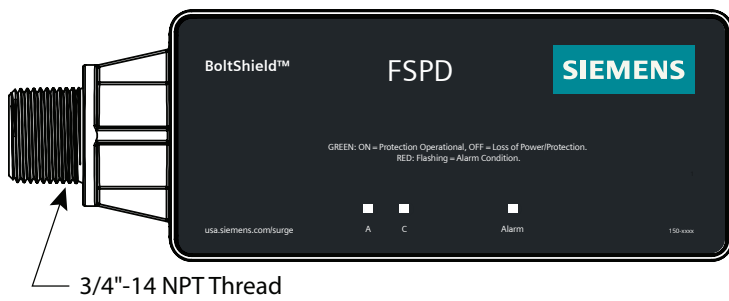
Dimensions	4.25" x 2.41" x 2.75"
Weight	0.46 lbs.
Enclosure Type	Polycarbonate NEMA 4X
Installation Type	Indoor/Outdoor
Mounting Method	Flush/Flange/Through-hole



FSPD060, FSPD100, FSPD140 Wiring Configurations

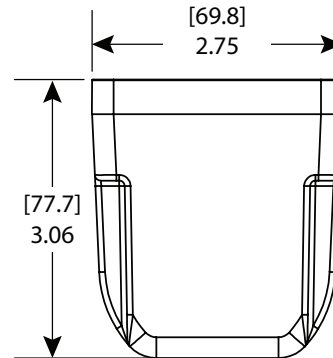
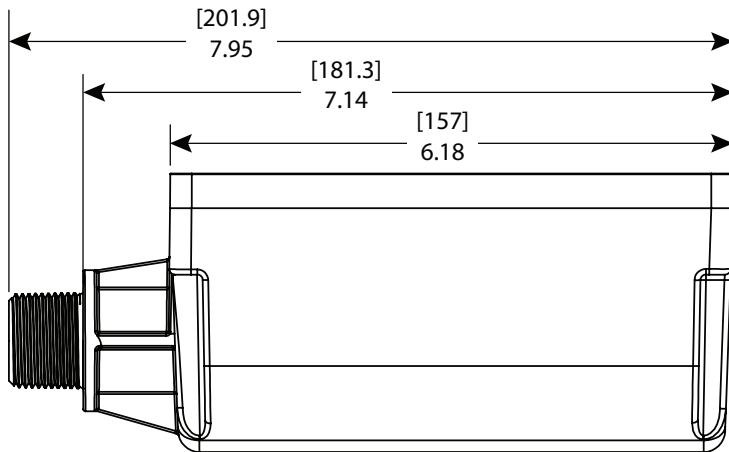


FSPD060, FSPD100, FSPD140 Product Diagram [in millimeters] and inches



Size and Mechanical Specifications

Dimensions	7.95" x 3.06" x 2.75"
Weight	1.38 lbs.
Enclosure Type	Polycarbonate NEMA 4X
Installation Type	Indoor/Outdoor
Mounting Method	Flush/Flange/Through-hole



Legal Manufacturer

Siemens Industry, Inc.
3617 Parkway Ln
Peachtree Corners, GA 30092
United States of America

Telephone: +1 (800) 333-7421
www.usa.siemens.com/surge

Order No. RPFL-FSPD-0822
© 08.2022, Siemens Industry, Inc.

This document contains a general description of available technical options only, and its effectiveness will be subject to specific variables including field conditions and project parameters. Siemens does not make representations, warranties, or assurances as to the accuracy or completeness of the content contained herein. Siemens reserves the right to modify the technology and product specifications in its sole discretion without advance notice.