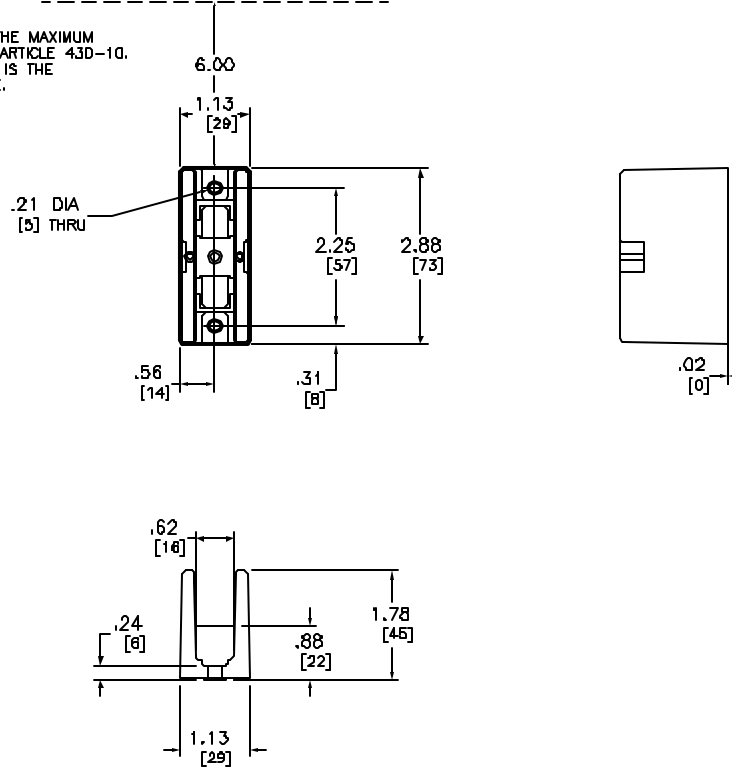


POWER DISTRIBUTION BLOCK	LUG WIRE RANGE *	
	MAIN	BRANCH
9080-LBA162101	(1) #14-2/D	(1) #14-2/O
9080-LBA162104	(1) #14-2/D	(4) #14-4

* LUGS SUITABLE FOR USE WITH 75° C CONDUCTORS BASED ON NEC TABLE 310-16

ELECTRICAL CLEARANCE/WIRE BENDING SPACE

WIRE BENDING SPACE IS BASED UPON THE MAXIMUM WIRE SIZE OF THE TERMINAL, AND NEC ARTICLE 430-10. WIRE BENDING SPACE FOR THE BOTTOM IS THE SAME AS THE TOP WIRE BENDING SPACE.



Catalog Number: 9080-LBA162101/9080-LBA162104
 Ratings: 600VAC, 175 AMP
 UL File/CCN: E60616/XCFR2
 CSA File/Class: LR70301
 Meets Standards: -
 Weight: -
 Wire Sizes: SEE CHART
 Terminal torque: -
 Mounting Hwd.: #10 SCREWS

DUAL DIMENSIONS: INCHES
 MILLIMETERS

TERMINAL BLOCKS
 (POWER DISTRIBUTION BLOCKS)
 CLASS 9080 TYPE LBA



DWG# E0803301-01
 NO.