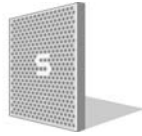


Schwank
INNOVATIVE HEATING SOLUTIONS



infrasaVe
radiant heaters

ECOSCHWANK-X

IL-X

LUMINOUS GAS FIRED

INFRA RED HEATER

REPLACEMENT PARTS LIST

NOTICE:

The manufacturer reserves the right to make changes to equipment and specifications without obligation of notification

This publication or parts thereof may not be reproduced in any form without prior written consent from the manufacturer. Unauthorized use or distribution of this publication is strictly prohibited

Schwank USA, Inc.

PO Box 988, 2 Schwank Way
Waynesboro, GA 30830

Schwank Ltd.

5285 Bradco Blvd.
Mississauga, Ontario L4W 2A6

Customer & Technical Services:

1-877-446-3727

Fax: 1-866-361-0523

csr@schwankgroup.com

Schwank and InfraSave brand products

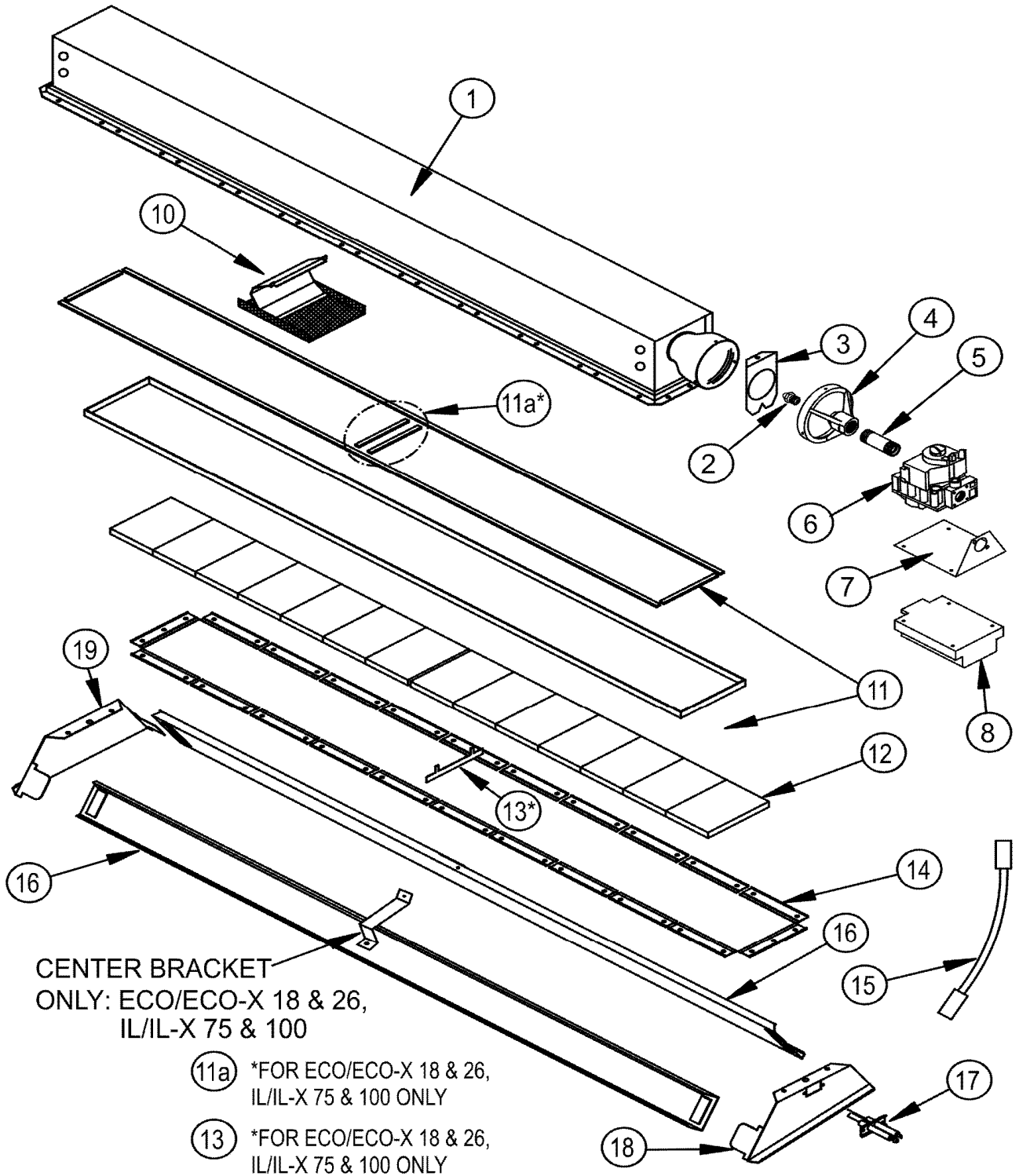
www.SchwankUSA.com

www.Schwank.ca

www.InfraSave.com



ECOSCHWANK-X; IL-X MODELS



ecoSchwank-X / IL-X MODELS					
ITEM	PART NUMBER	PART DESCRIPTION			
1	BURNER BODY ~ INCLUDES TILES MOUNTED IN BODY				
	JX-X025-BO	ECO-X 6 / IL-X 25: BODY + Mounted TILES			
	JX-X037-BO	ECO-X 10 / IL-X 37: BODY + Mounted TILES			
	JX-X050-BO	ECO-X 13 / IL-X 50: BODY + Mounted TILES			
	JX-X075-BO	ECO-X 18 / IL-X 75: BODY + Mounted TILES			
	JX-X100-BO	ECO-X 26 / IL-X 100: BODY + Mounted TILES			
	JX-X150-BO	ECO-X 32 / IL-X 150: BODY + Mounted TILES			
	JX-X200-BO	ECO-X 52 / IL-X 200: BODY + Mounted TILES			
2	MAIN BURNER ORIFICE - See chart below				
3	VENTURI AERATION RESTRICTOR PLATE (AIR THROTTLE) - See chart below				
ORIFICE & AIR RESTRICTOR CHART - ecoSchwank-X / IL-X					
		Natural Gas		Propane Gas	
Model	Gas Type -> Input (Btuh)	Orifice Part #	Air Throttle Part #	Orifice Part #	Air Throttle Part #
ECO-X 6 / IL-X 25	21,500	JX-0748-DM	JL-0764-XX	JX-0755-DM	JL-0764-XX
ECO-X 10 / IL-X 37	34,000	JX-0741-DM	JO-0373-CC-	JX-0752-DM	JO-0373-AA-
ECO-X 13 / IL-X 50	50,000	JX-0731-DM	JO-0373-XX-	JX-0747-DM	JO-0373-XX-
ECO-X 18 / IL-X 75	71,500	JX-0729-DM	JO-0375-XX-	JX-0742-DM	JO-0379-XX-
ECO-X 26 / IL-X 100	100,000	JX-0719-DM	None	JX-0733-DM	None
ECO-X 36 / IL-X 150	150,000	2 x JX-0729-DM	2 x JO-0375-XX-	2 x JX-0742-DM	2 x JO-0379-XX-
ECO-X 52 / IL-X 200	200,000	2 x JX-0719-DM	None	2 x JX-0733-DM	None
4	JX-0210-XX	ORIFICE HOLDER - ALL MODELS - ALL SIZES			
5		1", 2" & 2.5" X 1/2" MPT Pipe Nipple - Available at any supply house			
6	COMBINATION GAS VALVE				
	JL-0701-XX	ECO-X & IL-X N.G. (ALL SIZES)			
	JL-0703-LF	ECO-X 6 & IL-X 25: 21,500 Btuh L.P. Gas			
	JL-0703-XX	ECO-X & IL-X L.P. Gas (ALL SIZES EXCEPT 21,500 Btuh)			
7	JX-0206-XX	CONTROL BRACKET - ALL MODELS AND SIZES			
8	DIRECT SPARK IGNITION CONTROL				
	JP-2573-FW	FENWAL 35-60 D.S.I. CONTROL			
	JX-0201-DD	DSI - FENWAL - TWO BURNER: ECO-X 36, 52 & IL-X 150, 200;			
	JX-0202-XX	HONEYWELL S87C D.S.I. CONTROL ... DISCONTINUED			
	JP-2573-EK	FENWAL 35-60 D.S.I. CONTROL KIT - REPLACES S87C CONTROL			
10	BAFFLE ASSEMBLY - welded integral part - replace burner body if defective				
11	GASKET SET				
	JX-0245-AA	ECO-X 6 & IL-X 25			
	JX-0245-XX	ECO-X 10 & IL-X 37			
	JX-0246-XX	ECO-X 13 & IL-X 50			
+ 11a	JX-0247-XX	ECO-X 18, 36 & IL-X 75, 150 (INCLUDES 11A)			
+ 11a	JX-0248-XX	ECO-X 26, 52 & IL-X 100, 200 (INCLUDES 11A)			
12	JO-0370-CX	CERAMIC TILE - ALL MODELS - ALL SIZES			
13	Integral tile support - welded to body - not replaceable				

ecoSchwank-X & IL-X MODELS - continued		
ITEM	PART NUMBER	PART DESCRIPTION
14		ECO-X / IL-X / TILE RETAINERS - STAINLESS STEEL - CRIMP-ON
	JX-0243-XX	TILE RETAINER - EACH END - ALL MODELS - ALL SIZES
	JX-0243-XA	TILE RETAINER - 10-3/4" - ECO-X 6 / IL-X 25 (1 Each Side)
	JX-0243-XB	TILE RETAINER - 9" - ECO-X 10 / IL-X 37 (2 Each Side)
	JX-0243-XC	TILE RETAINER - 12-5/8" - ECO-X 13 (2 Each Side)
		TILE RETAINER - 12-5/8" - ECO-X 18, 36 & IL-X 75, 150 (3 Each Sides)
		TILE RETAINER - 12-5/8" - ECO-X 26, 52 & IL-X 100, 200 (4 Each Side)
15		HIGH VOLTAGE WIRE - SPARK
	JX-0228-ZZ	STANDARD - 1/4" SPADE CONNECTOR EACH END FOR FENWAL DSI
	JX-0228-XX	BULLET CONNECTOR FOR HONEYWELL S87C CONTROL
16		ECO-X / ECO-MX / IL-X / IL-MX SIDE REFLECTOR (EACH PIECE)
	JX-0287-XA	ECO-X 6 / IL-X 25
	JX-0287-XE	ECO-X 10 / IL-X 37
	JX-0288-XE	ECO-X 13 / IL-X 50
	JX-0289-XE	ECO-X 18 / IL-X 75; ECO-X 36 / IL-X 150
	JX-0290-XE	ECO-X 26 / IL-X 100; ECO-X 52 / IL-X 200
17	JX-0204-SC	IGNITER SENSOR
18	JX-0285-XX	IGNITER END REFLECTOR : ECO-X 6 -> 26 & IL-X 25 -> 100
	JX-0286-IX-	IGNITER END REFLECTOR : ECO-X 36, 52 & IL-X 150, 200
19	JX-0286-XX	END REFLECTOR : ECO-X 6 -> 26 & IL-X 25 -> 100
	JX-0286-BX-	END REFLECTOR : ECO-X 36, 52 & IL-X 150, 200
NOT SHOWN - WIRES ARE COMPLETE WITH SPADE TERMINALS		
		LOW VOLTAGE WIRE - SENSOR
		LOW VOLTAGE WIRE - VALVE
		LOW VOLTAGE WIRE - GROUND
		LOW VOLTAGE WIRE - IGNITER GROUND
GAS CONVERSION KITS - SEE CURRENT SCHWANK PRICE LIST		