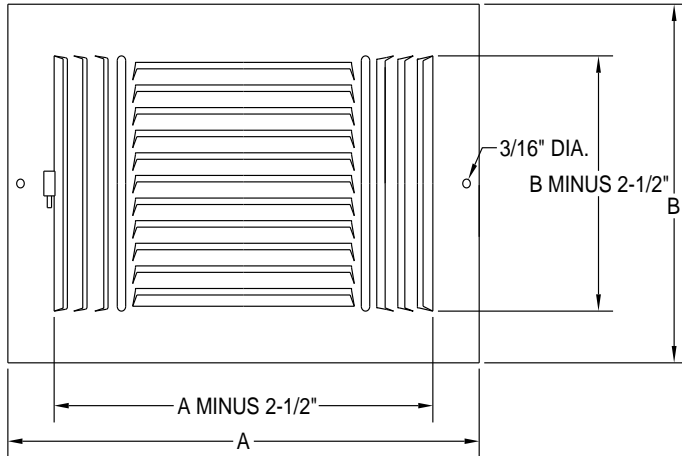
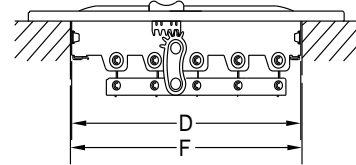
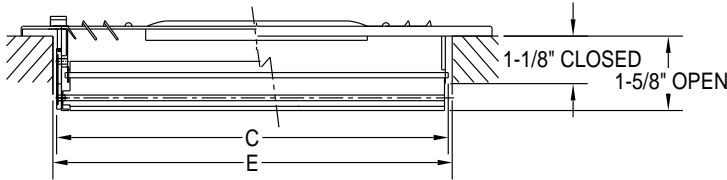




# MFSCR\_W3 SERIES 3-WAY SIDEWALL CEILING REGISTER SPECIFICATION CHART



- Heavy Gauge Steel Construction
- Integral Multi-Shutter Damper
- 3 - Way Deflection
- Finish: White

3-Way Sidewall/Ceiling Dimensional Chart

| Size (ExF) | Dimensions (See Detail Sketches) |        |       |       | Size (ExF) | Dimensions (See Detail Sketches) |        |        |        |
|------------|----------------------------------|--------|-------|-------|------------|----------------------------------|--------|--------|--------|
|            | A                                | B      | C     | D     |            | A                                | B      | C      | D      |
| 6x6        | 7-3/4                            | 7-3/4  | 5-7/8 | 5-5/8 | 12x4       | 13-3/4                           | 5-3/4  | 11-7/8 | 3-5/8  |
| 8x4        | 9-3/4                            | 5-3/4  | 7-7/8 | 3-5/8 | 12x6       | 13-3/4                           | 7-3/4  | 11-7/8 | 5-5/8  |
| 8x6        | 9-3/4                            | 7-3/4  | 7-7/8 | 5-5/8 | 12x8       | 13-3/4                           | 9-3/4  | 11-7/8 | 7-5/8  |
| 8x8        | 9-3/4                            | 9-3/4  | 7-7/8 | 7-5/8 | 12x12      | 13-3/4                           | 13-3/4 | 11-7/8 | 11-5/8 |
| 10x4       | 11-3/4                           | 5-3/4  | 9-7/8 | 3-5/8 | 14x4       | 15-3/4                           | 5-3/4  | 13-7/8 | 3-5/8  |
| 10x6       | 11-3/4                           | 7-3/4  | 9-7/8 | 5-5/8 | 14x6       | 15-3/4                           | 7-3/4  | 13-7/8 | 5-5/8  |
| 10x8       | 11-3/4                           | 9-3/4  | 9-7/8 | 7-5/8 | 14x8       | 15-3/4                           | 9-3/4  | 13-7/8 | 7-5/8  |
| 10x10      | 11-3/4                           | 11-3/4 | 9-7/8 | 9-5/8 |            |                                  |        |        |        |

### 3-Way Sidewall/Ceiling Register

| Face Velocity                            |           | 300     | 400     | 500    | 600      | 700     | 800      | 900     | 1000     |
|--|-----------|---------|---------|--------|----------|---------|----------|---------|----------|
| <b>Pressure Loss (In H<sub>2</sub>O)</b> |           | 0.008   | 0.012   | 0.016  | 0.024    | 0.032   | 0.044    | 0.052   | 0.064    |
| <b>6x6</b><br>Ak .11                     | Total cfm | 30      | 40      | 50     | 65       | 75      | 85       | 95      | 105      |
|  | cfm L/S   | 10/10   | 13/14   | 16/17  | 21/22    | 24/26   | 27/29    | 30/32   | 34/36    |
|  | Throw L/S | 3/3     | 3.5/3.5 | 4/4    | 5.5/5.5  | 6/6     | 7/7      | 8/8     | 9/9      |
| <b>8x4</b><br>Ak .10                     | Total cfm | 25      | 35      | 45     | 55       | 65      | 70       | 80      | 90       |
|  | cfm L/S   | 13/6    | 17/9    | 24/11  | 29/13    | 34/16   | 37/17    | 42/19   | 48/22    |
|  | Throw L/S | 3/2.5   | 4/3     | 5/3.5  | 6/4      | 7/5     | 7.5/5.5  | 8.5/6   | 10/6.5   |
| <b>8x6</b><br>Ak .15                     | Total cfm | 40      | 55      | 70     | 85       | 100     | 115      | 125     | 140      |
|  | cfm L/S   | 22/10   | 29/14   | 37/17  | 51/24    | 51/24   | 59/27    | 66/30   | 73/34    |
|  | Throw L/S | 4/3     | 6/4     | 7/5    | 10/7     | 10/7    | 11/8     | 12/9    | 14/10    |
| <b>8x8</b><br>Ak .21                     | Total cfm | 60      | 80      | 100    | 120      | 140     | 160      | 180     | 200      |
|  | cfm L/S   | 32/15   | 42/19   | 53/24  | 63/29    | 74/34   | 84/39    | 95/44   | 105/48   |
|  | Throw L/S | 5/4     | 7/5     | 9/7    | 10/8     | 12/9    | 14/10    | 15/11   | 17/12    |
| <b>10x4</b><br>Ak .12                    | Total cfm | 35      | 45      | 60     | 70       | 80      | 90       | 105     | 115      |
|  | cfm L/S   | 21/7    | 29/8    | 33/11  | 45/13    | 51/14   | 58/16    | 67/19   | 74/21    |
|  | Throw L/S | 4/2     | 5/2.5   | 6/3.5  | 7.5/4    | 8.5/4.5 | 9.5/5    | 11/6    | 12/6.5   |
| <b>10x6</b><br>Ak .18                    | Total cfm | 55      | 75      | 95     | 110      | 130     | 150      | 165     | 185      |
|  | cfm L/S   | 35/10   | 48/14   | 61/17  | 70/20    | 83/23   | 96/27    | 106/30  | 118/33   |
|  | Throw L/S | 4.5/2.5 | 6.5/3.5 | 8/4    | 9/5      | 11/5.5  | 12.5/6.5 | 14/7.5  | 15.5/8.5 |
| <b>10x8</b><br>Ak .29                    | Total cfm | 80      | 105     | 130    | 155      | 180     | 210      | 235     | 260      |
|  | cfm L/S   | 44/17   | 58/23   | 73/29  | 87/34    | 102/40  | 116/46   | 131/51  | 146/57   |
|  | Throw L/S | 7/4     | 9/6     | 11/7   | 13/8     | 15/9    | 17/10    | 19/11   | 21/12    |
| <b>10x10</b><br>Ak .32                   | Total cfm | 95      | 125     | 155    | 185      | 215     | 250      | 280     | 310      |
|  | cfm L/S   | 60/17   | 80/22   | 99/28  | 119/34   | 139/39  | 159/45   | 179/50  | 199/56   |
|  | Throw L/S | 7/5     | 10/6    | 11/7   | 13/8     | 16/9    | 18/11    | 20/12   | 22/13    |
| <b>12x4</b><br>Ak .14                    | Total cfm | 40      | 55      | 70     | 85       | 100     | 110      | 125     | 140      |
|  | cfm L/S   | 21/10   | 29/13   | 36/17  | 44/20    | 51/23   | 56/26    | 65/29   | 73/34    |
|  | Throw L/S | 4.5/3.5 | 6/4     | 8/5.5  | 9/6      | 11/7.5  | 12.5/8   | 14/8.5  | 15.5/10  |
| <b>12x6</b><br>Ak .22                    | Total cfm | 70      | 90      | 115    | 135      | 160     | 180      | 205     | 225      |
|  | cfm L/S   | 36/17   | 47/22   | 60/28  | 70/32    | 83/38   | 94/43    | 107/49  | 117/54   |
|  | Throw L/S | 4.5/3.5 | 6/4     | 8/5.5  | 9/6      | 11/7.5  | 12.5/8   | 14/8.5  | 15.5/10  |
| <b>12x8</b><br>Ak .33                    | Total cfm | 95      | 130     | 160    | 190      | 225     | 255      | 290     | 320      |
|  | cfm L/S   | 50/23   | 67/31   | 83/38  | 100/46   | 116/54  | 133/61   | 150/69  | 166/77   |
|  | Throw L/S | 7/5     | 9/6     | 11/7   | 13/9     | 14/10   | 16/11    | 18/12   | 19/13    |
| <b>12x12</b><br>Ak .48                   | Total cfm | 140     | 190     | 235    | 280      | 330     | 375      | 425     | 470      |
|  | cfm L/S   | 73/34   | 98/45   | 122/56 | 147/68   | 171/79  | 196/90   | 220/102 | 245/113  |
|  | Throw L/S | 8/5     | 10/7    | 13/8   | 15/10    | 17/11   | 20/13    | 22/15   | 25/16    |
| <b>14x4</b><br>Ak .17                    | Total cfm | 50      | 65      | 80     | 100      | 115     | 130      | 150     | 165      |
|  | cfm L/S   | 26/13   | 34/16   | 42/20  | 52/25    | 60/29   | 72/33    | 79/38   | 87/41    |
|  | Throw L/S | 5.5/3.5 | 7.5/4.5 | 10/5.5 | 12/6.5   | 14/8    | 15.5/9   | 18/10   | 20/11    |
| <b>14x6</b><br>Ak .25                    | Total cfm | 85      | 115     | 145    | 175      | 205     | 230      | 260     | 290      |
|  | cfm L/S   | 51/17   | 69/23   | 87/29  | 105/35   | 123/41  | 138/46   | 156/52  | 174/58   |
|  | Throw L/S | 5.5/3.5 | 7.5/4.5 | 10/5.5 | 12/6.5   | 14/8    | 15.5/9   | 18/10   | 20/11    |
| <b>14x8</b><br>Ak .33                    | Total cfm | 115     | 155     | 195    | 235      | 275     | 310      | 350     | 390      |
|  | cfm L/S   | 69/23   | 93/31   | 117/39 | 141/47   | 165/55  | 186/62   | 210/70  | 234/78   |
|  | Throw L/S | 6.5/4   | 9/5     | 11/6   | 13.5/7.5 | 16.9    | 18/10    | 20/11.5 | 22/12.5  |

Terminal velocity of 75 fpm & Throw (ft)

