

UNIVERSAL BRACKETING SYSTEM

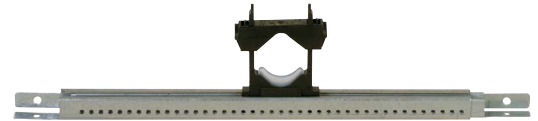
» 523-16 SERIES

PowerBar™

ITEM # SUBMITTED	_____
JOB NAME	_____
LOCATION	_____
ENGINEER	_____
CONTRACTOR	_____
PO#	_____ TAG _____

SPECIFICATION

Sioux Chief 523-16 Series PowerBar™ universal bracketing system shall be used where necessary for supporting pipe or stub outs in residential and commercial applications. Bracket shall be designed to adjust telescopically from 9"–16" and include dual fastening tabs on each end. Pilot holes shall be provided on three sides of the bracket measuring .1". Bracket shall be manufactured using pre-galvanized steel to resist rust. Bracket assembly shall include screws for fastening tabs, and optional UV-resistant adjustable channel clamps with elastomer inserts for securing and supporting pipe, tube, cable, etc. Bracketing system shall be compatible with copper, PEX and CPVC and listed by UPC/IAPMO.



523-1610

INSTALLATION

Adjust bracket telescopically to fit between studs/joists. Fasten all four tabs to building member. Slide channel clamps (if applicable) to desired position. Place tube between clamp posts, and engage clamp bridge. Ratchet bridge evenly over both posts. Using one bracket section and fastening directly to building structure to use as a pipe organizer is acceptable.

MATERIALS

- Bracket:** 20-ga. galvanized steel
- Channel clamp:** Nylon 66, UL-94 V2 flame rating
- Clamp insert:** TPE
- Screws:** #8 × 1" zinc-plated, pan-head Phillips with drill tip

SAFE WORKING LOAD*

Bracket Span	Safe load
9"	90 lbs. (max)
12"	82 lbs.
15"	66 lbs. (min)

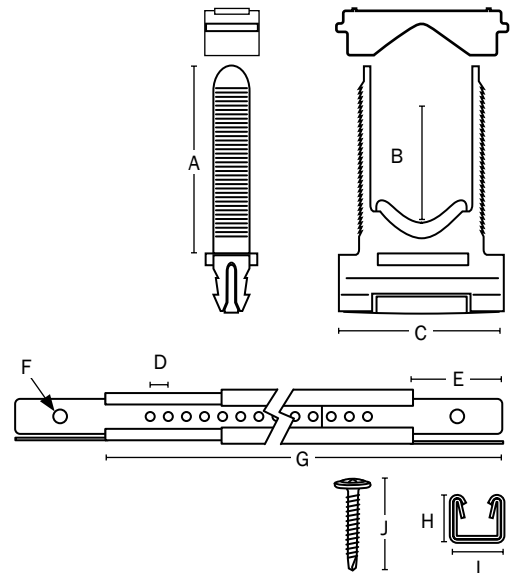
*When adjusting, a 2" overlap in center of bracket is required.

TEMPERATURE RATING

Channel clamps	Temp.	Safe load
	-10°–130°F	70 lbs.
	131°–179°F	38 lbs.
	180°–220°F	12 lbs.

DIMENSIONS

A: Channel clamp post	1 ⁷ / ₈ "
B: Channel clamp capacity	1/4"-1 ¹ / ₈ "
C: Channel clamp base	1 ⁷ / ₈ "
D: Pilot hole spacing	0.203" on center
E: Tab length	1"
F: Tab hole diameter	0.15"
G: Outer/inner bracket length	9"
H: Bracket height	0.529"
I: Bracket width	0.602"
J: Screw length	1"



Made in USA

Create Item Number

523-16A

e.g. **523-1624:** 9"–16" adjustable bracket with two channel clamps and four screws.

BRACKET CONFIGURATION A

_ = no channel clamps; no screws	04 = no channel clamps; six screws
10 = one channel clamp; no screws	14 = one channel clamp; four screws
20 = two channel clamps; no screws	24 = two channel clamps; four screws
30 = three channel clamps; no screws	34 = three channel clamps; four screws