

LAV/SINK OUTLET BOX

» 696 SERIES

OxBox™

SPECIFICATION

Sioux Chief 696 series lav/sink OxBox™ with two 3/8" compression outlet connections shall be used where necessary in residential and commercial plumbing supply systems. Unit shall accommodate supply lines from above or below. Unit shall be available with lead-free, 1/4-turn ball valves with or without water hammer arresters. Valve option shall accommodate all common industry inlet connections. Supply box shall include mounting tabs with holes to secure directly to studs. Each unit shall include galvanized bracket, for between-stud installations. Every unit shall include debris cover for protection during rough-in.

INSTALLATION

Mounting tabs with holes located on each side allows box to be installed directly to stud. Each unit includes adjustable bracket. Insert bracket through molded channel on box. Secure bracket to structure and box with screws (not provided).

MATERIALS

Outlet box: ABS

Frame: fire-rated ABS

Valve body: chrome-plated forged brass

Arrester clip/valve platform: ABS

Arrester body: stainless steel

Piston: glass-filled polypropylene with two EPDM o-rings

Bracket: galvanized steel, 18-ga.

CERTIFICATIONS/APPROVALS

NSF-372 compliant, IAPMO listed

Valves meet ASME A112.18.1

VALVE/ARRESTER WORKING LIMITS

Max working temperature: 250°F

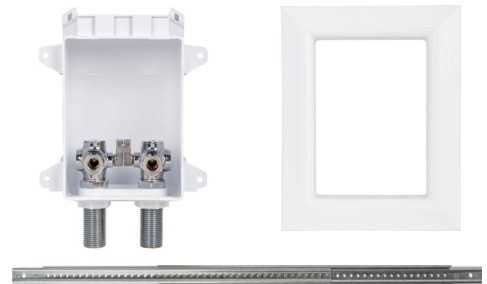
Max testing air pressure: 100 PSIG

Max working/testing water pressure: 250 PSIG

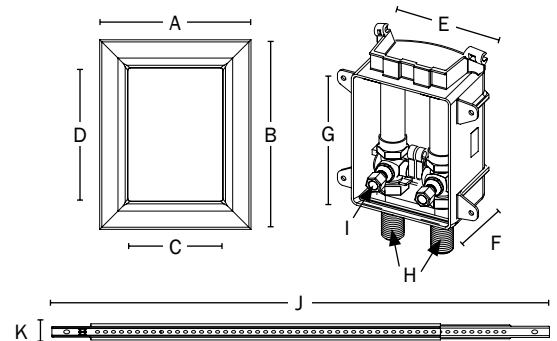
DIMENSIONS

A: Frame width	5¾"	E: Rough-in box width	4"	I: Outlet connections	⅜" compression
B: Frame height	7¼"	F: Rough-in box depth	3½"	J: Bracket length	18"
C: Frame opening width	3⅝"	G: Rough-in box height	5½"	K: Bracket width	⅝"
D: Frame opening height	5⅞"	H: Supply connections	½" nominal		

ITEM # SUBMITTED	_____
JOB NAME	_____
LOCATION	_____
ENGINEER	_____
CONTRACTOR	_____
PO#	_____ TAG _____



696-G2001MF



Create Item Number

696-G20A1BC

e.g. 696-G2011MF: lav/sink supply box with no lead FSWT valves with arresters and frame

ARRESTER A

0 = no arrester
1 = with arrester

SUPPLY CONNECTION B

A = ½" PEX Lock™ F2080
C = ½" male CPVC
M = ½" female sweat
V = ½" Viega® PureFlow® PEX
W = ½" PEX Grip™ F1960
X = ½" PEX Crimp™ F1807

FRAME PACKAGING C

F = standard pack (supply box, frame, bracket, debris cover)
R = rough-in pack (supply box, bracket, debris cover)

Available separately:
Frame only: 696-1F

