

# ADJUSTABLE FLOOR DRAIN WITH DECK FLANGE

» 822 SERIES

Halo™

ITEM # SUBMITTED	_____
JOB NAME	_____
LOCATION	_____
ENGINEER	_____
CONTRACTOR	_____
PO#	_____ TAG _____

## SPECIFICATION

Sioux Chief 822 series adjustable floor drain shall be used where necessary in drainage systems. Floor drain shall have an 18 gauge stainless steel deck/mounting flange and ABS/PVC body with Sch. 40 hub connection. Floor drain shall allow adjustment of 3/4" above the deck flange. Strainer shall be heel-proof and meet applicable load requirements for intended use. Trap primer port shall be threaded 1/2" FIP for optional connection. Designed in accordance with ASME A112.6.3-2001.

## MATERIALS

**Ring/strainer:** nickel-bronze, 301 stainless steel, 430 stainless steel

**Head adapter:** ABS

**Deck flange:** 18-gauge 430 stainless

**Base adapter:** ABS, PVC

## STRAINER LOAD RATING

**Nickel-bronze:** 1,000 lbs. (light duty, pedestrian traffic)

**Stainless steel:** 2,000 lbs. (light duty, pedestrian traffic)

**18GA Stainless steel:** 500 lbs. (light duty, pedestrian traffic)

## STRAINER FREE AREA

**Round:** 7.5 in<sup>2</sup> (22.75 GPM\*)

**Square:** 12.75 in<sup>2</sup> (39 GPM\*)

**18GA:** 5.75 in<sup>2</sup> (17.5 GPM\*)

## DIMENSIONS

A: Connection size**	2"×3" or 3"×4" Sch. 40 hub
B: Ring/strainer diameter	
round / square / 18GA	5 1/2" / 5 7/8" / 5 3/8"
C: Flange diameter	9 1/2"
D: Body diameter	5 7/8"
E: Body height	4 3/8"
F: Adjustable finish height***	
round / square / 18GA	0" - 3/4" / 5/16" - 3/4" / 0" - 1/2"

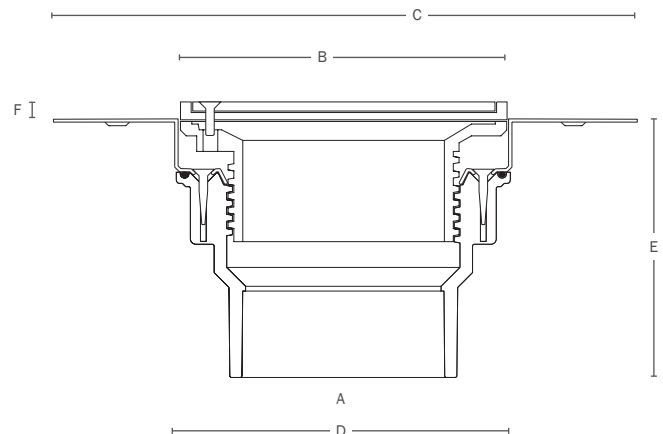
\* indicates the flow rate of the strainer (not necessarily of the fixture) at 1/2" head

\*\* Base adapters fit over 2" / inside 3" or over 3" / inside 4" pipe.

\*\*\* When using optional clamping collar, min dimension is 1/2" for cast ring/strainers



822-3PSQ



## Create Item Number

### 822-ABCD

e.g. **822-3PNRV:** 3" Sch. 40 hub adjustable floor drain with deck flange and round nickel-bronze strainer with vandal-resistant screws

#### A: CLAMPING COLLAR

(skip this option if collar is not needed)

**M** = Clamping collar kit

(No collar is standard, unless otherwise specified)

#### B: CONNECTION

**2A** = 2" ABS Sch. 40 hub

**2P** = 2" PVC Sch. 40 hub

**3A** = 3" ABS Sch. 40 hub

**3P** = 3" PVC Sch. 40 hub

#### C: STRAINER TYPE

**NR** = Round nickel-bronze

**SR** = Round stainless steel

**NQ** = Square nickel-bronze

**SQ** = Square stainless steel

**S** = 18 gauge stainless steel<sup>1</sup>

#### D: OPTIONS

**V** = Vandal-resistant strainer screws

**B** = Complied with Buy American Act<sup>2</sup>

**E** = 1 1/4" extended strainer rim<sup>2</sup>

#### ACCESSORIES

**822-EX3** Threaded extension adapter. Extends head 1 3/4" (min) to 3 3/8" (max) above deck flange

**822-TB** Threaded bushing. Glues over 3" Sch. 40 when using pipe for head extension.

**863-FN** Round nik-brz condensate funnel

**863-FA** Round aluminum condensate funnel

<sup>1</sup> Drain head creates plastic rim around strainer

<sup>2</sup> Available only for round nickel-bronze ring/strainer